

## Surface-Mount Backbox Single-Gang/Dual-Gang

### APPLICATION

A single- and dual-gang housing for surface mount installation in hard wall or open office environments. Compatible with all Leviton QuickPort® and MOS flush-mount wallplates. Accommodates various raceway types.

### FEATURES

- Both backboxes have tie-wrap anchors at each inside raceway entry point.
- Dual-gang backbox has four fiber storage tie-wrap anchors located on base surface.
- Both backboxes are available in two depths: 1.45" and 1.89".
- Screws and tape provided for mounting; optional magnet retention.
- Color choice: ivory, white, grey, black.
- Compatible with all Leviton multimedia wallplates, including QuickPort® wallplates.
- Two-piece construction.

### STANDARDS COMPLIANCE

Meets or exceeds all applicable standards: UL Listed; CSA Certified; complies with TIA/EIA-568-B.

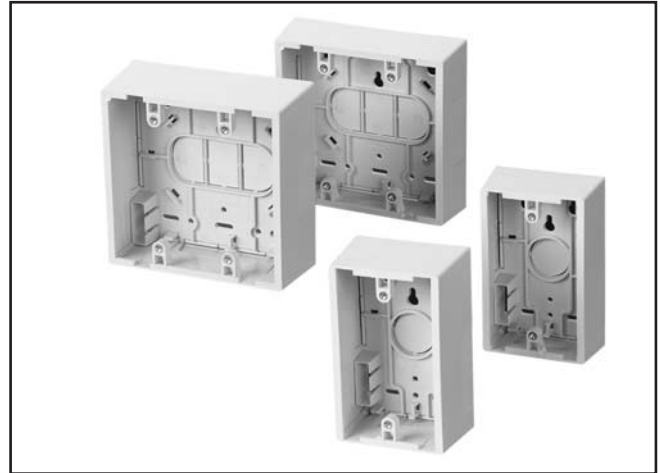
### PHYSICAL SPECIFICATIONS

Dimensions: See second page  
Materials: Fire-retardant plastic rated 94V-0  
Mounting: Use screws (included), adhesive tape (included), or optional magnet mount

### DESIGN CONSIDERATIONS

- Single-gang backbox accepts Leviton MOS, QuickPort Wallplates and any Leviton single-gang wallplate.
- Dual-gang backbox accepts mounting of fiber ring, MOS, QuickPort Dual-Gang Wallplates, and any Leviton dual-gang NEMA style wallplate.
- Backboxes include two-magnet retainers for optional surface mounting with magnets.
- Side and top breakouts accept Wiremold and Panduit raceway or equivalent.
- Rear and side cable access breakout.

See ELECTRONIC FILES for CAD files (.DXF, .DWG, MS-DOS.EPS) on disk



### WARRANTY INFORMATION

For a copy of Leviton product warranties, log on to [www.levitonvoicedata.com/warranty](http://www.levitonvoicedata.com/warranty).

For ELECTRONIC Typical Specs see (.TXT) file on disk.

### TYPICAL SPECIFICATION

Surface Mount Backboxes shall accept NEMA compliant flush-mount plates. Both side and rear cable entry must be provided, with rear cable knockout sized to facilitate cable bend-radius. Backboxes shall have removable base and accommodate two sizes of raceway on sides, top and bottom. Matching shallow and deep versions shall be available. Colors and configurations to be specified per schedule on plan. Backboxes shall be constructed of high-impact, fire-retardant plastic rated UL 94V-0, and be UL Listed, and compliant with TIA/EIA-568-B specifications.



For Technical Support Call 1-425-485-4288; in USA call 1-800-824-3005.  
Spec sheets and updates are also available at [www.levitonvoicedata.com](http://www.levitonvoicedata.com).

2222 - 222nd St. SE • Bothell, WA 98021 USA  
Tel: 1-800-722-2082 / 1-425-485-4288 • Fax: 1-425-483-5270 • Int'l Fax: 1-425-485-9170 • GSA Schedule Available.

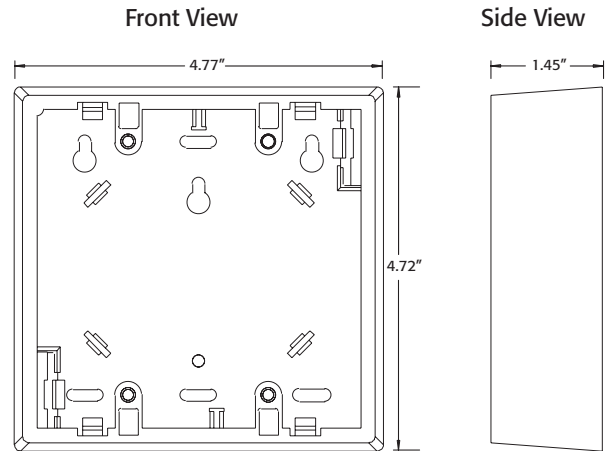
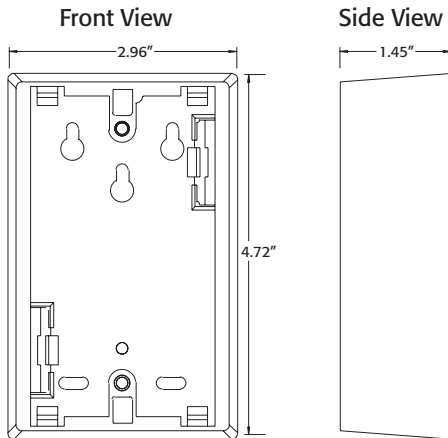
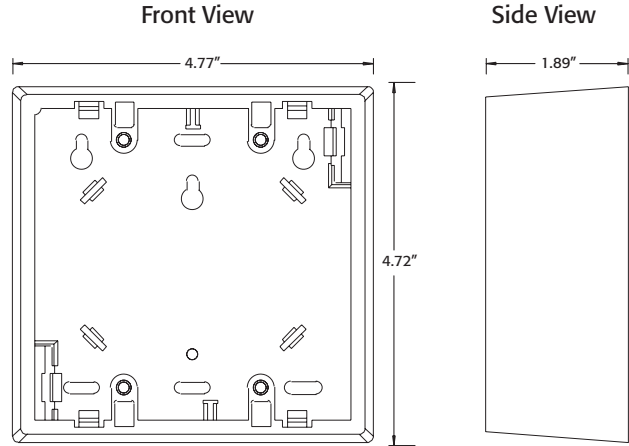
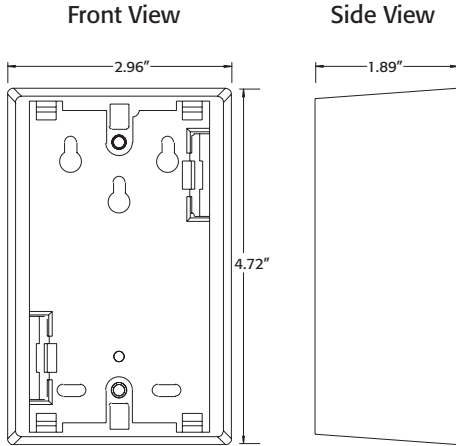


# Surface Mount Backbox Single-Gang/Dual-Gang

**Part Numbers**  
42777-1xx  
42777-2xx

## DIMENSIONAL LINE ART

See ELECTRONIC FILES for CAD images  
(.DXF, .DWG, MS-DOS.EPS)



## PART NUMBERS

Description	Ivory	White	Grey	Black
Single-Gang 1.89" deep	42777-1IA	42777-1WA	42777-1GA	42777-1EA
Single-Gang 1.45" deep	42777-1IB	42777-1WB	42777-1GB	42777-1EB
Dual-Gang 1.89" deep	42777-2IA	42777-2WA	42777-2GA	42777-2EA
Dual-Gang 1.45" deep	42777-2IB	42777-2WB	42777-2GB	42777-2EB



For Technical Support Call 1-425-485-4288; in USA call 1-800-824-3005.  
Spec sheets and updates are also available at [www.levitonvoicedata.com](http://www.levitonvoicedata.com).



2222 - 222nd St. SE • Bothell, WA 98021 USA • Tel: 1-800-722-2082 / 1-425-485-4288 • Fax: 1-425-483-5270 • Int'l Fax: 1-425-485-9170 • GSA Schedule Available.