






SEALING PLUG FOR FREE ROUND CONTROL POINTS
BLACK,
COMPLETE WITH LOCK NUT

Certificates/ approvals:

General Product Approval	Declaration of Conformity	Test Certificates	other
			Special Test Certificate
			Confirmation
			Environmental Confirmations

Further information:

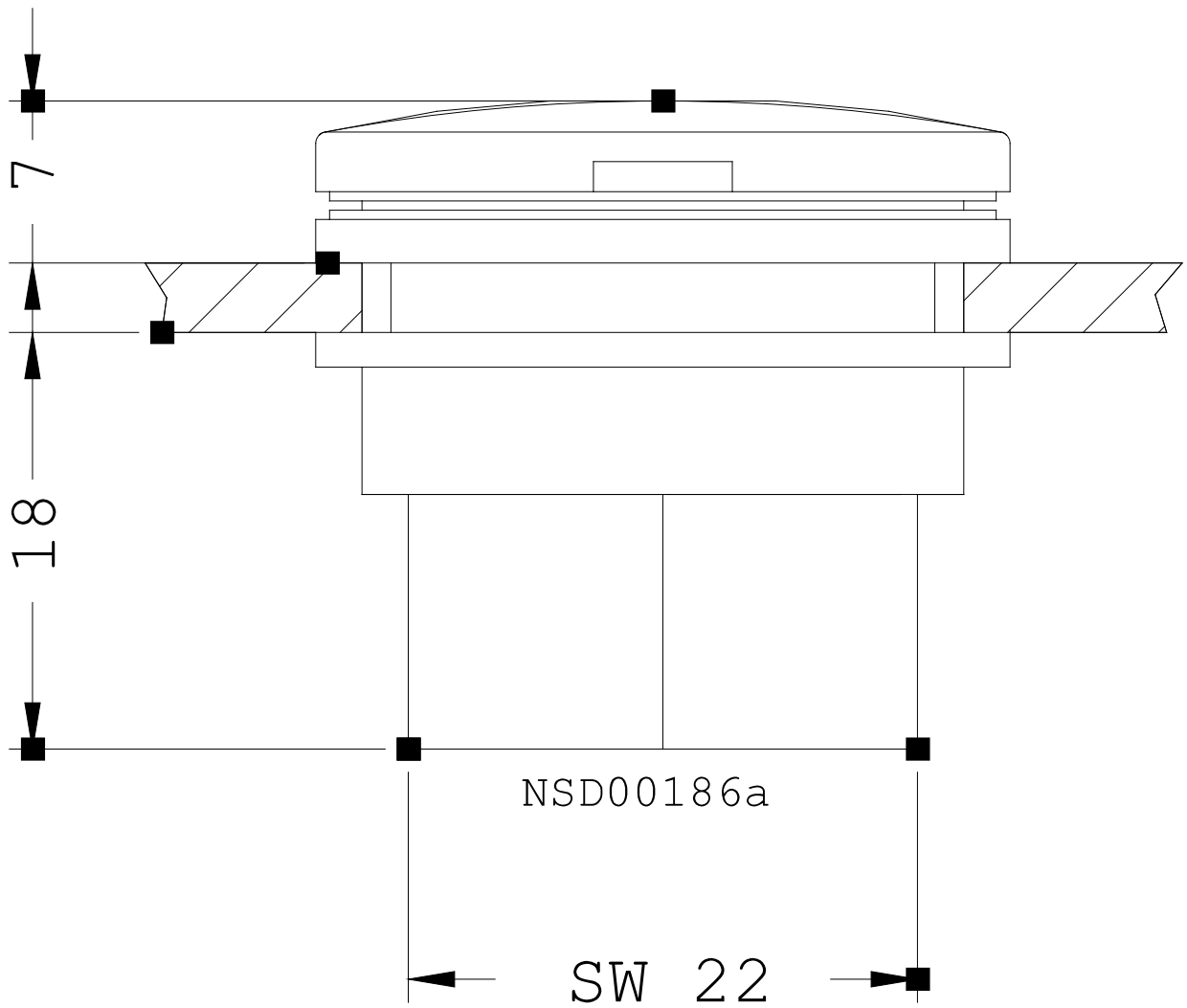
Information- and Downloadcenter (Catalogs, Brochures,...)
<http://www.siemens.com/industrial-controls/catalogs>

Industry Mall (Online ordering system)
<http://www.siemens.com/industrial-controls/mall>

Cax online generator
<http://www.siemens.com/cax>

Service&Support (Manuals, Certificates, Characteristics, FAQs,...)
<http://support.automation.siemens.com/WW/view/en/3SB3921-0AA/all>

Image database (product images, 2D dimension drawings, 3D models, device circuit diagrams, ...)
http://www.automation.siemens.com/bilddb/cax_en.aspx?mlfb=3SB3921-0AA



last change: