

Liquid Tight Connectors

Reusable Fittings

- Industrial specification grade, screw machined steel, zinc plated
- UL Rated Liquid Tight
- Includes sealing washer
- Bonds conduit to box or enclosure
- Corrosion resistant protection from moisture & oils
- Designed to protect against excessive vibration

Straight Connectors

Cat. #	Size	Unit Ctn	Std Pkg	WT/100
STR38	3/8"	20	200	10
STR50	1/2"	20	200	13
STR75	3/4"	20	100	18
STR100	1"	5	50	32
STR125	1-1/4"	5	25	44
STR150	1-1/2"	5	25	66
STR200	2"	5	25	85
STR250**	2-1/2"	-	5	260
STR300**	3"	-	4	360
STR350**	3-1/2"	-	4	445
STR400**	4"	-	2	520
STR500**	5"	-	1	1150

6" connectors available upon request

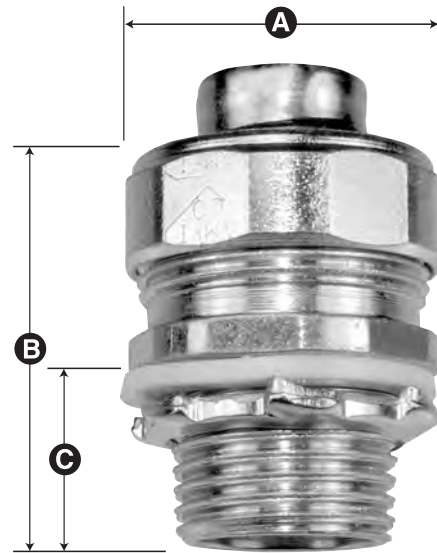
** Malleable Iron

Straight Connectors with Insulated Throat

Cat. #	Size	Unit Ctn	Std Pkg	WT/100
STR38B	3/8"	20	200	10
STR50B	1/2"	20	200	13
STR75B	3/4"	20	100	18
STR100B	1"	5	50	32
STR125B	1-1/4"	5	25	44
STR150B	1-1/2"	5	25	66
STR200B	2"	5	25	85
STR250B**	2-1/2"	-	5	260
STR300B**	3"	-	4	360
STR350B**	3-1/2"	-	4	445
STR400B**	4"	-	2	520
STR500B**	5"	-	1	1150

6" connectors available upon request

** Malleable Iron



E93605



LR61799

Dimensional Table

Cat. #	A Diameter	B Overall Length	C Length of Thread
STR38/B	1.09	1.19	.63
STR50/B	1.19	1.34	.63
STR75/B	1.43	1.43	.63
STR100/B	1.75	1.63	.66
STR125/B	2.16	1.84	.67
STR150/B	2.38	2.00	.72
STR200/B	2.88	2.13	.72
STR250/B	4.00	3.25	1.50
STR300/B	4.63	3.88	1.50
STR350/B	5.50	4.00	1.50
STR400/B	5.82	4.00	1.63
STR500/B	7.00	5.00	1.63

UL rated suitable for hazardous locations

Class I, Div. 2; Class II, Div. 1 and 2;

Class III, Div 1 and 2; NEC 501-4(b), 502-4(a) (2), 503-3(a)



Since 1946