

# Areamaster™ 100 Wide-Beam Floodlights

70 W, 100 W, 150 W HPS; 70 W, 100 W, 150 PSMH

For general, marine and hazardous locations.

## NEC

Class I, Division 2, Groups A, B, C, D  
Marine type electric fixtures, outside type  
(salt water)

## CEC

Class I, Division 2, Groups A, B, C, D  
Class II, Divisions 1 and 2, Groups E, F, G  
Class III  
Marine type electric fixtures, outside type  
(salt water)

## Applications

- Highly efficient, all-weather flood-lighting for lower wattage service. Well suited for:
  - Facades
  - Amusement and recreational areas
  - Parking lots
  - Industrial and marine use

## Features

- Ruggedly built for dependable, vandal resistant service. Attractively styled. Easy to install, aim, add service, with easy access to spacious interior.
- Integral ballast.
- One-piece housing.
- One-piece lens cover. Secured by four 1/4" dia. captive stainless steel slotted hex-head bolts.
- Thermal shock and impact resistant glass lens.
- Heavy duty, high temperature silicone rubber gasket, firmly seated.
- Heavy duty mogul-base porcelain socket with heavy gauge brass, nickel-plated, double lamp-grip screw shell and spring-loaded center contact.
- Parabolic finished aluminum reflector for optimum efficiency.
- Mounting choice:
  - (1) Yoke mount, zinc plated steel yoke with architectural bronze polyester finish
  - (2) Pole mount, built-in slip-fitter, for internal wiring, adjustable laterally and vertically, slip fits 2" or 2-1/2" pipe, architectural bronze polyester finish

## Standard Materials

- Ballast housing and lens cover: copperfree (4/10 of 1% max.) aluminum
- Gasket: silicone rubber
- Socket: heavy duty porcelain with heavy gauge brass shell
- Reflector: finished aluminum
- Yoke mount: zinc plated steel
- Bolts: stainless steel

## Standard Finishes

- Ballast housing, lens cover, yoke and pole mount: architectural bronze polyester
- Socket: nickel-plated

## Certifications and Compliances

- UL Standard: UL 1598, UL 1598A, UL 844
- UL Listed: E10794
- CSA Certified: LR25428



Yoke Mount



Pole Mount

CSA Certification only.

Visit our website at [www.appletonelec.com](http://www.appletonelec.com) or contact us at (800) 621-1506.  
© September 2010



# Areamaster™ 100 Wide-Beam Floodlights

70 W, 100 W, 150 W HPS

For general, marine and hazardous locations.

**NEC**

Class I, Division 2, Groups A, B, C, D  
Marine type electric fixtures, outside type  
(salt water)

	Lamp Watts	Lamp Type	Line Voltages	Catalog Number		
				Marine Yoke Mount ❶ for Class I, Division 2 Classified Duty	Yoke Mount ❶ for General Duty	Slip-Fit Mount ❷
	70	HPS	120/208/240/277	G-AM271L-MT-I/2	G-AM271L-MT	G-AM275L-MT
	70	HPS	480	G-AM271L-48-I/2	G-AM271L-48	G-AM275L-48
<b>Yoke Mount</b>	100	HPS	120/208/240/277	G-AM371L-MT-I/2	G-AM371L-MT	G-AM375L-MT
	100	HPS	480	G-AM371L-48-I/2	G-AM371L-48	G-AM375L-48
	150	HPS	120/208/240/277	G-AM471L-MT-I/2	G-AM471L-MT	G-AM475L-MT
	150	HPS	480	G-AM471L-48-I/2	G-AM471L-48	G-AM475L-48
<b>Pole Mount</b>						

**Electrical Specifications**

Line Voltage	Type of Ballast	Starting Amps	Operating Amps	Total Watts
<b>70 Watt High Pressure Sodium</b>				
120	HX-HPR	0.90	0.82	94
208	HX-HPR	0.50	0.48	94
240	HX-HPR	0.44	0.41	94
277	HX-HPR	0.35	0.36	94
480	HX-HPR	0.21	0.21	94
<b>100 Watt High Pressure Sodium</b>				
120	HX-HPR	1.30	1.15	130
208	HX-HPR	0.76	0.67	130
240	HX-HPR	0.66	0.60	130
277	HX-HPR	0.60	0.52	130
480	HX-HPR	0.33	0.31	135
<b>150 Watt High Pressure Sodium</b>				
120	HX-HPR	2.00	1.70	188
208	HX-HPR	1.16	0.95	188
240	HX-HPR	1.00	0.85	188
277	HX-HPR	0.85	0.72	188
480	HX-HPR	0.50	0.47	188

**T Numbers and Temperature Ratings of "Classified Duty"**

Lamp Watts	T Rating	Ambient Temperature (°F/°C)	T Rating Temperature Range (°F/°C)
70	<b>T3</b>	104/40	358-392/181-200
100	<b>T2C</b>	104/40	421-446/216-230
150	<b>T2</b>	104/40	538-572/281-300

LIGHTING: ENCLOSED AND GASKETED – FLOODLIGHT

- ❶ Adjustable yoke mounts directly or with adapters.
- ❷ Internally wired, adjustable slip-fit mount for 2" or 2-1/2" pipe.

# Areamaster™ 100 Wide-Beam Floodlights

70 W, 100 W, 150 W HPS; 70 W, 100 W, 150 PSMH

For general, marine and hazardous locations.



CEC <sup>1,2</sup>

Class I, Division 2, Groups A, B, C, D

Class II, Divisions 1 and 2, Groups E, F, G <sup>1,2</sup>

Class III

Marine type electric fixtures, outside type  
(salt water)

		Catalog Number					
Lamp Watts	Lamp Type	Line Voltages	Marine Yoke Mount <sup>1</sup>		Yoke Mount <sup>1</sup> for General Duty	Slip-Fit Mount <sup>2</sup> Class I, Division 2	Slip-Fit Mount <sup>2</sup>
			Class I, Division 2, Class II, Division 1 & 2 Class III				
 Yoke Mount	70	HPS	120/208/240/277	G-AM271L-MT-I/2CN	G-AM271L-MTCN	G-AM275L-MT-I/2CN	G-AM275L-MTCN
	70	HPS	120/277/347	G-AM271L-TT-I/2CN	G-AM271L-TTCN	G-AM275L-TT-I/2CN	G-AM275L-TTCN
	100	HPS	120/208/240/277	G-AM371L-MT-I/2CN	G-AM371L-MTCN	G-AM375L-MT-I/2CN	G-AM375L-MTCN
	100	HPS	120/277/347	G-AM371L-TT-I/2CN	G-AM371L-TTCN	G-AM375L-TT-I/2CN	G-AM375L-TTCN
	150	HPS	120/208/240/277	G-AM471L-MT-I/2CN	G-AM471L-MTCN	G-AM475L-MT-I/2CN	G-AM475L-MTCN
 Slip-Fit	150	HPS	120/277/347	G-AM471L-TT-I/2CN	G-AM471L-TTCN	G-AM475L-TT-I/2CN	G-AM475L-TTCN
	70	PSMH	120/208/240/277	G-AM271H-MT-I/2CN	G-AM271H-MTCN	G-AM275H-MT-I/2CN	G-AM275H-MTCN
	70	PSMH	120/277/347	G-AM271H-TT-I/2CN	G-AM271H-TTCN	G-AM275H-TT-I/2CN	G-AM275H-TTCN
	100	PSMH	120/208/240/277	G-AM371H-MT-I/2CN	G-AM371H-MTCN	G-AM375H-MT-I/2CN	G-AM375H-MTCN
	100	PSMH	120/277/347	G-AM371H-TT-I/2CN	G-AM371H-TTCN	G-AM375H-TT-I/2CN	G-AM375H-TTCN
150	PSMH	120/208/240/277	G-AM471H-MT-I/2CN	G-AM471H-MTCN	G-AM475H-MT-I/2CN	G-AM475H-MTCN	
150	PSMH	120/277/347	G-AM471H-TT-I/2CN	G-AM471H-TTCN	G-AM475H-TT-I/2CN	G-AM475H-TTCN	

## Electrical Specifications

Line Voltage	Type of Ballast	Starting Amps	Operating Amps	Total Watts
<b>70 Watt High Pressure Sodium</b>				
120	HX-HPR	0.90	0.82	94
208	HX-HPR	0.50	0.48	94
240	HX-HPR	0.44	0.41	94
277	HX-HPR	0.35	0.36	94
347	HX-HPF	0.30	0.30	94
480	HX-HPR	0.21	0.21	94
<b>100 Watt High Pressure Sodium</b>				
120	HX-HPR	1.30	1.15	130
208	HX-HPR	0.76	0.67	130
240	HX-HPR	0.66	0.60	130
277	HX-HPR	0.60	0.52	130
347	HX-HPF	0.45	0.39	130
480	HX-HPR	0.33	0.31	135
<b>150 Watt High Pressure Sodium</b>				
120	HX-HPR	2.00	1.70	188
208	HX-HPR	1.16	0.95	188
240	HX-HPR	1.00	0.85	188
277	HX-HPR	0.85	0.72	188
347	HX-HPF	0.52	0.56	188
480	HX-HPR	0.50	0.47	188

Line Voltage	Type of Ballast	Starting Amps	Operating Amps	Total Watts
<b>70 Watt Pulse Start Metal Halide</b>				
120	HX-HPF	0.80	0.85	95
208	HX-HPF	0.50	0.52	95
240	HX-HPF	0.43	0.44	95
277	HX-HPF	0.39	0.39	95
347	HX-HPF	0.20	0.28	88
480	HX-HPF	0.26	0.23	95
<b>100 Watt Pulse Start Metal Halide</b>				
120	HX-HPF	1.20	1.15	130
208	HX-HPF	0.70	0.70	130
240	HX-HPF	0.61	0.58	130
277	HX-HPF	0.55	0.50	130
347	HX-HPF	0.40	0.40	129
480	HX-HPF	0.30	0.35	140
<b>150 Watt Pulse Start Metal Halide</b>				
120	HX-HPF	1.75	1.60	188
208	HX-HPF	1.30	1.00	188
240	HX-HPF	0.85	0.80	188
277	HX-HPF	0.77	0.70	188
347	Super C.W.A.	0.65	0.55	185
480	Super C.W.A.	0.45	0.42	185

## T Numbers and Temperature Ratings of "Classified Duty"

Lamp Watts	T Rating	Ambient Temperature (°F/°C)	T Rating Temperature Range (°F/°C)
70	T3	104/40	358-392/181-200
100	T2C	104/40	421-446/216-230
150	T2	104/40	538-572/281-300

<sup>1</sup> Adjustable yoke mounts directly or with adapters.

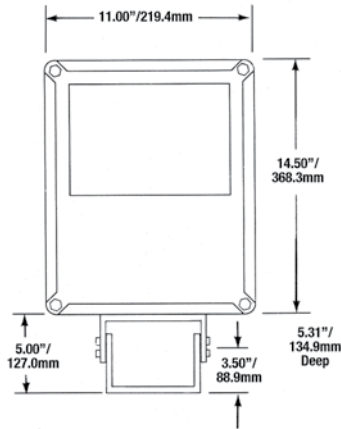
<sup>2</sup> Internally wired, adjustable slip-fit mount for 2" or 2-1/2" pipe.

<sup>1,2</sup> CSA Certification only.

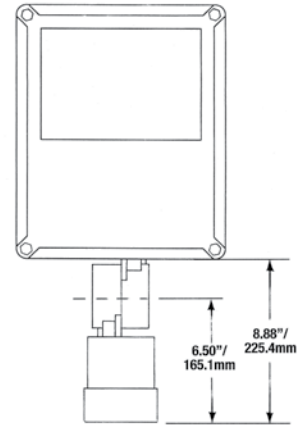
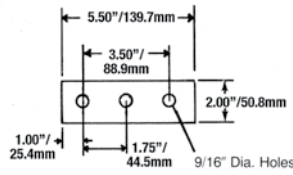
# Areamaster™ 100 Wide-Beam Floodlight Dimensions

70 W, 100 W, 150 W HPS; 70 W, 100 W, 150 PSMH

For general, marine and hazardous locations.

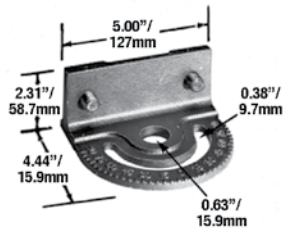


Yoke Mount

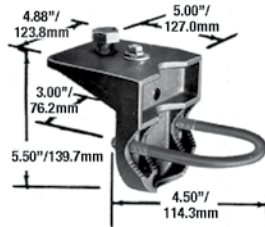


Fits 2" thru 2-1/2" pipe size

Pole Mount



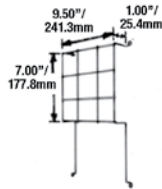
Crossarm Mounting Bracket



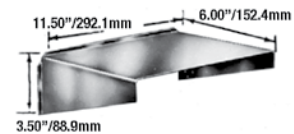
Pipe or Wall Mount Bracket



Poletop Slip-Fitter



Wire Guard



Top Visor

LIGHTING: ENCLOSED AND GASKETED - FLOODLIGHT

# Areamaster™ 100 Wide-Beam Floodlight Photometric Data

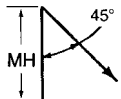
70 W, 100 W, 150 W HPS; 70 W, 100 W, 150 PSMH

For general, marine and hazardous locations.

Catalog Number	Lamp	Photometric Data
G-AM471L-MT	Watts	150
	Lumens	16,000
	Bulb	E-23-1/2 Clear
	Light Center Lgth.	5"
	Base	Mogul Screw
		Vertical Spread 115°
		Beam Lumens 8148
		Beam Efficiency 50.9%
		Max. CP. 5155
		Total Lumens 8552
		Total Efficiency 53.5%
G-AM371L-MT	Watts	100
	Lumens	9500
	Bulb	E-23-1/2 Clear
	Light Center Lgth.	5"
	Base	Mogul Screw
		Vertical Spread 115°
		Beam Lumens 4838
		Beam Efficiency 50.9%
		Max. CP. 3061
		Total Lumens 5062
		Total Efficiency 53.3%
G-AM271L-MT	Watts	70
	Lumens	5800
	Bulb	E-23-1/2 Clear
	Light Center Lgth.	5"
	Base	Mogul Screw
		Vertical Spread 113°
		Beam Lumens 2982
		Beam Efficiency 51.4%
		Max. CP. 2025
		Total Lumens 3124
		Total Efficiency 53.9%

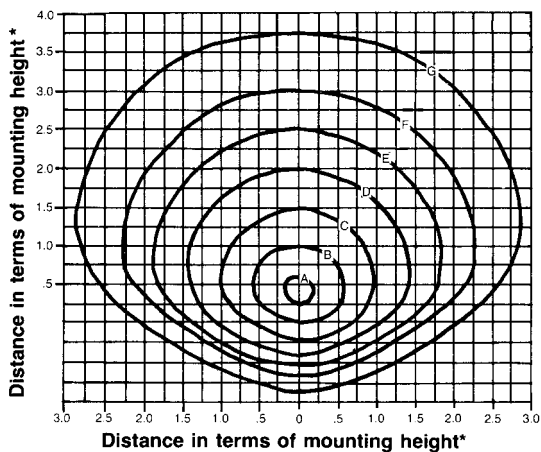
## Total Footcandle Value ‡

150 Watt High Pressure Sodium – Clear 16,000 Lumens



## Footcandles for Iso-FTC Lines

Lamp Watts	Mounting Height (Ft/M)	Ratio of Distance to Height						
		0.63 A	1.00 B	1.50 C	2.00 D	2.50 E	3.00 F	3.75 G
150	10/3.0	31.25	18.23	8.06	3.41	1.63	0.86	0.38
	20/6.1	7.81	4.56	2.02	0.85	0.41	0.22	0.10
	30/9.1	3.47	2.03	0.90	0.38	0.18	0.10	0.04
100	10/3.0	18.44	10.76	4.76	2.01	0.96	0.51	0.22
	20/6.1	4.61	2.69	1.19	0.50	0.24	0.13	0.06
	30/9.1	2.05	1.20	0.53	0.22	0.11	0.06	0.02
70	10/3.0	11.25	6.56	2.90	1.23	0.59	0.31	0.14
	20/6.1	2.81	1.64	0.73	0.31	0.15	0.08	0.04
	30/9.1	1.25	0.73	0.32	0.14	0.06	0.04	0.01



LIGHTING: ENCLOSED AND GASKETED – FLOODLIGHT

‡ Photometric charts available upon request.

\* (i.e. ratio of distance to height. Example: @ 15'/4.6 m mounting height, 1 means 15'/4.6 m, 2 means 30'/9.1 m, etc.)