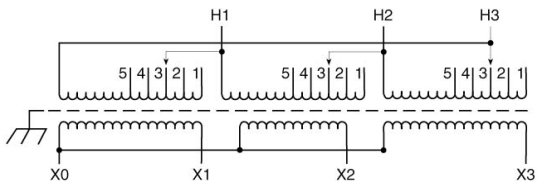
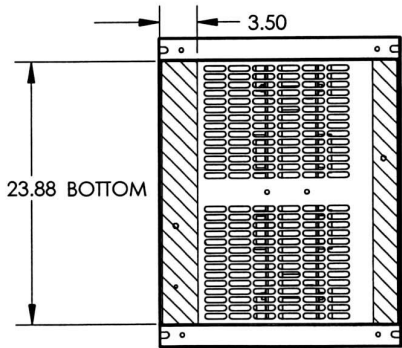
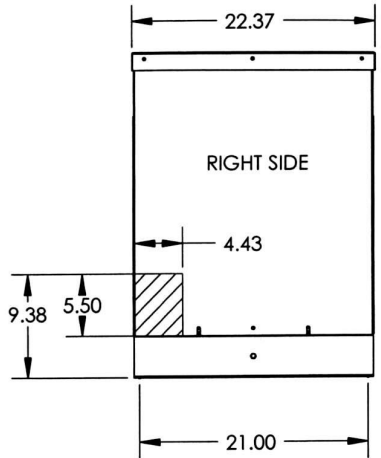
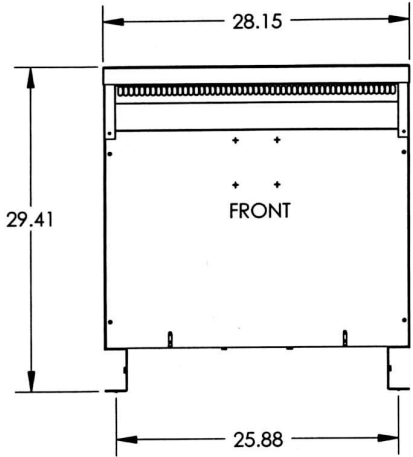


Revisions



Primary Volts	%	Connect Leads to Tap No.
483	105	1
472	102.5	2
460	100	3
449	97.5	4
437	95	5

Secondary Volts		
460		X1, X2, X3
266		X1 & X0
1 phase		X2 & X0
		X3 & X0



NOTE: PRIMARY AND SECONDARY BUS AREA IN FRONT OF CASE.

KEY: DENOTES CONDUIT AREAS



Type No.

DRAWN:

CASE 2

KVA	CATALOG NUMBER	VOLTAGE		WEATHER SHIELD	WEIGHT	PHASE	FREQ.
		HIGH	LOW				
63	DTGB-063-4S	460Δ	460Y/266	WS-A-2	505 Lbs	3φ	60 Hz

Winding Rise:	150°C
Insulation:	220°C
Sound Level:	50db

TYPICAL PERFORMANCE DATA

Regulation @ 100% PF:	
Standards:	UL/CSA

Windings:	AL
Impedance:	5.62%

Typical Efficiency:	
No Load Losses:	
Full Load Losses:	

		Control	
		7	A