

## DESCRIPTION

6/7-inch LED recessed retrofit converts existing 6/7-inch HID, incandescent, compact fluorescent downlights to energy saving LED. Simple below ceiling installation without removing the existing fixture available with narrow beam, medium beam, wide beam and wall wash reflectors. Standard 120-277V 0-10V combined with 120V trailing edge driver allows dimming without additional wiring. Two stage reflector system produces smooth distribution with excellent light control and low aperture brightness. Lumen packages include 1000, 1500, 2000 and 3000 lumens with color temperatures of 2700K, 3000K, 3500K and 4000K in 80 or 90 CRI.

## SPECIFICATION FEATURES

### Lower Shielding Reflector

Self-flanged, spun .050" thick aluminum lower reflector in combination with a lensed upper optical chamber provides superior lumen output with minimal source brightness. Available in all Portfolio Alzak® finishes.

### Trim Retention

Lower reflector is retained with two torsion springs holding the flange tightly to the finished ceiling surface.

### Retrofit ring

Galvanized steel ring installs with 2 mouse trap springs for secure installation and accommodates up to 2 inch ceiling thickness. Installs in ceiling openings from 6.5" to 7". Pre-wired flexible conduit with snap in connector installs into 1/2" knockout on the existing junction. Oversized spun aluminum trim ring installs over reflector to conceal ceiling opening.

### Thermal

Extruded aluminum heat sink conducts heat away from the LED module for optimal performance and longer life.

### LED

LED system contains a plurality of high brightness white LED's combined with a high reflectance upper reflector and convex transitional lens producing even distribution with no pixilation. Rated for 50,000 hours at 70% lumen maintenance. Auto resetting, thermally protected, LED's are turned off when safe operating temperatures are exceeded. Color variation within 3-step MacAdam ellipses. Flexible disconnect allows for tool-less replacement of LED engine from below ceiling. Available in 80 or 90 CRI.

### Driver

Combination 120-277V 0-10V or 120V trailing edge driver provides flicker free dimming from 100% to 10%. Optional 1% 0-10V, Fifth Light, DMX or Lutron® Ecosystem. Driver can be serviced from above or through the aperture.

### Code Compliance

Thermally protected and cULus certified for protected wet locations. Optional City of Chicago environmental air (CCEA) marking

<b>Catalog #</b>		<b>Type</b>
<b>Project</b>		
<b>Comments</b>		<b>Date</b>
<b>Prepared by</b>		

for plenum applications. EMI/RFI emissions per FCC 47CFR Part 18 Class B consumer limits. Non-IC rated - Insulation must be kept 3" from top and sides of housing. RoHS Compliant. Title 24 Compliant with designated trims. Photometric testing completed in accordance with IES LM 79 standards. LED life testing completed in accordance with LM 80 standards.

### Warranty

5 year warranty.



## LD67ART

- 1000 Lumen LED
- 1500 Lumen LED
- 2000 Lumen LED
- 3000 Lumen LED

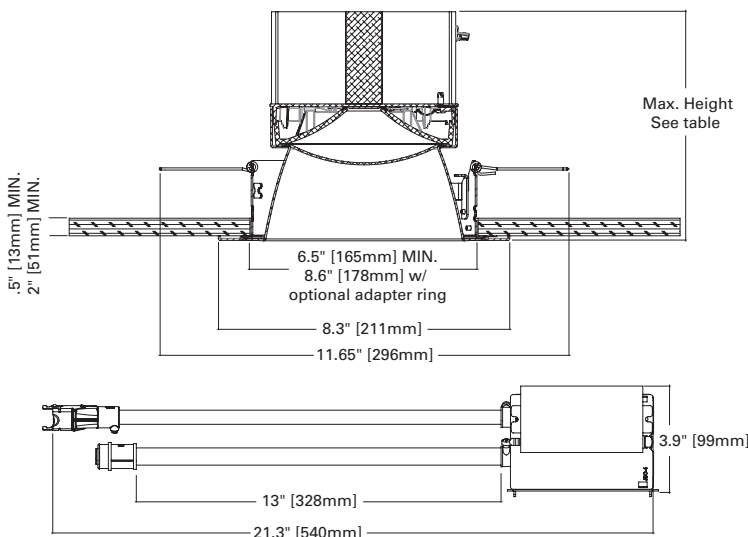
6-Inch

ENERGY DATA	
Sound Rating: Class A standards	
<b>3000 Lumen DE10</b>	
(Values at non-dimming line voltage)	
Minimum Starting Temperature: -20°C (-4°F)	
EMI/RFI: FCC Title 47 CFR, Part 15, Class B (Consumer)	
Input Voltage: UNV (120V - 277V)	
Power Factor: >0.90 (at nominal input 120/230/240/277 VAC & 100% of Rated Output Power)	
Input Power: 43.4W	THD: <17%
120V Input Current: .36A	277V Input Current: .16A
Maximum Non-IC Ambient Continuous	
Input Frequency: 50-60Hz	

<b>2000 Lumen D010TE</b>	
(Values at non-dimming line voltage)	
Minimum Starting Temperature: -30°C (-22°F)	
EMI/RFI: FCC Title 47 CFR, Part 15, Class B (Consumer)	
Input Voltage: UNV (120V - 277V)	
Power Factor: >0.90 (at nominal input 120-277 VAC & 100% of Rated Output Power)	
Input Power: 31.5W	THD: <20%
120V Input Current: .27A	277V Input Current: .12A
Maximum Non-IC Ambient Continuous	
Input Frequency: 50-60Hz	

<b>1500 Lumen D010TE</b>	
(Values at non-dimming line voltage)	
Minimum Starting Temperature: -30°C (-22°F)	
EMI/RFI: FCC Title 47 CFR, Part 15, Class B (Consumer)	
Input Voltage: UNV (120V - 277V)	
Power Factor: >0.90 (at nominal input 120/277 VAC & 100% of Rated Output Power)	
Input Power: 22.4W	THD: <20%
120V Input Current: .12A	277V Input Current: .09A
Maximum Non-IC Ambient Continuous	
Input Frequency: 50-60Hz	

<b>1000 Lumen D010TE</b>	
(Values at non-dimming line voltage)	
Minimum Starting Temperature: -30°C (-22°F)	
EMI/RFI: FCC Title 47 CFR, Part 15, Class B (Consumer)	
Input Voltage: UNV (120V - 277V)	
Power Factor: >0.90 (at nominal input 120/277 VAC & 100% of Rated Output Power)	
Input Power: 14.1W	THD: <20%
120V Input Current: .12A	277V Input Current: .06A
Input Frequency: 50-60Hz	



Distribution	Lumens	Max Height
Narrow	1000/1500	6 3/16"
Medium	1000/1500	6 9/16"
Wide	1000/1500	5 5/8"
Narrow	2000/3000	8 3/16"
Medium	2000/3000	8 9/16"
Wide	2000/3000	6 1/2"



Refer to ENERGY STAR® Qualified Products List. Can be used to comply with California Title 24 High Efficacy requirements. Certified to California Title 20 Appliance Efficiency Database.



EXAMPLE: LD67ART ERM6A15835 6LM0LI=6" LED Medium Beam Reflector, 1500 Lumen 3,500 K Color with Universal 120 - 277V, 0 - 10 Driver

Housing	Lumens <sup>1</sup>	Driver	Options	Power Module	Lumens	CRI	Color
<p><b>LD67ART</b>=6" Aperture LED Downlight Retrofit</p> <p><b>LD67ARTCP</b>=6" Aperture LED Downlight Retrofit, Chicago Plenum</p> <p>10=1000 Lumens 15=1500 Lumens 20=2000 Lumens 30=3000 Lumens</p>	<p><b>1000, 1500, 2000 and 3000 Lumen</b>  <b>D010TE</b>=120-277V 0-10V 10% Dimming or Trailing Edge 120V Dimming  <b>D5LT</b>=Fifth Light® (DALI) Dimming 1-100%  <b>DE010</b>=1 to 100% Dimming, 120-277V 50/60Hz, 0-10V  <b>DL3</b>=1 to 100% Dimming, 120-277V Lutron® Hi-Lume, Ecosystem or 3 Wire  <b>DLT</b>=1 to 100% Dimming, 120V Lutron® Hi-Lume Forward Phase Dimming  <b>DMX</b>=DMX Dimming 1-100%</p> <p><b>1000, 1500 and 2000 Lumen</b>  <b>D010TR</b>=120-277V 0-10V 10% Dimming or Leading Edge 120V Dimming</p>	<p><b>EMBOD</b>= Bodine® Emergency Module with Remote Test Switch <sup>2</sup></p>	<p><b>ERW6A</b>=6" Module for Wide Beam Reflector  <b>ERM6A</b>=6" Module for Medium Beam Reflector  <b>ERN6A</b>=6" Module for Narrow Beam Reflector</p>	<p>10=1000 Lumens 15=1500 Lumens 20=2000 Lumens 30=3000 Lumens</p>	<p>8=80 CRI 9=90 CRI</p>	<p>27=2700° K 30=3000° K 35=3500° K 40=4000° K 27CP=2700° K, Chicago Plenum 30CP=3000° K, Chicago Plenum 35CP=3500° K, Chicago Plenum 40CP=4000° K, Chicago Plenum</p>	

Reflector	Finish	Options	Accessories
<p><b>6LW0</b>=Wide Beam Reflector with White Polymer Trim Ring  <b>6LW1</b>=Wide Beam Reflector with Self Flange  <b>6LM0</b>=Medium Beam Reflector with White Polymer Trim Ring  <b>6LM1</b>=Medium Beam Reflector with White Polymer Trim Ring  <b>6LN0</b>=Narrow Beam Reflector with White Polymer Trim Ring  <b>6LN1</b>=Narrow Beam Reflector with Self Flange  <b>6LW111</b>=6" Wide Reflector, Single Wall Wash, Self-flanged <sup>3</sup>  <b>6LW110</b>=6" Wide Reflector, Single Wall Wash, Polymer Trim Ring <sup>3</sup></p>	<p><b>LI</b>=Specular Clear  <b>H</b>=Semi-Specular Clear  <b>WMH</b>=Warm Haze  <b>G</b>=Specular Gold  <b>WH</b>=Wheat  <b>WHH</b>=Wheat Haze  <b>GP</b>=Graphite  <b>GPH</b>=Graphite Haze</p>	<p><b>B</b>=Specular Black  <b>W</b>=Gloss White</p> <p><b>6LM0, 6LW0 Only</b>  <b>BB</b>=Black Baffle  <b>WB</b>=White Baffle</p>	<p><b>Self-flanged Only</b>  <b>WF</b>=White Painted Flange</p> <p><b>LGSKT6IP66</b>=IP66 Gasket Kit  <b>ABR8P</b>=Oversize Trim Ring for 8" max opening - 9.3" OD</p>

Notes: 1 Nominal Lumens will vary depending on selected color, driver and reflector finish.  
 2 Not available with Chicago Plenum.  
 3 Damp location listed.

**See Portfolio LED New Construction (LD6A Series) Specification Sheets for Photometric Data.**

**HOUSING COMPATIBILITY**

Manufr.	Series	Nom. Size	Housing Aperture	Housing Catalog #	Oversize Trim Ring	Retrofit Kit	Goof Ring
Juno	Indy Performance Series (Elate)	6	6.563	A6, C6, M6	6-1/2" MIN 8" MAX	LD67ART	ABR7 (included)
Juno		6	6.563	CH6, CV6, MX6, TC906			
Lithonia	Commercial	6	6.750	LF6, LP6			
Philips	Lightolier Lytecaster	6	6.750	1102			
Lithonia	Gotham	6	6.750	AF and LG			
Cooper	Portfolio CFL (New)	6	6.750	CD6			
Cooper	Halo	7	6.875	M700, H600, H803E			
Cooper	Halo Commercial	6	7.125	PD6 (New)			
Philips	Lightolier Calculte	7	7.500	S7 and CS7			
Cooper	PDS	7	7.625	PD7			
Cooper	Portfolio	7	7.700	C7, CLW7, HD7, MD7	6-1/2" MIN 9" MAX	LD67ART	ABR8 (accessory)
Juno	Indy Performance Series (Elate)	8	7.813	A8, C8, M8			
Juno		8	7.813	CH8 and CV8			
Cooper	Halo	8	7.875	H42T and H46T			
Juno		8	8.188	MX8 and TC908			
Lithonia	Gotham	8	8.438	AF and LG			
Lithonia	Gotham	8	8.563	GRSF			
Philips	Omega	8	8.563	OM8			
Lithonia	Commercial	8	8.563	LF8, LP8			

**Note:** Retrofit kit includes oversize trim ring.



Eaton  
 1121 Highway 74 South  
 Peachtree City, GA 30269  
 P: 770-486-4800  
 www.eaton.com/lighting

Specifications and dimensions subject to change without notice.