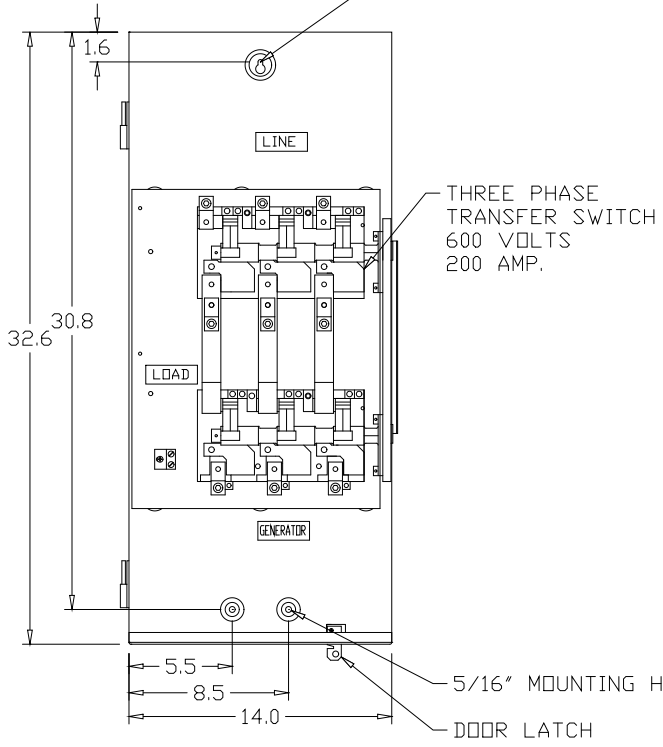
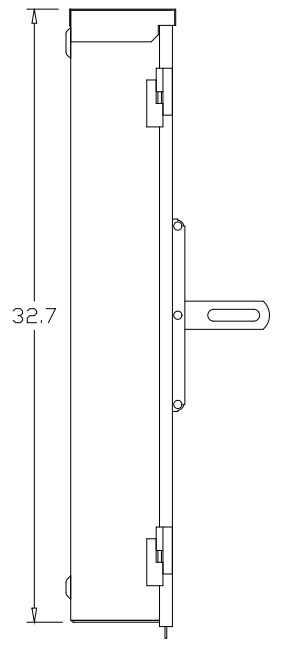


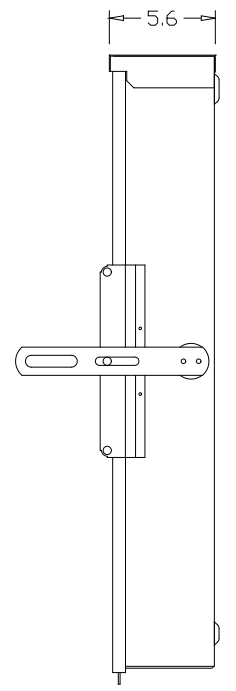
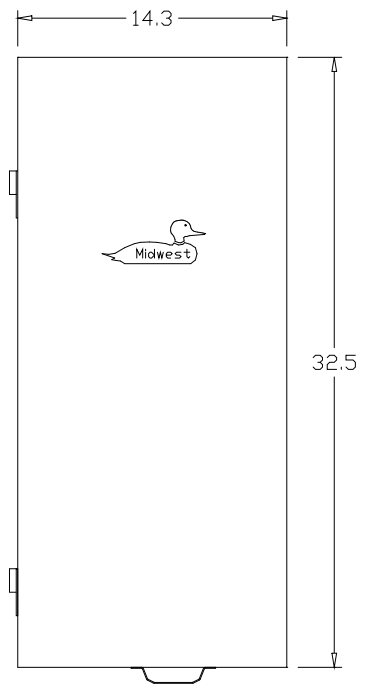
2-1/2" HUB HOLE

- NOTES:
- USE ONE #6-250 MCM CU/AL WIRE PER LUG FOR 200 AMP SWITCH
  - EQUIP. GRD.-#14-1/0 CU/AL

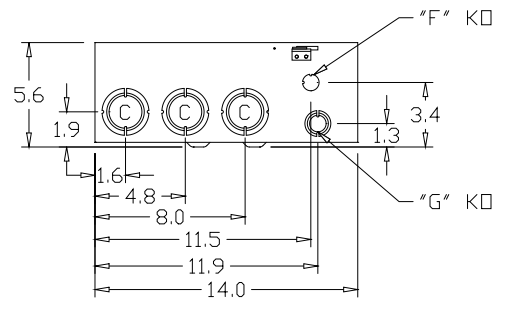
1/4" MOUNTING HANGER



THREE PHASE TRANSFER SWITCH  
600 VOLTS  
200 AMP.




5/16" MOUNTING HOLE (2X)  
DOOR LATCH



**KNOCKOUT TABLE:**

F= 1/2" KO  
 G= 1/2", 3/4", 1" KO  
 C= 1-1/4", 1-1/2", 2" KO

SH4

MIDWEST ELECTRIC PRODUCTS, INC. Mankato, MN 	* = Critical To Quality		TITLE: GS3262B25UL	
	Unless Otherwise Specified		AutoCad Generated	
Dr. By: JDE	Tolerances On: 3 Pl. Decimals ± .010	SCALE 1 : 1	SIZE A	DWG NO: 265A6102
Ck. By:	2 Pl. Decimals ± .030			
CR: R0815611	Fractions ± 1/32			
	Angles ± 1/2°			
	Holes ± .003			
	Dimensions Are In Inches	SHEET 1	OF 1	

Rev.1 CR R0815611 JE 3-3-08