

4

5

2

208C2473

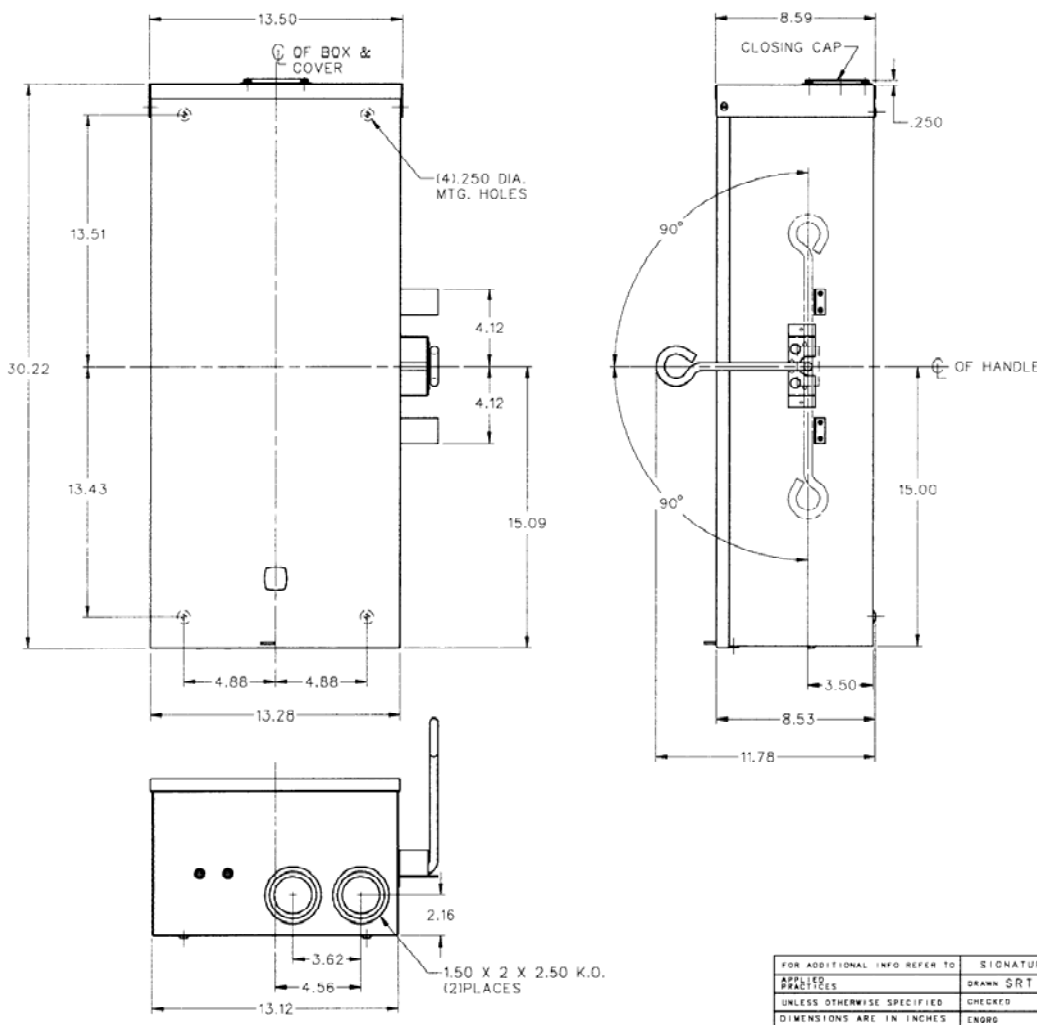
2

1

REVISIONS			
REV	DESCRIPTION	DATE	APPROVED
1	92PD002	1-31-92	SRT
2	92PD002A	6-1-92	SRT

CAT. NO.	MOD. NO.	POLES	AMPS
TC10324R		2	
TC10424R	8	3	200

UNIVERSAL HUB	
CONDUIT SIZE	CAT. NO.
.75	TC75
1.00	TC100
1.25	TC125
1.50	TC150
2.00	TC200
2.50	TC250
CLOSING CAP	TCCP

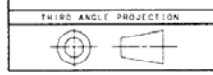


SPEC-SETTER SAFETY SWITCH
200A OUTDOOR SWITCH OUTLINE

GE (USA) CONFIDENTIAL AND PROPRIETARY
 This GE document contains confidential and proprietary information of GE Electrical Distribution & Control (ED&C). It is loaned on condition that it and the information therein shall not be used by recipient nor be disclosed to others except as expressly approved by ED&C. Any document containing such information shall be returned on request.

FOR ADDITIONAL INFO REFER TO	SIGNATURES	DATE
APPLIED PRACTICES	DRAWN SRT	3-28-91
UNLESS OTHERWISE SPECIFIED	CHECKED	
DIMENSIONS ARE IN INCHES	ENGRD	
TOLERANCES ON:	ISSUED	
2 PL. DECIMALS: .02		
3 PL. DECIMALS: .005		
ANGLES: 1°		
FRACTIONS: ✓		
•CALMA• GENERATED	DRAWING FILE D1404067	
	MODEL FILE	

GE ED&C PLAINVILLE, CONN.	
TITLE 200A O/D SW OUTLINE	
FIRST MADE FOR TC DOUBLE THROW SWITCH	
SIZE C CAGE CODE	DWG NO 208C2473
SCALE	CONT'D ON SH. SH. NO. 2



4

3

2

1

208C2473
 2
 1
 208C2473
 2
 1