

## RSR Series 45° Aluminum Cord Grips

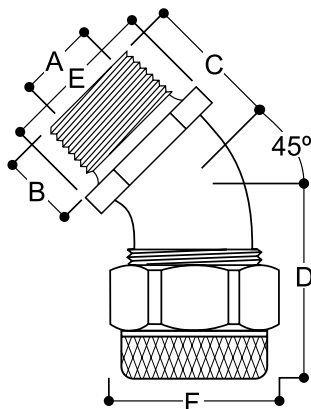
These Tuff-Seal 45° cord grips with external threads offer the same features as the standard RSR series aluminum grips previously described. They can be ordered with or without wire mesh attachments and accommodate conduit sizes from 1/2" to 1-1/2".



RSR 45° Cord Grips Only Dimension Table

Catalog Number*	Conduit Size	A Body Bore	B	C	D	E Body Hex.	F Nut Dia.	Form Size
RSR-45100-W	1/2"	.58	.56	1.19	1.19	1.00	1.33	2
RSR-45200-W	3/4"	.76	.63	1.44	1.53	1.25	1.52	3
RSR-45300-W	1"	.99	.63	1.31	1.88	1.44	1.70	4
RSR-45400-W	1 1/4"	1.28	.69	1.69	1.88	1.88	2.55	5
RSR-45500-W	1 1/2"	1.40	.69	1.69	1.88	2.50	2.55	5

\* See also notes on Dimension Table for RSR cord grips. Dimension E is across flats.



Conduit Size	Cable Range	Complete Assembly Catalog Numbers	
		Cord Grip Only	Cord Grip With Mesh
1/2"	.125-.188	RSR-45103	—
	.188-.250	RSR-45104	RSR-45104-E
	.250-.312	RSR-45105	RSR-45105-E
	.312-.375	RSR-45106	RSR-45106-E
	.375-.438	RSR-45107	RSR-45107-E
	.438-.500	RSR-45108	RSR-45108-E
	.500-.562	RSR-45109	RSR-45109-E
	.562-.625	RSR-45110	RSR-45110-E
3/4"	.438-.500	RSR-45208	RSR-45208-E
	.438-.562	RSR-45209	RSR-45209-E
	.500-.625	RSR-45210	RSR-45210-E
	.562-.688	RSR-45211	RSR-45211-E
	.625-.750	RSR-45212	RSR-45212-E
	.688-.812	RSR-45213	RSR-45213-E
1"	.438-.562	RSR-45309	RSR-45309-E
	.500-.625	RSR-45310	RSR-45310-E
	.562-.688	RSR-45311	RSR-45311-E
	.625-.750	RSR-45312	RSR-45312-E
	.688-.812	RSR-45313	RSR-45313-E
	.750-.875	RSR-45314	RSR-45314-E
	.812-.938	RSR-45315	RSR-45315-E
	.875-1.000	RSR-45316	RSR-45316-E
1 1/4"	.562-.688	RSR-45411	—
	.688-.812	RSR-45413	—
	.750-.875	RSR-45414	—
	.875-1.000	RSR-45416	RSR-45416-E
	1.000-1.125	RSR-45418	RSR-45418-E
	1.125-1.250	RSR-45420	RSR-45420-E
	1.250-1.375	RSR-45422	RSR-45422-E
	1 1/2"	.562-.688	RSR-45511
.688-.812		RSR-45513	—
.750-.875		RSR-45514	—
.875-1.000		RSR-45516	RSR-45516-E
1.000-1.125		RSR-45518	RSR-45518-E
1.125-1.250		RSR-45520	RSR-45520-E
1.250-1.375		RSR-45522	RSR-45522-E

## Accessories

These seals and locknuts can be used with all external conduit threads.

Conduit Seals	Size	Locknuts
SOR-38	3/8"	LN-38
SOR-1-VNT	1/2"	LN-50
SOR-2	3/4"	LN-75
SOR-3	1"	LN-100
SOR-4	1 1/4"	LN-125
SOR-51	1 1/2"	LN-150
SOR-16	2"	LN-200
—	2 1/2"	LN-250
—	3"	LN-300