

Fireball® Supervised Strobe Warning Light



Model FB24ST

LIGHT DUTY STROBE LIGHT

- Available in 24VDC
- Four wires and supervisory diode
- Six dome colors
- 10,000 hour strobe tube
- Integrated 1/2-inch NPT pipe and surface mount
- Type 4X, IP66 enclosure
- CSFM Approved
- CSA Certified
- UL and cUL Listed

Federal Signal's brightest and most compact strobe light, the Fireball® Supervised Warning Light emits a powerful "lightning bolt" flash of light. Approximately five inches tall and four inches in diameter and rated at 300 effective candela, the FB24ST is an economical solution to a wide variety of stationary requirements. The Fireball is available in 24VDC. All models are UL and cUL Listed, CSA Certified and CSFM Approved.

The 24VDC FB24ST features a voltage in-rush limiting PCB design that provides greater compatibility with control systems and less electrical interference with in-rush sensitive devices.

The FB24ST features a unique dome that twists off easily for quick dome and lamp replacements. The newly redesigned base features an integrated 1/2-inch NPT pipe mount boss as well as the three holes required for surface mount configurations. Black epoxy paint is electrostatically applied to the base for superior corrosion resistance. The Fireball dome and base design provides a watertight, dust-tight and corrosion resistant Type 4X rating.

The FB24ST contains a supervisory diode and four wire leads, for use in fire alarm applications.

The FB24ST can be used in any application where a superior visual signal is needed. It is especially effective in the warning of industrial hazards, process control, status indication and in areas with high ambient noise levels.

Federal Signal's Fireball Supervised Strobe is a very low-maintenance warning light for industrial applications where a vibration-resistant light is required to signal an emergency or process status.

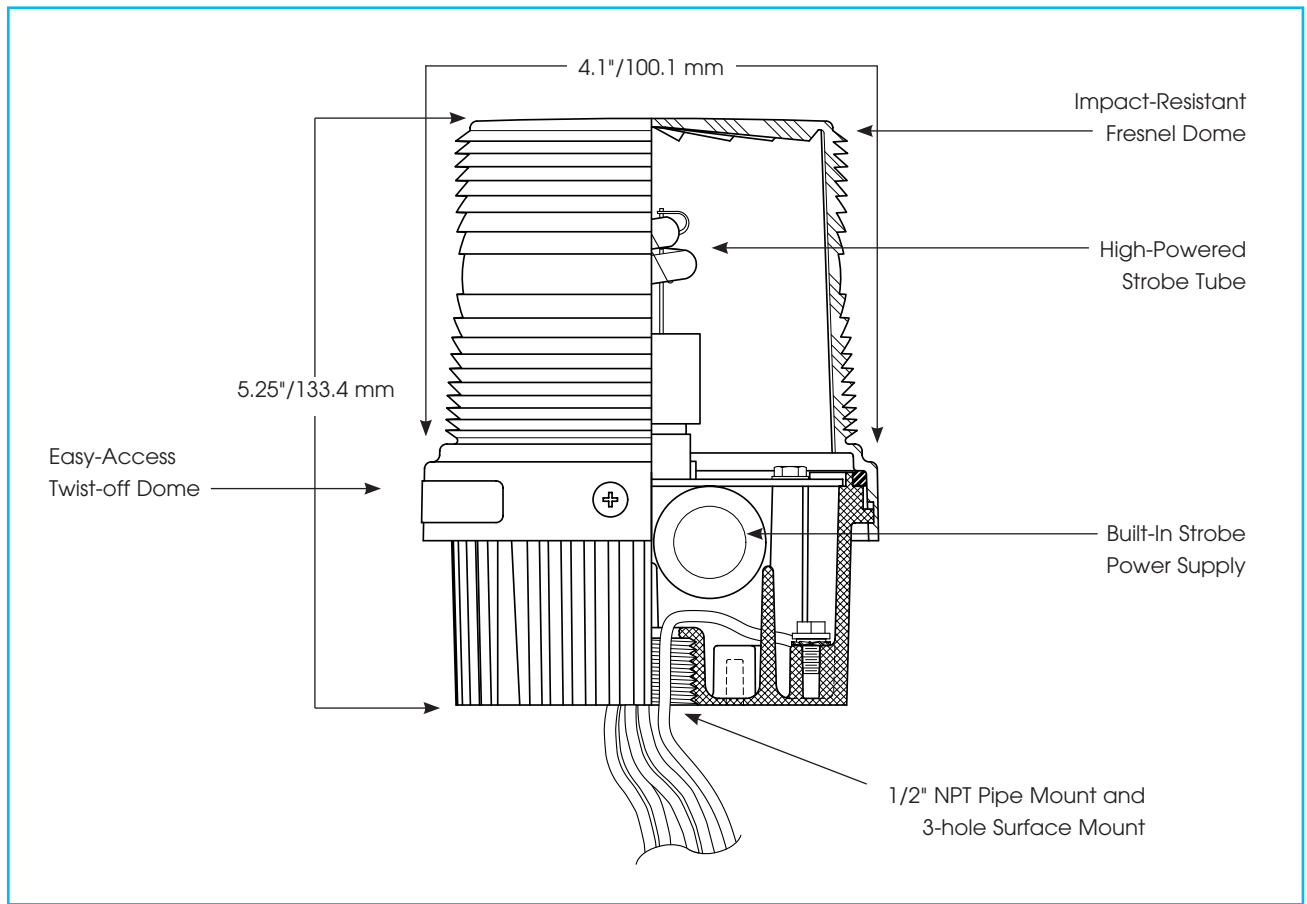
Model	Voltage	Operating Current	Flash Rate/Minute	Candela Peak ¹	ECP ²	Mount
FB24ST	24VDC	0.7 amps (2.0 amp, in-rush)	80	1,000,000	300	1/2" NPT Pipe/Surface

¹ Peak candela is the maximum light intensity generated by a flashing light during its light pulse

² ECP (Effective Candela) is the intensity that would appear to an observer if the light were burning steadily



FIREBALL® STROBE WARNING LIGHT (FB24ST)



SPECIFICATIONS

Lamp Life:	10,000 Hours	10,000 Hours
Lamp Source:	Strobe	Strobe
Operating Temperature:	-31°F to 150°F	-35°C to 66°C
Net Weight:	1.45 lbs.	0.7 kg
Shipping Weight:	1.7 lbs.	0.8 kg
Height:	5.25"	133.4 mm
Diameter:	4.1"	100.1 mm

HOW TO ORDER

- Specify model, voltage and color
- Optional Accessories:
Corner Bracket (LCMB2)*
Wall Bracket (LWMB2)*

* Brackets not Type 4X rated.

REPLACEMENT PARTS

Description	Part Number
Dome, Amber	K8550320A
Dome, Blue	K8550320A-01
Dome, Clear	K8550320A-02
Dome, Green	K8550320A-03
Dome, Magenta	K8550320A-05
Dome, Red	K8550320A-04
Strobe Tube, Series A4, A5, B	K8107177A