

General Alarm Siren

Model L



ELECTRO-MECHANICAL SIREN

- Available with 120VAC/VDC and 240VAC/VDC universal motor
- Rugged, durable and corrosion-resistant
- Produces 112dBA @ 10' (122dBA @ 1m)
- Maintenance-free
- Type 3R enclosure
- CSA Certified

The Federal Signal Model L is a general-purpose electro-mechanical siren that produces a distinctive sound and tonal quality for industrial applications. It has a low maximum pitch which provides excellent contrast to industrial ambient noise. Introduced in 1946, the Model L is still used today in many rugged and extreme environments and applications.

The Model L features a universal motor and operates with 120VAC/125VDC. The Model L is also available for 240VAC/250VDC operation. The fractional horsepower motor drives a ported aluminum rotor within the specially designed stator to produce a unique sound. The recommended duty cycle is five minutes on/five minutes off. This siren produces an attention-getting 112dBA @ 10 feet (122dBA @ 1m).

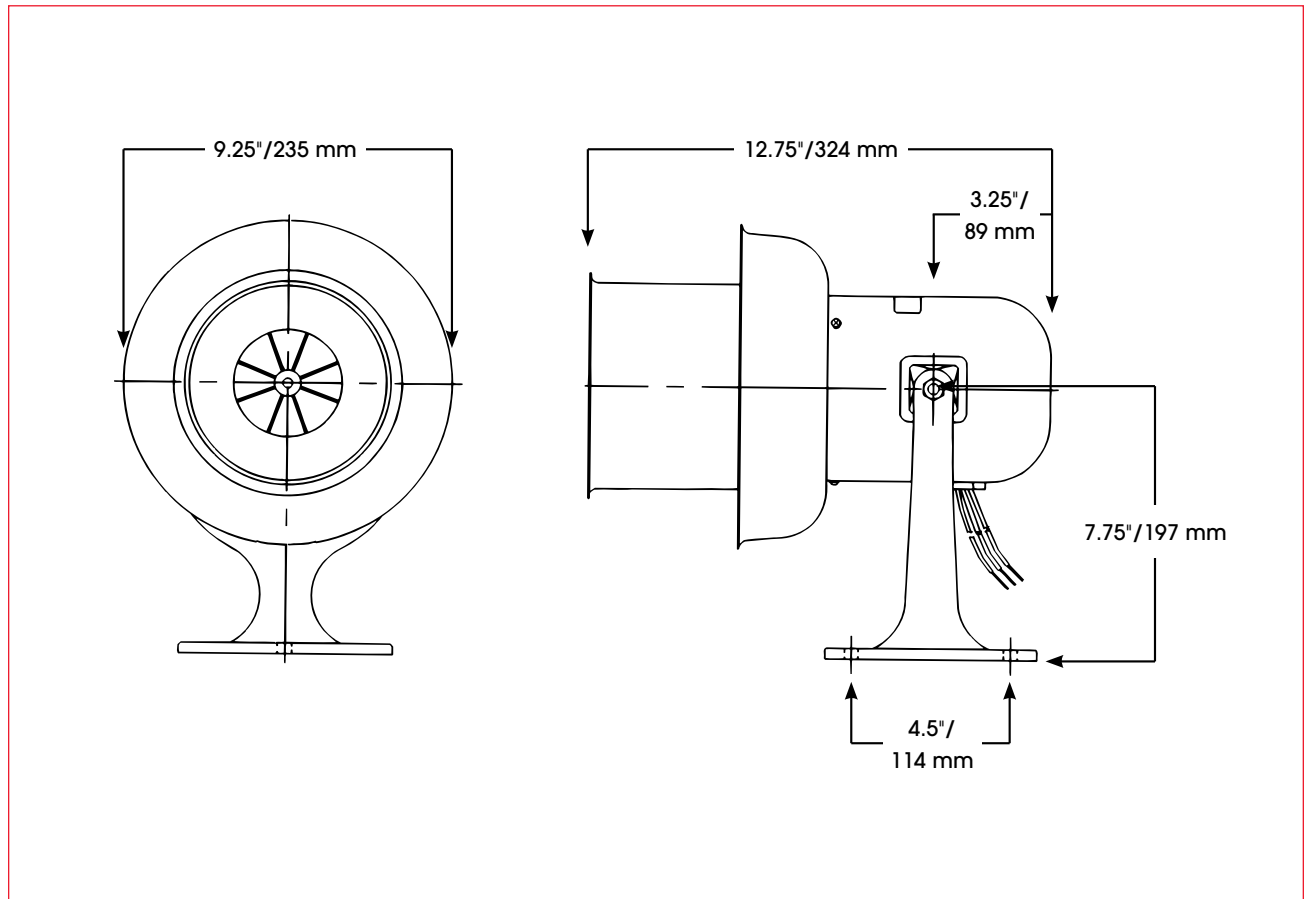
The Model L's metal housing is sealed with red powder coat for an attractive appearance and superior corrosion-resistance. The swivel mount bracket accommodates wall and surface mount installations.

The Model L is CSA Certified.

Model	Voltage	Operating Current	Decibels @		Frequency
			10'	1m	
L-120	120VAC/VDC	1.95 amps	112	122	700Hz
L-240	240VAC/VDC	1.0 amps	112	122	700Hz



GENERAL ALARM SIREN (L)



SPECIFICATIONS

Voltages:	120VAC/VDC or 240VAC/VDC	
Motor:	Universal	Universal
Net Weight:	12.0 lbs	5.4 kg
Shipping Weight:	14.2 lbs	6.4 kg
Width:	9.25"	235.0 mm
Length:	12.75"	324.0 mm

HOW TO ORDER

- Specify model and voltage

REPLACEMENT PARTS

<i>Description</i>	<i>Part Number</i>
Motor and Rotor Service Kit – 120VAC /120VDC	K82831051A
Motor and Rotor Service Kit – 240VAC /250VDC	K8283A700