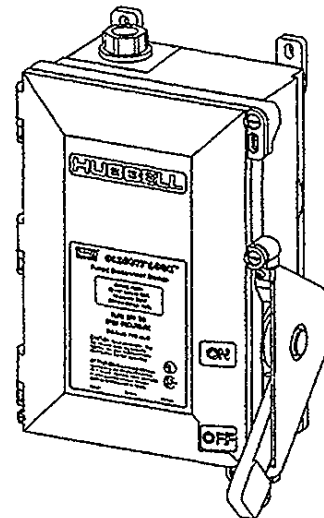


# HUBBELL CIRCUIT LOCK™

## 30 & 60 AMP PIN & SLEEVE FUSED DISCONNECT SWITCH

### Installation Instructions

This device provides fused switched control of a directly connected load. The switch cannot be turned "ON" unless the enclosure cover is closed. The fuses cannot be accessed until the switch is turned "OFF". The non-metallic enclosure is listed for Outdoor/Indoor (Type 4X Watertight, Corrosion Resistant) and Indoor (Type 12 Dusttight) installations.



### GENERAL INFORMATION

1. **NOTICE:** For installation only by a qualified electrician in accordance with the National Electrical Code® or the Canadian Electrical Code, local codes, and the instructions on the following pages.
2. **DANGER:** Risk of electric shock - TURN OFF SWITCH before removing or installing fuses. Do NOT remove line terminal shield on switch.  
**DANGER:** Risque de choc électrique - METTRE HORS TENSION L'INTERRUPTEUR DU BOÎTIER avant d'enlever ou d'installer les fusibles. NE PAS enlever le couvercle sur les bornes de connexion.  
**DANGER:** Risk of electric shock - After installation or servicing, replace ALL parts. Line terminal shield **MUST** be in place on switch. Close enclosure cover before reconnecting power supplies.  
**DANGER:** Risque de choc électrique - Après installation ou entretien, remplacer TOUTES les pièces. Le couvercle sur les bornes de connexion DOIT être remplacé sur l'interrupteur. Refermer le boîtier avant de remettre sous tension.
3. **CAUTION:** Nonmetallic enclosure does not provide automatic grounding between conduit connections. Install grounding plate (with jumper wire) underneath the interior conduit hub bushings (nuts). Tighten bushings (nuts) for a watertight seal.  
  
**ATTENTION:** Les boîtiers non-métalliques ne fournissent la mise à la terre automatique (M.A.L.T.) entre les branchements de conduits que lorsqu'une plaque munie d'une bretelle est installée sur la cloison interne du boîtier. L'étanchéité est obtenue en serrant les embouts sur la paroi.
4. This enclosure includes a lockout provision: ON-OFF lever (in the OFF position) accepts up to a 5/16 inch (8.0 mm) diameter shackle of a suitable padlock. Lockout device to isolate energy from connected equipment as a method of compliance to OSHA Lockout/Tagout Regulation 29 CFR Part 1910.147. This feature, however, does NOT isolate the power supplied to the enclosure during internal servicing of the enclosure.
5. Suitable for use as Service Equipment. Pilot circuit is not included as part of service equipment. Pilot Duty Rating: 600 VAC 10A.  
Acceptable comme appareillage de branchement.



# HUBBELL CIRCUIT LOCK™

## 30 & 60 AMP PIN & SLEEVE FUSED DISCONNECT SWITCH

### INSTALLATION INSTRUCTIONS

#### MOUNTING INSTRUCTIONS

This enclosure may be mounted for top, bottom, or back feed of supply voltage. It is supplied with two conduit fittings and two grounding (bonding) plates. Drill spots are provided in enclosure for piercing or drilling necessary conduit mounting holes.

#### A. TOP FEED: See Fig.'s M1 and M2.

1. This enclosure must always be mounted vertically, with the "Line" end up.
2. Enclosure must be mounted by means of mounting feet. **DO NOT** drill mounting holes through enclosure.
3. Mount the feet to the enclosure in the desired position using the screws provided. (see Fig. M1 for mounting dimension). Torque 10 to 12 lb.-in. (1.2-1.4 Nm).
4. Mounting feet slots will accept up to 5/16" or 8mm screws (not provided).
5. Turn the three (3) door fastening screws ¼ turn counterclockwise to open door.
6. When installing the conduit fitting, be sure the "O" ring seal is in place between the fitting and the outside of the enclosure.
7. Install the pigtailed grounding (bonding) plate under the conduit nuts. Tighten nuts securely for a watertight seal and grounding continuity.
8. Note: Backfeed is NOT permitted in Type 12 applications. Backfeed is permitted in Type 4X applications.
9. Drill or punch a 1-3/8" dia. (30 amp 1" conduit) or 1-3/4" dia. (30 amp 1-1/4" conduit) in the enclosure for the conduit fitting. Molded drill spots on the outside top and bottom surfaces show the hole locations.

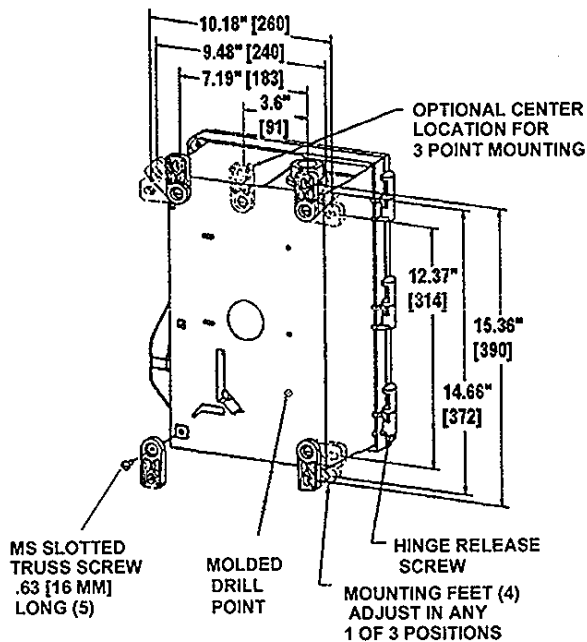


FIG. M1

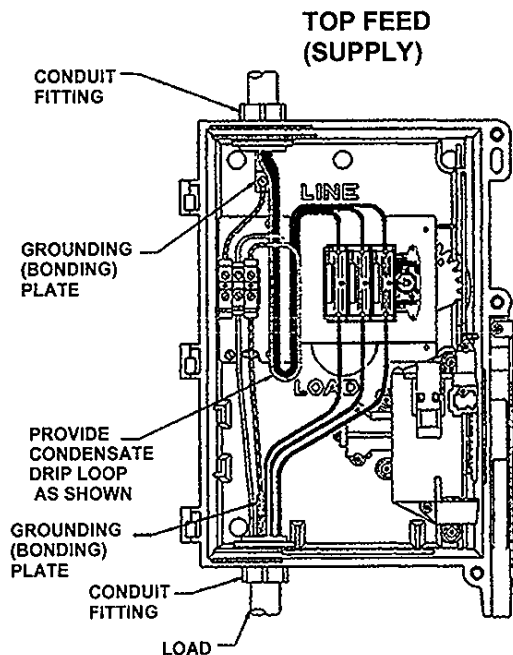


FIG. M2

# HUBBELL CIRCUIT LOCK™

## 30 & 60 AMP PIN & SLEEVE FUSED DISCONNECT SWITCH

### INSTALLATION INSTRUCTIONS

B. **BOTTOM AND BACK FEED:** See figures M3 and M4.

1. Drill or punch a 1-3/8" dia. (30 amp – 1" conduit) or 1-3/4" dia. (60 amp – 1 1/4" conduit) hole in the enclosure for the conduit fitting. Molded drill spots on the outside top bottom and back surfaces show the hole locations.
2. Install the pigtailed grounding (bonding) plates under the conduit nuts. Tighten nuts securely for a watertight seal and grounding continuity.

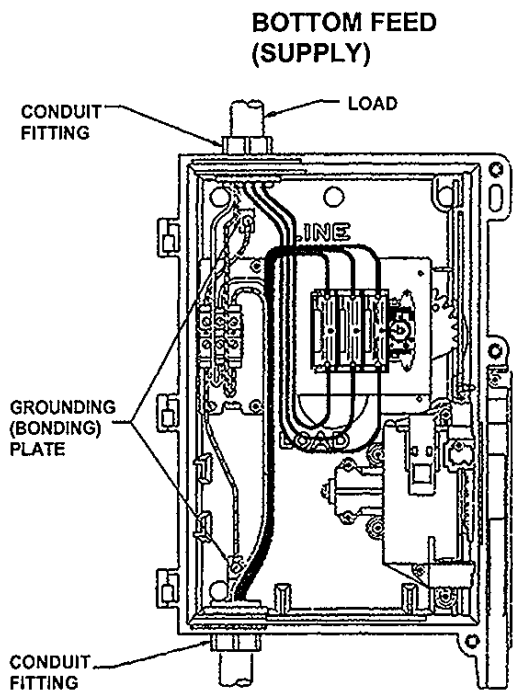


FIG. M3

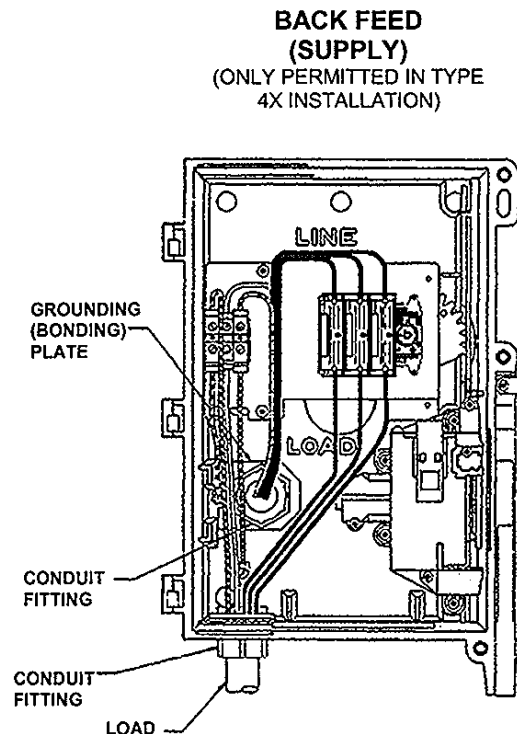


FIG. M4

### Wiring Instructions

1. **CAUTION:** Use copper conductors only.  
**ATTENTION:** Employer uniquement avec fil de cuivre.
2. Use conductors with insulation rated 90°C or higher having sufficient ampacity in accordance with the 60°C column of Table 310-15 (B)(16) of the National Electrical Code® or Table 2 of the Canadian Electrical Code.
3. Strip length of all lead wires 1/2 inch (13mm).
4. DO NOT tin conductors.
5. Select the correct wiring diagram shown on page 4 and wire the switch as shown (Figs. W1-W5).
6. Take extra caution that there are no loose wire strands.

# HUBBELL CIRCUIT LOCK™

## 30 & 60 AMP PIN & SLEEVE FUSED DISCONNECT SWITCH

	30A	60A
Switch Torque	14 lb. - in. (1.6 N·m)	25 lb. - in. (2.8 N·m)
Ground Terminal Torque	16 lb. - in. (1.8 N·m)	22 lb. - in. (2.5 N·m)
Neutral Terminal Torque	13 lb. - in. (1.5 N·m)	22 lb. - in. (2.5 N·m)
Buss Clamp Screw Torque	10 lb. - in. (1.13 N·m)	10 lb. - in. (1.13 N·m)
Terminal Conductor Capacity	# 14 to # 8 AWG	# 14 to # 4 AWG

7. Close enclosure cover. Turn the three (3) cover fastening screws 1/4 turn clockwise.
8. If installed as service equipment, wire per Fig. W5. You MUST affix provided "Service Disconnect" label on outside door between "ON" and "OFF" labels per Fig. W6. Use Kellems Cord Connector Cat. No. SHC-1022-CR to maintain the environmental protection (Type 4X or 12) of the insulated grounding electrode conductor through enclosure. Drill or punch a 7/8" dia. hole in enclosure.

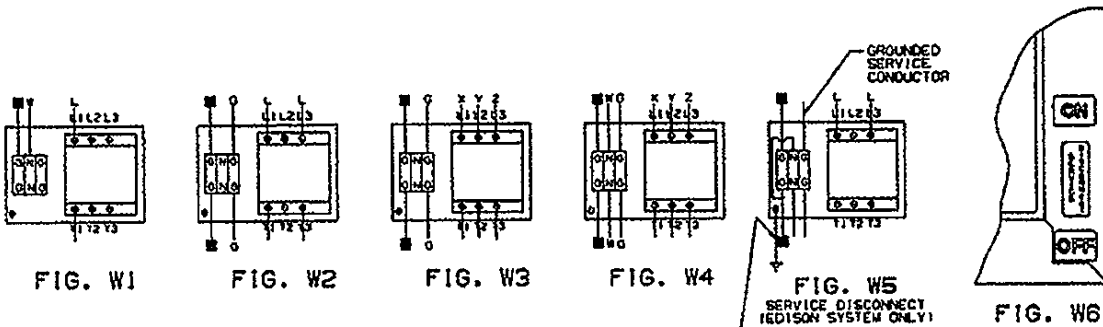
### FUSE & SHORT CIRCUIT INFORMATION

**Horsepower Ratings:** The starting current of motors of more than the standard horsepower rating may require the use of fuses with appropriate time-delay characteristics.

**Short Circuit Current Withstand Rating:** Suitable for use on a circuit capable of delivering not more than 200,000 rms symmetrical amperes at the voltage rating of the receptacle when protected by Class J fuses.

Replacement fused switch must be the same type Hubbell switch as original and have equal or greater short circuit current withstand rating.

CAT. NOS.	AMP RATINGS	VOLTS	STD. HP	MAX. HP	WIRE PER FIG.
FDS 30	30 AMP 600 VAC MAX.	120 VAC 1Ø	0.5	2.0	W1
		208-240 VAC 1Ø	1.5	3.0	W2
		240 VAC 3Ø	3.0	7.5	W3
		480 VAC 3Ø	5.0	15.0	W3
		600 VAC 3Ø	7.5	20.0	W3
		120/208 VAC 3ØY	3.0	5.0	W4
		277/480 VAC 3ØY	5.0	15.0	W4
FDS 60	60 AMP 600 VAC MAX.	120 VAC 1Ø	1.5	3.0	W1
		208-240 VAC 1Ø	3.0	7.5	W2
		240 VAC 3Ø	7.5	15.0	W3
		480 VAC 3Ø	15.0	30.0	W3
		600 VAC 3Ø	15.0	50.0	W3
		120/208 VAC 3ØY	7.5	15.0	W4
		277/480 VAC 3ØY	15.0	30.0	W4
		347/600 VAC 3ØY	15.0	40.0	W4



NOTE: "G" DESIGNATES GROUNDING CONDUCTOR AND YELLOW AND GREEN GROUNDING BUSS.  
 "N" DESIGNATES GROUNDED CONDUCTOR (NEUTRAL) AND BLUE NEUTRAL BUSS.  
 ■ DESIGNATES CONDUIT GROUNDING (BONDING) PLATE.

GROUNDING ELECTRODE CONDUCTOR -  
 (INSULATED #6 WIRE)  
 GROUND PLANE TO BE  
 ESTABLISHED PER NEC® ARTICLE 250  
 OR CEC SECTION 10.