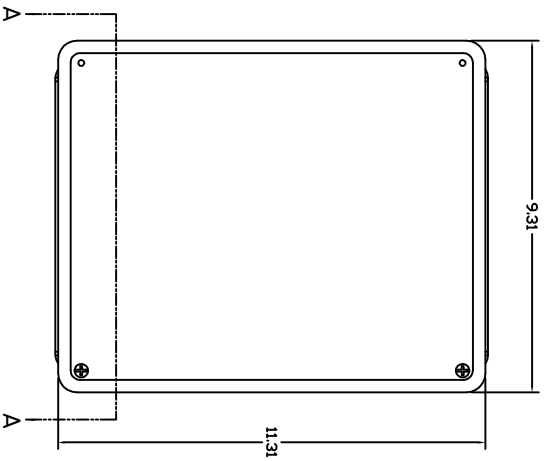


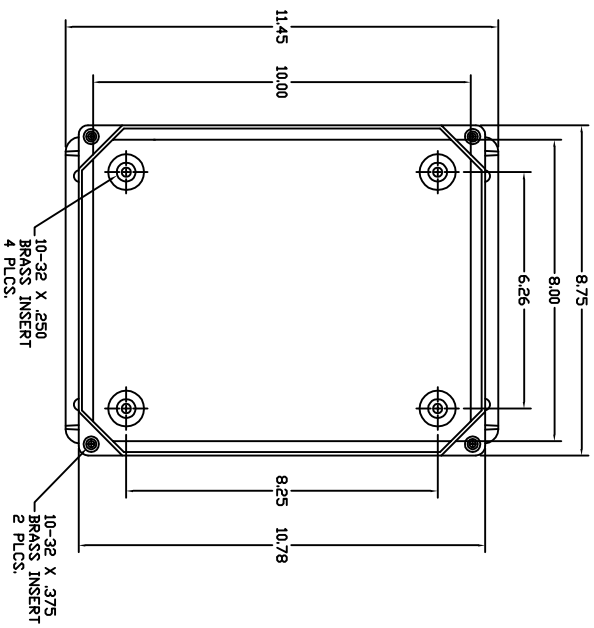
FRONT VIEW



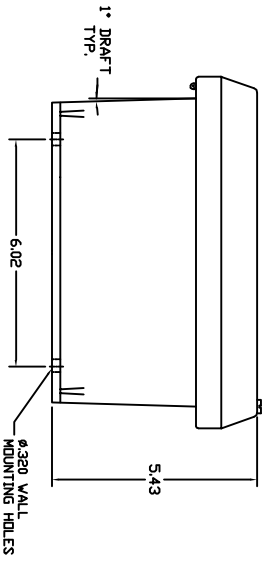
RIGHT SIDE VIEW



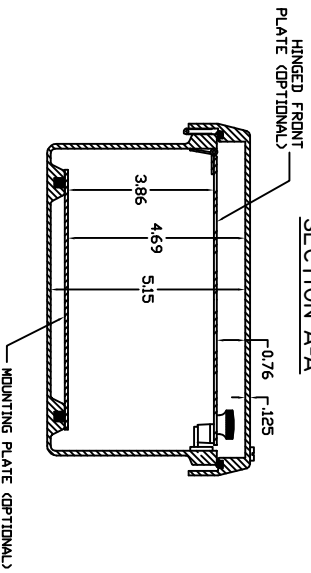
FRONT VIEW - COVER REMOVED



END VIEW



SECTION A-A



- NOTES:
1. ENCLOSURE MATERIAL MADE OF GRAY (RAL 7036) HOT MOLDED FIBERGLASS REINFORCED POLYESTER.
 2. U.L. LISTED PER STD. 508. (FILE# E54315)
 3. CSA CERTIFIED PER STD. C22.2 NO. 94. (FILE# LR36508)
 4. NEMA RATED TYPE 3, 3R, 3S, 4, 4X, 12 AND 13.
 5. IEC 529 RATED IP 68.
 6. RESISTANT TO TEMPERATURES UP TO 150 DEG. C.
 7. SELF EXTINGUISHING AND HALOGEN FREE ACCESSORIES INCLUDE: BACK PANELS, HINGEABLE FRONT PLATES, HINGED COVERS, PRINT POCKET, LATCHES, WINDOWS, AND VENTILATORS.
 8. CABINETS ARE MAINTENANCE FREE AND CORROSION RESISTANT.

UNLESS OTHERWISE SPECIFIED DIMENSIONS ARE IN INCHES DECIMALS ONLY 30 MIN. TYP. DIMENSIONS		VYNCKIER ENCLOSURE SYSTEMS INC.	
DRAWN BY: J. J. JONES CHECKED BY: J. J. JONES DATE: 2/2/01	DESIGNED BY: J. J. JONES DATE: 2/2/01	VJ SERIES ENCLOSURE VYNCKIER PART # VJ1008HW	VJ1008HW
SIZE: 10.00 X 10.00 X 10.00 WEIGHT: 10.00 LBS. MATERIAL: GRAY POLYESTER REINFORCED FIBERGLASS	SHEET: 1/1	SHEET: 1/1	SHEET: 0