



1732E ArmorBlock Dual Port EtherNet/IP 8-Point Digital Modules

Catalog Numbers 1732E-IB8M8SOER, 1732E-OB8M8SR,
1732E-8CFGM8R

Table of Contents

Topic	Page
Important User Information	2
Environment and Enclosure	3
Preventing Electrostatic Discharge	3
Overview	4
Catalog Number Explanation	6
Install the Module	6
Set the Network Address	6
Mount the Module	7
Product Dimensions	7
Connect the I/O, Network and Auxiliary Cables to the Module	9
Configure the Module	12
Interpret LED Indicators	15
Specifications	17

Important User Information

Solid-state equipment has operational characteristics differing from those of electromechanical equipment. Safety Guidelines for the Application, Installation and Maintenance of Solid State Controls (Publication [SGI-1.1](#) available from your local Rockwell Automation sales office or online at <http://www.rockwellautomation.com/literature/>) describes some important differences between solid-state equipment and hard-wired electromechanical devices. Because of this difference, and also because of the wide variety of uses for solid-state equipment, all persons responsible for applying this equipment must satisfy themselves that each intended application of this equipment is acceptable.





In no event will Rockwell Automation, Inc. be responsible or liable for indirect or consequential damages resulting from the use or application of this equipment.

The examples and diagrams in this manual are included solely for illustrative purposes. Because of the many variables and requirements associated with any particular installation, Rockwell Automation, Inc. cannot assume responsibility or liability for actual use based on the examples and diagrams.

No patent liability is assumed by Rockwell Automation, Inc. with respect to use of information, circuits, equipment, or software described in this manual.

Reproduction of the contents of this manual, in whole or in part, without written permission of Rockwell Automation, Inc., is prohibited.

Throughout this manual, when necessary, we use notes to make you aware of safety considerations.

	WARNING: Identifies information about practices or circumstances that can cause an explosion in a hazardous environment, which may lead to personal injury or death, property damage, or economic loss.
	ATTENTION: Identifies information about practices or circumstances that can lead to personal injury or death, property damage, or economic loss. Attentions help you identify a hazard, avoid a hazard and recognize the consequences.
	SHOCK HAZARD: Labels may be on or inside the equipment (for example, drive or motor) to alert people that dangerous voltage may be present.
	BURN HAZARD: Labels may be on or inside the equipment (for example, drive or motor) to alert people that surfaces may reach dangerous temperatures.
IMPORTANT	Identifies information that is critical for successful application and understanding of the product.

Environment and Enclosure



ATTENTION: This equipment is intended for use in overvoltage Category II applications (as defined in IEC 60664-1), at altitudes up to 2000 m (6562 ft) without derating.

This equipment is considered Group 1, Class A industrial equipment according to IEC/CISPR 11. Without appropriate precautions, there may be difficulties with electromagnetic compatibility in residential and other environments due to conducted and radiated disturbances.

This equipment is supplied as enclosed equipment. It should not require additional system enclosure when used in locations consistent with the enclosure type ratings stated in the Specifications section of this publication. Subsequent sections of this publication may contain additional information regarding specific enclosure type ratings, beyond what this product provides, that are required to comply with certain product safety certifications. In addition to this publication, see:

- Industrial Automation Wiring and Grounding Guidelines, Rockwell Automation publication [1770-4.1](#), for additional installation requirements.
 - NEMA Standard 250 and IEC 60529, as applicable, for explanations of the degrees of protection provided by different types of enclosure.
-

Preventing Electrostatic Discharge



ATTENTION: This equipment is sensitive to electrostatic discharge, which can cause internal damage and affect normal operation. Follow these guidelines when you handle this equipment:

- Touch a grounded object to discharge potential static.
 - Wear an approved grounding wriststrap.
 - Do not touch connectors or pins on component boards.
 - Do not touch circuit components inside the equipment.
 - Use a static-safe workstation, if available.
 - Store the equipment in appropriate static-safe packaging when not in use.
-

Additional Resources

Resource	Description
ArmorBlock™ Dual-Port EtherNet/IP 8-Point Digital Modules Wiring Diagrams 1732E-WD002	Pinout guide wiring diagram for the ArmorBlock dual-port EtherNet/IP 8-Point modules (1732E-IB8M8SOER, 1732E-OB8M8SR, 1732E-8CFGM8R).
1732E ArmorBlock EtherNet/IP Dual Port 8-Point Sequence of Events Input and Scheduled Sourcing Output Modules User Manual 1732E-UM003	A detailed description of module functionality, configuration, installation procedure and information on how to use the ArmorBlock dual-port EtherNet/IP 8-Point digital modules (1732E-IB8M8SOER, 1732E-OB8M8SR).
Industrial Automation Wiring and Grounding Guidelines, publication 1770-4.1	More information on proper wiring and grounding techniques.

If you would like a manual, you can:

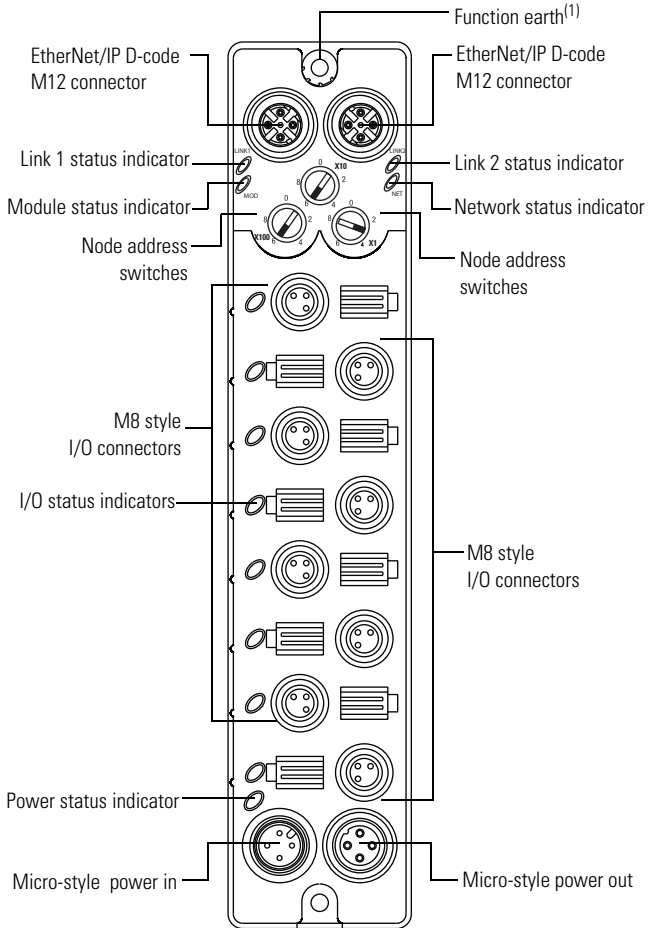
- download a free electronic version from the internet:
<http://literature.rockwellautomation.com>
- purchase a printed manual by contacting your local Allen-Bradley distributor or Rockwell Automation representative

Overview

The EtherNet/IP ArmorBlock is a 24V DC I/O module that communicates via EtherNet/IP. The sealed IP65, IP67 and IP69K housing of these modules requires no enclosure. Note that environmental requirements other than IP65, IP67 and IP69K may require an additional appropriate enclosure. I/O connectors are sealed M8 style.

EtherNet/IP networks use advanced network technology, for example, producer/consumer communication, to increase network functionality and throughput.

Module Identification



45766

(1) Functional Earth grounds the I/O block's EtherNet/IP communication circuitry which is designed to mitigate the effect of noise on the network. The device requires a solid earth ground connection, either through a metal screw to a grounded metal panel or through a wire. See EtherNet/IP Connector on page 10 for connections.

Catalog Number Explanation

Refer to the table for a description of the module catalog numbers.

Catalog Number	Description	Network Connector	Power Connector
1732E-8CFGM8R	24V DC, 8-PT Configurable Digital I/O Dual-Port EtherNet/IP Module	Dual D-code M12	Dual 4-pin micro
1732E-IB8M8SOER	24V DC, 8-PT SOE Sinking Input Dual-Port EtherNet/IP Module		
1732E-OB8M8SR	24V DC, 8-PT Scheduled Sourcing Output Dual-Port EtherNet/IP Module		

Install the Module

To install the module:

- Set the network address
- Mount the module
- Connect the I/O, Network and Auxiliary cables to the module.

Set the Network Address

The I/O block ships with the rotary switches set to 999 and DHCP enabled.

To change the network address, you can do one of the following:

- adjust the switch on the front of the module.
- use a Dynamic Host Configuration Protocol (DHCP) server, such as Rockwell Automation BootP/DHCP.
- retrieve the IP address from nonvolatile memory.

The I/O block reads the switches first to determine if the switches are set to a valid number. To set the network address:

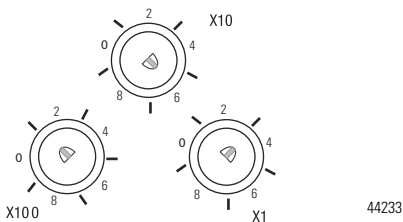
1. Remove power.
2. Remove the switch dust caps.
3. Rotate the three (3) switches on the front of the module using a small blade screwdriver.
4. Line up the small notch on the switch with the number setting you wish to use. Valid settings range from 001...254.

5. Replace switch dust caps. Make sure not to over tighten.
6. Reapply power.

Set Network Address

Example shows default node address set at 163.

Note: You need to remove the protective switch dust caps before you can adjust the address settings.



When the switches are set to a valid number, the I/O block's IP address is 192.168.1.xxx (where xxx represents the number set on the switches). The I/O block's subnet mask is 255.255.255.0 and the gateway address is set to 0.0.0.0. When the I/O block uses the network address set on the switches, the I/O block does not have a host name assigned to it or use any Domain Name Server.

If the switches are set to an invalid number (for example, 000 or a value greater than 254 excluding 888), the I/O block checks to see if DHCP is enabled. If DHCP is enabled, the I/O block asks for an address from a DHCP server. The DHCP server also assigns other Transport Control Protocol (TCP) parameters.

If DHCP is not enabled, the I/O block uses the IP address (along with other TCP configurable parameters) stored in nonvolatile memory.

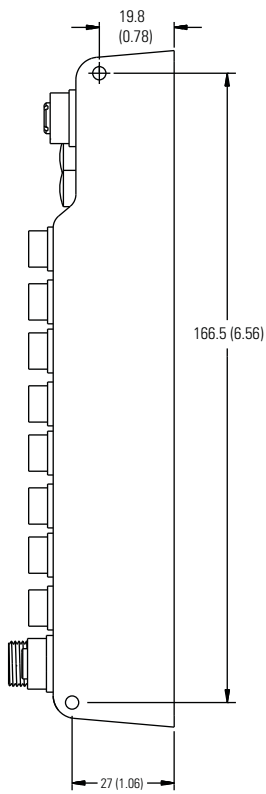
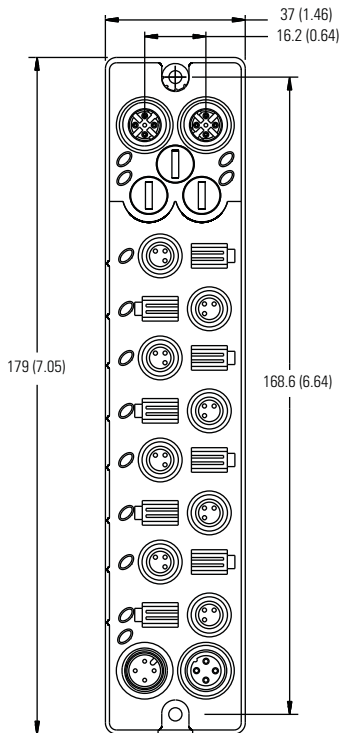
Mount the Module

Two sets of mounting holes are used to mount the module directly to a panel or machine. Mounting holes accommodate #6 (M3) pan head screws. The torque specification is 0.68 Nm (6 lb-in.).

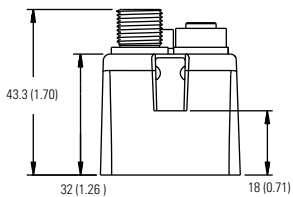
Product Dimensions

Refer to the mounting dimensions illustration to help you mount the module.

Module Dimensions



Side Mounting



Front Mounting

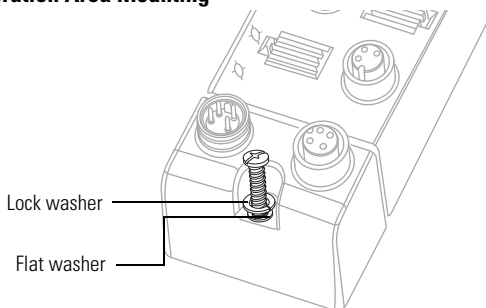
Measurements are in millimeters (inches)

45765

Mount the Module in High Vibration Areas

If you mount the module in an area that is subject to shock or vibration, we recommend you use a flat and a lock washer to mount the module. Mount the flat and the lock washer as shown in the mounting illustration. Torque the mounting screws to 0.68 Nm (6 lb-in.).

High Vibration Area Mounting



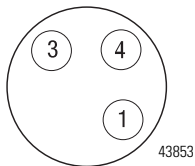
45768

Connect the I/O, Network and Auxiliary Cables to the Module

The 1732E-8CFGM8R, 1732E-OB8M8SR, 1732E-IB8M8SOER ArmorBlock EtherNet/IP modules have 3-pin pico-style I/O connectors. We provide caps to cover the unused connectors on your module. Connect the quick-disconnect cord sets you selected for your module to the appropriate ports.

I/O Connectors

Pico-style 3-Pin Input Female Connector



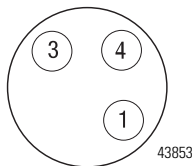
(View into connector)

Pin 1 Sensor source voltage

Pin 3 Return

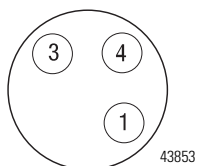
Pin 4 Input

Pico-style 3-Pin Output Female Connector



- (View into connector)
- Pin 1 Sensor source voltage
 - Pin 3 Return
 - Pin 4 Output

Pico-style 3-Pin Self-Configuring Female Connector



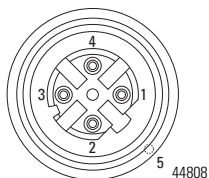
- (View into connector)
- Pin 1 Sensor source voltage
 - Pin 3 Return
 - Pin 4 Input or Output



ATTENTION: Sensors/actuators power should not be supplied externally.

EtherNet/IP Connector

D-Code Micro Network Female Connector



- (View into connector 1)
- Pin 1 M12_Tx+
 - Pin 2 M12_Rx+
 - Pin 3 M12_Tx-
 - Pin 4 M12_Rx-
 - Pin 5 Connector shell shield GND

IMPORTANT Use the 1585D–M4DC–H: Polyamide small body unshielded mating connectors for the D-Code M12 female network connector.

Note that the distance between the center of each Ethernet connector is 16.2 mm (see Module Dimensions on page 8). Rockwell Automation recommends the use of suitable cable based on this measurement. Some of the recommended cables are 1585D-M4TBJM-x and 1585D-M4TBDM-x for daisychains.

IMPORTANT Use two twisted pair CAT5E UTP or STP cables.

D-Code M12 Pin	Wire Color	Signal	8-way Modular RJ45 Pin
1	White-orange	TX+	1
2	White-green	RX+	3
3	Orange	TX-	2
4	Green	RX-	6

Self-configuring Module

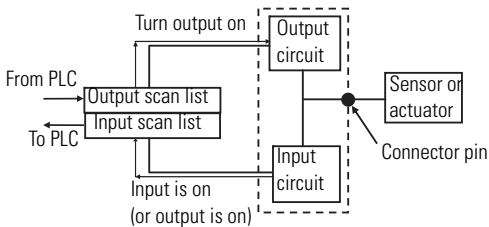
The 1732E-8CFGM8R self-configuring module contains both input and output functionality.

- If an I/O point is to be an output, dedicate that point as an output with a wired load and energize it through a control program.
- Energized outputs show an associated active input that can be used as a feedback mechanism to make certain that the output is on.
- If an I/O point is to be an input, wire the input device as normal and leave the associated output de-energized at all times.



ATTENTION: Make sure all connectors and caps are securely tightened to properly seal the connections against leaks and maintain IP enclosure type requirements.

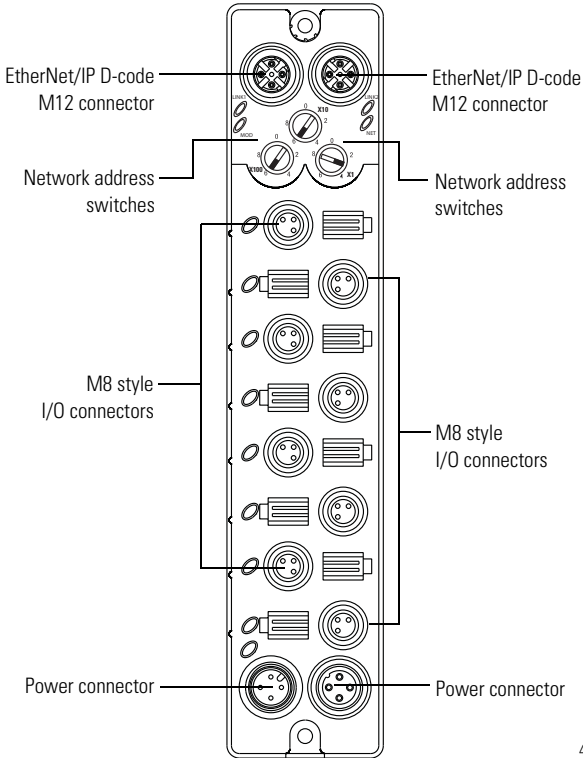
I/O Self-configure Circuitry



43601

Configure the Module

Refer to the illustration for configuration operations.

Configure Operations

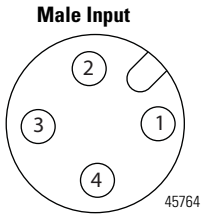
45766

Refer to On-Machine Connectivity Catalog, publication [M117-CA001](#), for Rockwell Automation cable and cord set offerings or use the configuration tools available at www.ab.com/e-tools/.

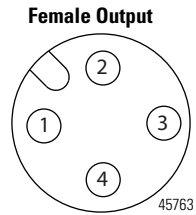
Power Connectors

Attach the micro-style 4-pin connector to the micro-style 4-pin receptacle as shown below.

Micro-style 4-Pin Input Male Receptacle



(View into receptacle)
Pin 1 Auxiliary power+
Pin 2 Module power+
Pin 3 Module power-
Pin 4 Auxiliary power-



IMPORTANT The maximum current that any pin on the power connectors can carry is 4 A.

The power required by the module is based on a 4-pin micro-style connector system. The module receives its required power through the male connector on the left. A female connector on the right is also provided so that power can be daisy-chained from module to module.

All three modules require two 24V DC (nominal) supplies. These supplies are called the Module Power and the Auxiliary Power. The Module power powers the microprocessor and Ethernet portions of the module. The Auxiliary Power provides power for the Digital Outputs, the Digital Inputs, and the Sensor Voltage.

Internally, the Module Power and Auxiliary Power are isolated from each other.



ATTENTION: To comply with the CE Low Voltage Directive (LVD), this equipment and all connected I/O must be powered from a source compliant with the following:
Safety Extra Low Voltage (SELV) or Protected Extra Low Voltage (PELV).



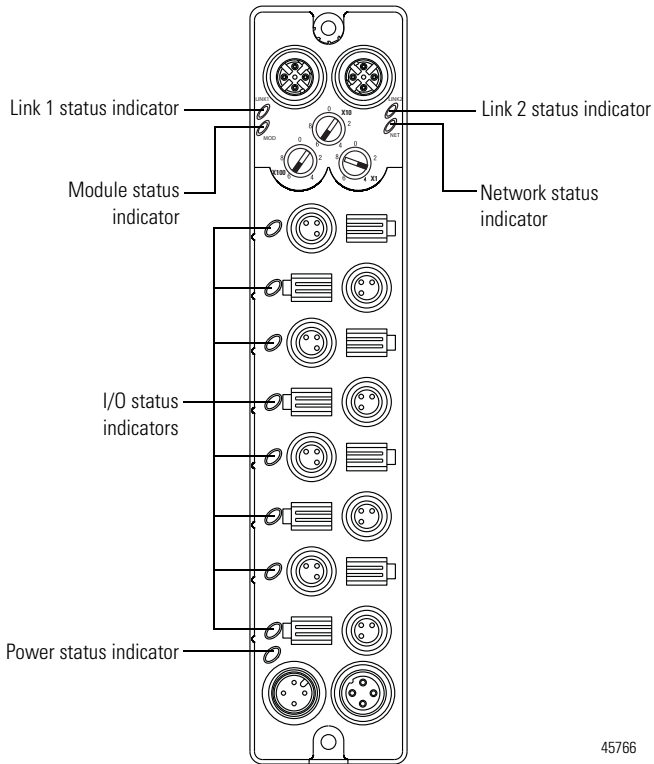
ATTENTION: To comply with UL restrictions, this equipment must be powered from a source compliant with the following: Limited Voltage.
ATTENTION: The device meets UL Type 1 Enclosure rating.

Interpret LED Indicators

This module has the following indicators:

- Network, Module, and Link status indicators for EtherNet/IP
- Power status indicator
- Individual I/O status indicators for inputs and outputs

Status Indicators



45766

Indicator Status for Modules

Indicator	Status	Description
Module status	Off	No power applied to the device.
	Flashing red/green	The module is performing POST (Power-On Self Test), which completes within 30 s.
	Green	Device operating normally.
	Flashing red	Module has experienced a recoverable fault.
	Red	Unrecoverable fault – may require device replacement.
	Flashing green	On 1732E-IB8M8SOER and 1732E-OB8M8SR : Device is not synchronized to master clock. On 1732E-8CFG8R : Module has not yet been configured.
Network status	Off	The device is not initialized or the module does not have an IP address.
	Flashing green	The device has no CIP connections. The device has an IP address, but no CIP connections are established.
	Green	The device is online, has an IP address, and CIP connections are established.
	Flashing red	One or more connections have timed out.
	Red	The module has detected that its IP address is already in use.
	Flashing red/green	The module is performing a power-on self test (POST).
Network link status (Link 1/Link 2)	Off	No link established.
	Green	Link established on indicated port at 100 Mbps.
	Flashing green	Link activity present on indicated port at 100 Mbps.
	Yellow	Link established on indicated port at 10 Mbps.
	Flashing yellow	Link activity present on indicated port at 10 Mbps.
Power status	Off	No power to device or input not valid.
	Green	Power applied to device.
I/O status	Off	Output/input not energized.
	Yellow	Output/input energized.

IMPORTANT The Module Status LED indicator will flash red and green for a maximum 30 s while the module completes its POST (Power-On Self Test).

Specifications

General Specifications

Attributes	Value
Voltage, power, max	30V DC
Voltage, power, min	12V DC
Current, Module Power, max per module	300 mA @ 24V DC
Current, Auxiliary Power, module only (no Digital Output loads, no Sensor Voltage Loads, and no power daisy-chain loads)	25 mA @ 24V DC
Current, Auxiliary Power, max per module (module plus Digital Output Loads, plus Sensor Voltage Loads, plus power daisy-chain loads)	4A @ 24V DC
Isolation voltage	Type tested @ 707V DC for 60s
Communication rate	EtherNet/IP 10/100 Mbps Full or half-duplex 100 meter per segment
Status indicators	Module status – red/green Network status – red/green Link status – green/yellow Power status – green I/O LED – yellow
Dimensions, approx., HxWxD	179 x 37 x 27 mm (7.05 x 1.46 x 1.06 in.)
Pilot Duty Rating	DC-14
Weight, approx.	0.34 kg (0.75 lb)
Wiring category ⁽¹⁾	1 – on signal ports 1 – on power ports 1 – on communication ports

⁽¹⁾ Use this Conductor Category information for planning conductor routing. Refer to publication [1770-4.1](#), Industrial Automation Wiring and Grounding Guidelines.

Input Specifications – 1732E-8CFGM8R, 1732E-IB8M8SOER

Attributes	Value
Number of inputs	8 Sink Type
On-state voltage	11V DC, min 24V DC, nom 30V DC, max
Off-state voltage, max	5V DC
On-state current, min	180 μ A @ 11V DC
On-state current, max	5.0 mA @ 30V DC
Off-state current, max	90 μ A @ 5V DC
Voltage sensor source, max	30V DC
Voltage sensor source, min	10V DC
Input filter	0 ms (default), 2 ms, 4 ms, 8 ms, and 16 ms

Output Specifications – 1732E-8CFGM8R, 1732E-OB8M8SR

Attributes	Value
Number of outputs	8 sourcing type
On-state voltage	11V DC, min 24V DC, nom 30V DC, max
On-state current	0.5 A per output, up to 4 A per module
Leakage current, off-state output, max	50 μ A
Pilot Duty Rating	DC-14
Surge current per output, max	1.2 A for 10 ms, repeatable every 2 s

Environmental Specifications

Attribute	Value
Temperature, operating	IEC 60068-2-1 (Test Ad, Operating Cold), IEC 60068-2-2 (Test Bd, Operating Dry Heat), IEC 60068-2-14 (Test Nb, Operating Thermal Shock): -20...60 °C (-4...140 °F)
Temperature, nonoperating	IEC 60068-2-1 (Test Ab, Unpackaged Nonoperating Cold), IEC 60068-2-2 (Test Bb, Unpackaged Nonoperating Dry Heat), IEC 60068-2-14 (Test Na, Unpackaged Nonoperating Thermal Shock): -40...85 °C (-40...185 °F)
Temperature, ambient, max	60 °C (140 °F)
Relative humidity	IEC 60068-2-30 (Test Db, Unpackaged Damp Heat): 5...95% noncondensing
Vibration	IEC60068-2-6 (Test Fc, Operating): 5 g @ 10...500 Hz
Shock, operating	IEC60068-2-27 (Test Ea, Unpackaged Shock): 30 g
Shock, nonoperating	IEC60068-2-27 (Test Ea, Unpackaged Shock): 50 g
Emissions	CISPR 11: Group 1, Class A
ESD immunity	IEC 61000-4-2: 6 kV contact discharges 8 kV air discharges
Radiated RF immunity	IEC 61000-4-3: 10V/m with 1 kHz sine-wave 80% AM from 80...2000 MHz 10V/m with 200 Hz 50% Pulse 100% AM @ 900 MHz 10V/m with 200 Hz 50% Pulse 100% AM @ 1890 MHz 1V/m with 1 kHz sine-wave 80% AM from 2000...2700 MHz
EFT/B immunity	IEC 61000-4-4: ±3 kV at 5 kHz on power ports ±3 kV at 5 kHz on signal ports ±3 kV at 5 kHz on communication ports
Surge transient immunity	IEC 61000-4-5: ±2 kV line-line(DM) and ±2 kV line-earth(CM) on power ports ±1 kV line-line(DM) and ±2 kV line-earth(CM) on signal ports ±2 kV line-earth(CM) on shielded ports ±2 kV line-earth(CM) on communication ports
Conducted RF immunity	IEC 61000-4-6: 10V rms with 1 kHz sine-wave 80% AM from 150 kHz...80 MHz
Enclosure type rating	Meets IP65/66/67/69K (when marked)

Certifications

Certification (when product is marked)⁽¹⁾	Value
c-UR-us	UL Recognized Component Industrial Control Equipment, certified for US and Canada. See UL File E322657.
CE	European Union 2004/108/EC EMC Directive, compliant with: EN 61326-1; Meas./Control/Lab., Industrial Requirements EN 61000-6-2; Industrial Immunity EN 61000-6-4; Industrial Emissions EN 61131-2; Programmable Controllers (Clause 8, Zone A & B)
C-Tick	Australian Radiocommunications Act, compliant with: AS/NZS CISPR 11; Industrial Emissions
KC	Korean Registration of Broadcasting and Communications Equipment, compliant with: Article 58-2 of Radio Waves Act, Clause 3
EtherNet/IP	ODVA conformance tested to EtherNet/IP specifications.

- ⁽¹⁾ See the Product Certification link at <http://www.rockwellautomation.com/products/certification/> for Declarations of Conformity, Certificates, and other certification details.

Allen-Bradley, Rockwell Automation, ArmorBlock, and TechConnect are trademarks of Rockwell Automation, Inc.

Trademarks not belonging to Rockwell Automation are property of their respective companies.

Rockwell Otomasyon Ticaret A.Ş., Kar Plaza İş Merkezi E Blok Kat:6 34752 İçerenköy, İstanbul, Tel: +90 (216) 5698400

www.rockwellautomation.com

Power, Control and Information Solutions Headquarters

Americas: Rockwell Automation, 1201 South Second Street, Milwaukee, WI 53204-2496 USA, Tel: (1) 414.382.2000, Fax: (1) 414.382.4444

Europe/Middle East/Africa: Rockwell Automation, Vorstlaan/Boulevard du Souverain 36, 1170 Brussels, Belgium, Tel: (32) 2 663 0600, Fax: (32) 2 663 0640

Asia Pacific: Rockwell Automation, Level 14, Core F, Cyberport 3, 100 Cyberport Road, Hong Kong, Tel: (852) 2887 4788, Fax: (852) 2508 1846

Publication 1732E-IN007B-EN-E - March 2014

Supersedes Publication 1732E-IN007A-EN-E - January 2012

Copyright © 2014 Rockwell Automation, Inc. All rights reserved.