

LMB Series Sealed Right-Angle Brackets



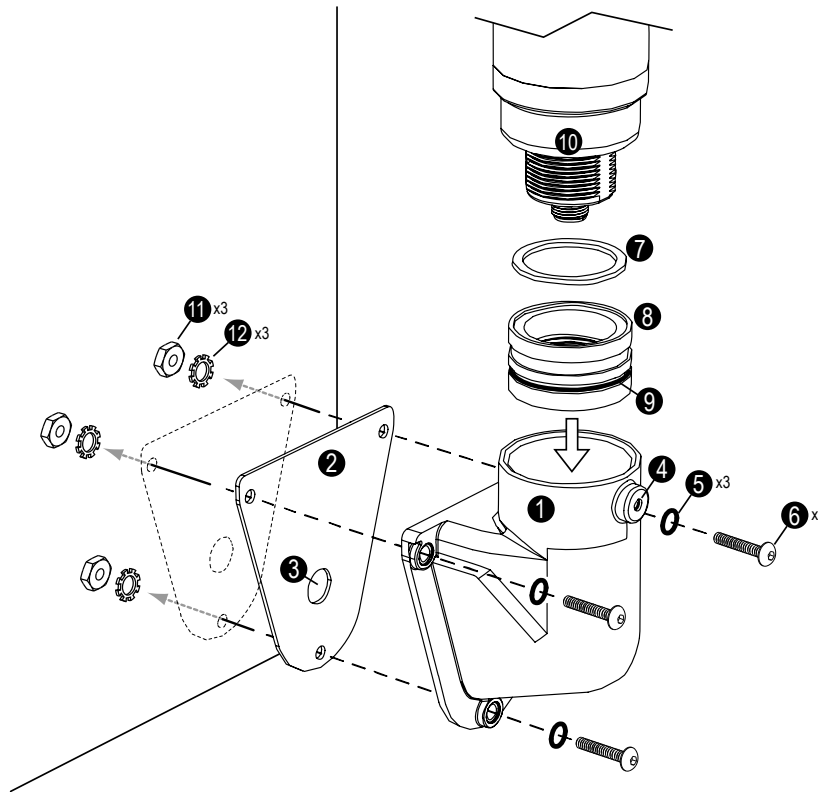
more sensors, more solutions

Watertight (IP67) mount for direct-mount or pipe-mount sensors or indicators with a 30 mm threaded base

For the latest technical information about this product, including specifications, dimensions, and wiring, see www.BannerEngineering.com

Models

Model	Description	Construction
LMB30RA	Bracket kit with base, 30 mm adapter, set screw, fasteners, o-rings and gaskets	Black polycarbonate
LMB30RAC		Gray polycarbonate



Key

- 1 = Right-angle bracket base
- 2 = Base gasket
- 3 = Base gasket wiring access port
- 4 = 8-32 set screw (Allen wrench supplied)
- 5 = (3) 5 mm o-rings
- 6 = (3) 5 mm button-head screws (requires M3 Allen wrench, user-supplied)
- 7 = 30 mm round gasket
- 8 = 30 mm adapter
- 9 = (1) 30 mm o-ring
- 10 = Sensor or light to be mounted, M30 x 1.5 thread
- 11 = M5 hex nut
- 12 = M5 external tooth lock washer

Installation Instructions

In order to achieve an IP67 installation, assemble the bracket and light components as shown.

- Using the base gasket as a template, mark drill holes (5.5 mm) in the mounting surface for the three screw holes and one (12.7 mm) for the wiring to extend through the surface, as needed.
- Holding the bracket base and gasket firmly against the mounting surface, insert a 5 mm o-ring on each M5 screw and fasten using washers and nuts supplied with bracket.
- Insert the 30 mm gasket onto the light/sensor threaded base.
- Screw the 30 mm adapter onto the light/sensor base (hand-tight), in the orientation as shown in the exploded drawing.
- Verify that the o-ring is in place on the adapter, as shown in the exploded drawing.

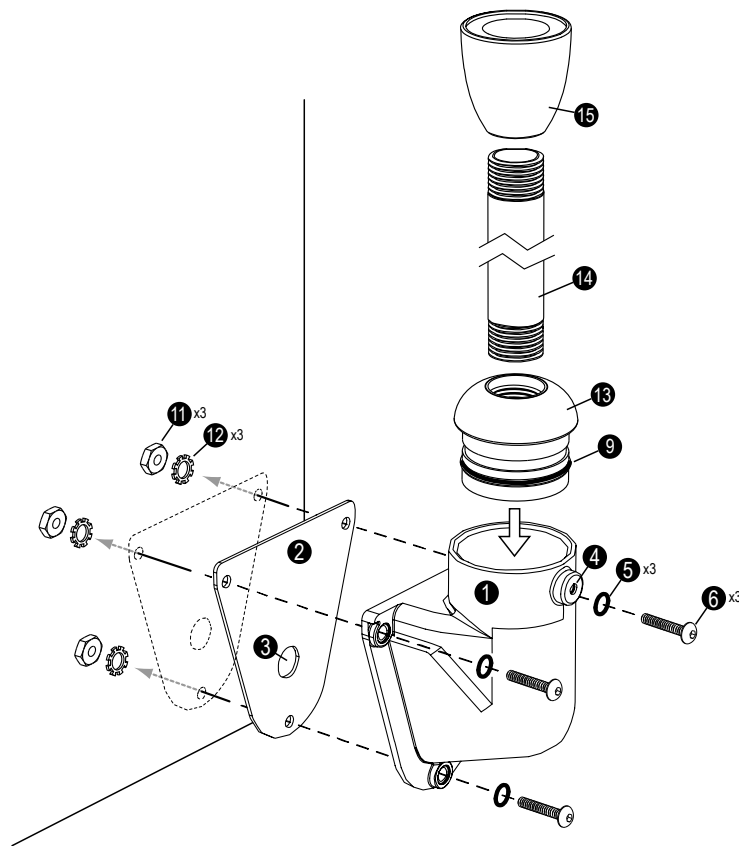
Additional Steps for Direct-Mount Applications

- Route the cable or QD cordset through the bracket. If sensor/indicator has a QD fitting, attach the cordset fitting firmly to the sensor/indicator connector.
- Rotate the light (or sensor) relative to the base until the correct orientation is achieved; press the light and adapter into the base. (If rotating the light after it is in the base, turn it only in a clockwise direction.)
- Tighten the set screw to 0.17 Nm (1.5 in-lbf) max. torque, using the supplied M3 Allen wrench.



Models

Model	Description	Construction
LMBE12RA	Bracket kit with base, 1/2-14 pipe adapter, set screw, fasteners, o-rings and gaskets. For use with stand-off pipe (listed and sold separately).	Black polycarbonate
LMBE12RAC		Gray polycarbonate



Key

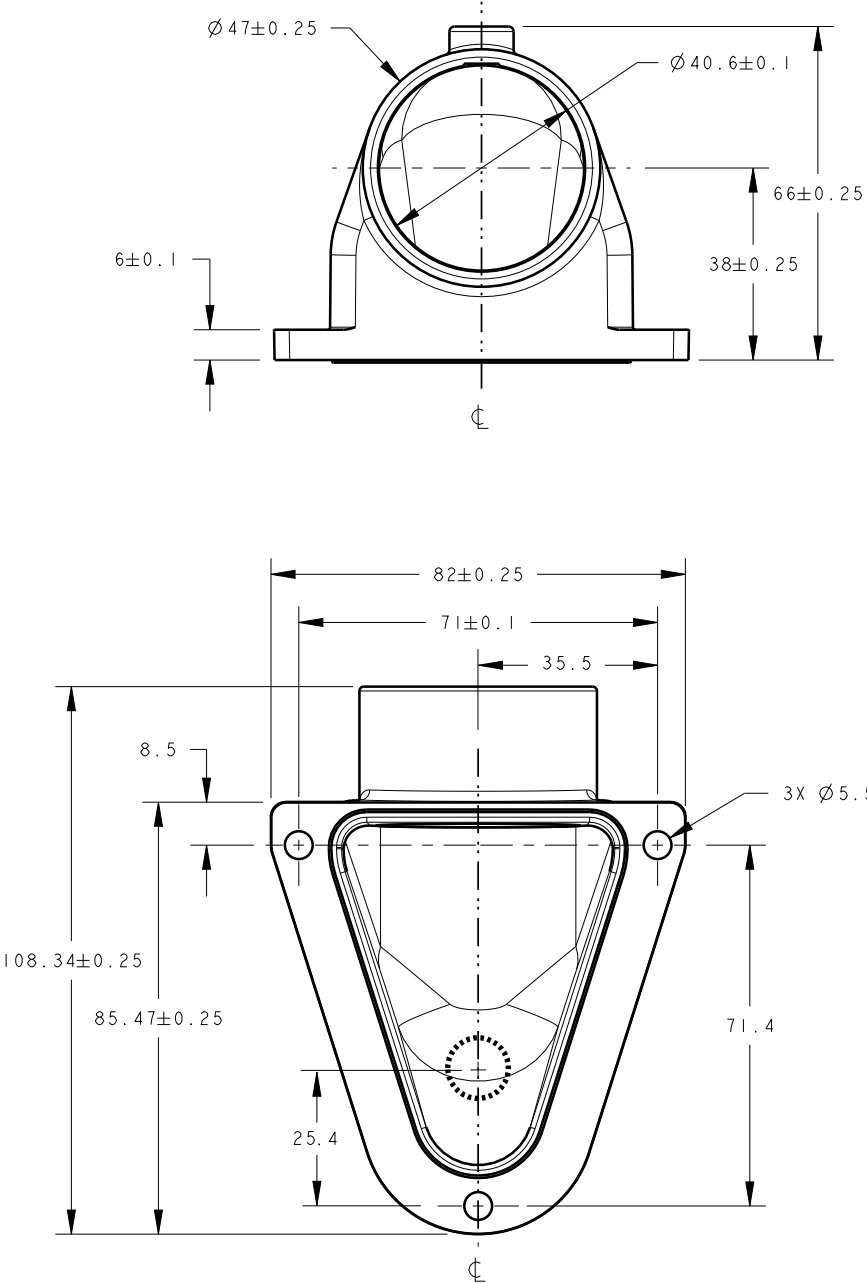
- 1 = Right-angle bracket base
- 2 = Base gasket
- 3 = Base gasket wiring access port
- 4 = 8-32 set screw (Allen wrench supplied)
- 5 = (3) 5 mm o-rings
- 6 = (3) 5 mm button-head screws (requires M3 Allen wrench, user-supplied)
- 9 = (1) 30 mm o-ring
- 11 = M5 hex nut
- 12 = M5 external tooth lock washer
- 13 = Pipe adapter
- 14 = SOP-E... Stand-off pipe (optional)
- 15 = SA-M30TE12 stand-off pipe (optional)

Additional Steps for Pipe-Mount Applications

1. Use a pipe sealant to seal the pipe end adapter, if a watertight connection is needed.
2. Insert the pipe adapter firmly into the base.
3. position the threaded pipe end into the adapter and screw snugly.
4. Attach the SA-M30TE12 stand-off pipe adapter to the pipe, screw snugly.
5. Route the cable or QD cordset through the bracket, pipe, and adapters. If sensor/indicator has a QD fitting, attach the cordset fitting firmly to the sensor/indicator connector.
6. Attach the sensor/indicator to the SA-M30TE12 stand-off pipe adapter. Rotate the light (or sensor) relative to the base until the correct orientation is achieved; press the light and adapter into the base.

Pipe Model	Description		Construction
SOP-E12-150SS	<ul style="list-style-type: none"> Elevated-use stand-off pipe (½" NPSM/DN15), ½ NPT thread at both ends Compatible with most industrial environments 	150 mm (6") long	Polished 304 stainless steel
SOP-E12-150A			Black anodized aluminum
SOP-E12-150AC			Clear anodized aluminum
SOP-E12-300SS		300 mm (12") long	Polished 304 stainless steel
SOP-E12-300A			Black anodized aluminum
SOP-E12-300AC			Clear anodized aluminum
SA-M30TE12	<ul style="list-style-type: none"> Streamlined stand-off pipe adapter/cover Connects between 30 mm light base and ½" NPSM/DN15 pipe Mounting hardware included 		Black acetal
SA-M30TE12C			White UHMW

Dimensions



Warranty: Banner Engineering Corporation warrants its products to be free from defects for a period of one year. Banner Engineering Corporation will repair or replace, free of charge, any product of its manufacture found to be defective at the time it is returned to the factory during the warranty period. This warranty does not cover damage or liability for the improper application or installation of Banner products. This warranty is in lieu of any other warranty either expressed or implied.