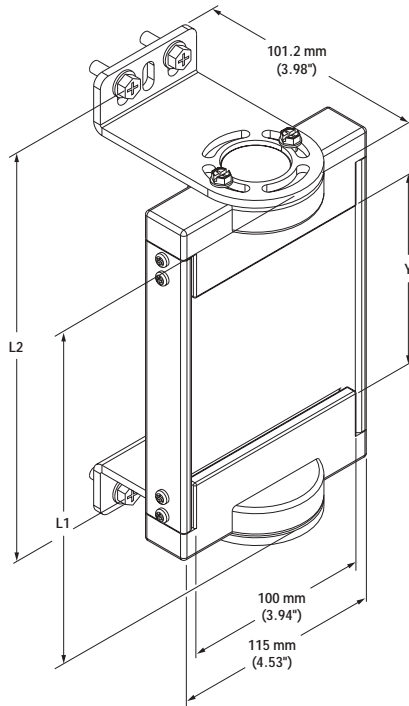


Features

- Allows use of one emitter/receiver pair to guard multiple sides of a machine
- Sturdy, robust construction
- Extra width for use with long-range optical safety systems
- Safety glass reflective surface provides 85 percent reflectivity (equal to MSM Series corner mirrors)
- Black anodized aluminum extrusion
- Molded PBT end caps
- Mounts easily to MSA Series stands or other surfaces
- Available in 20 lengths



Dimensions

Mirror Model	Reflective Area Height (Y)	Overall Height (L1)	Mounting Height (L2)*	Max. Light Screen Defined Area Height
SSM-100	100 mm (3.9")	178 mm (7.0")	211 mm (8.3")	50 mm (1.9")
SSM-150	150 mm (5.9")	228 mm (9.0")	261 mm (10.3")	100 mm (3.9")
SSM-200	200 mm (7.9")	278 mm (10.9")	311 mm (12.2")	150 mm (5.9")
SSM-250	250 mm (9.8")	328 mm (12.9")	361 mm (14.2")	200 mm (7.8")
SSM-375	375 mm (14.8")	453 mm (17.8")	486 mm (19.1")	325 mm (12.8")
SSM-475	475 mm (18.7")	553 mm (21.8")	586 mm (23.1")	425 mm (16.7")
SSM-550	550 mm (21.7")	628 mm (24.7")	661 mm (26.0")	500 mm (19.7")
SSM-675	675 mm (26.6")	753 mm (29.6")	786 mm (31.0")	625 mm (24.6")
SSM-825	825 mm (32.5")	903 mm (35.6")	936 mm (36.9")	775 mm (30.5")
SSM-875	875 mm (34.4")	953 mm (37.5")	986 mm (38.8")	825 mm (32.5")
SSM-975	975 mm (38.4")	1053 mm (41.5")	1086 mm (42.8")	925 mm (36.4")
SSM-1100	1100 mm (43.3")	1178 mm (46.4")	1211 mm (47.7")	1050 mm (41.3")
SSM-1175	1175 mm (46.3")	1253 mm (49.3")	1286 mm (50.6")	1125 mm (44.3")
SSM-1275	1275 mm (50.2")	1353 mm (53.3")	1386 mm (54.6")	1225 mm (48.2")
SSM-1400	1400 mm (55.1")	1478 mm (58.2")	1511 mm (59.5")	1350 mm (53.1")
SSM-1475	1475 mm (58.1")	1553 mm (61.1")	1586 mm (62.5")	1425 mm (56.1")
SSM-1550	1550 mm (61.0")	1628 mm (64.1")	1661 mm (65.4")	1500 mm (59.1")
SSM-1675	1675 mm (65.9")	1753 mm (69.0")	1786 mm (70.3")	1625 mm (63.9")
SSM-1750	1750 mm (68.9")	1828 mm (72.0")	1861 mm (73.3")	1700 mm (66.9")
SSM-1900	1900 mm (74.8")	1978 mm (77.9")	2011 mm (79.2")	1850 mm (72.8")

*Note: The mounting brackets may be inverted from the positions shown at left (flanges pointing "inward" instead of "outward," as shown). When this is done, dimension L2 decreases by 66 mm (2.6").

SSM Series Corner Mirrors

Description

Banner SSM Series corner mirrors are designed for use with MICRO-SCREEN®, MINI-SCREEN®, and EZ-SCREEN® Safety Light Screen systems, and other optical safety systems, including the EZ-SCREEN Safety Light Grid. They enable guarding along more than one side of an area using only one emitter/receiver pair.

SSM Series mirrors are compact and extremely robust to withstand industrial environments. Brackets are included for quick and easy mounting. Once mounted, a unique mirror end cap design allows rotation of the mirror to any angle.

The rear-surface glass mirrors are rated at 85 percent efficiency. See pages 3 and 4 for specific information on sensing range and excess gain.

SSM Series mirrors are available in 20 lengths; see table on page 1. SSM Series mirrors may be used with light screen sensors up to 72" long. The table on page 1 recommends which mirror to use with the applicable sensors. The mirror height (Y) should be a minimum of 2" longer than the distance between the top and bottom beams.

Each mirror is supplied with two mounting brackets and associated hardware (see dimension drawing).

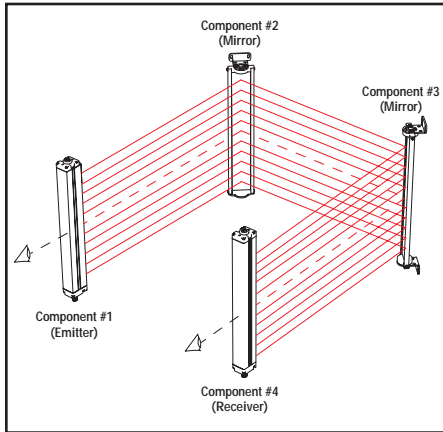
Mirrors should be securely mounted to a solid surface that is free from vibration. Mirrors must be mounted parallel to their sensors, with the midpoint of the mirror(s) directly in line with the midpoint of the sensor's defined area.

MSA Series stands may be used to mount SSM Series mirrors (requires adapter kit EZA-MBK-2, P/N 38722, sold separately). These stands offer an extruded channel design for convenient mirror (or sensor) height adjustment. See data sheet P/N 43687 for complete information. Several stand heights are available:

Stand Model	Part Number	Stand Height	Mirror Length	
			Brackets Outward	Brackets Inward
MSA-S24-1	43174	24"	100 mm to 250 mm	100 mm to 375 mm
MSA-S42-1	43175	42"	100 mm to 675 mm	100 mm to 825 mm
MSA-S66-1	43176	66"	100 mm to 1275 mm	100 mm to 1275 mm
MSA-S84-1	52397	84"	100 mm to 1675 mm	100 mm to 1900 mm

SSM Series Construction

Mirror	Safety glass; rear-surface mirror
Mirror Frame	Molded PBT end caps; rigid aluminum extrusion
Bracket	Cold-rolled steel; black zinc chromate finish
Routine Maintenance	Mirrors should be cleaned with a mild glass cleaning solution and a soft cloth



Corner Mirror Alignment

Alignment of Sensors and Corner Mirrors

Mount the mirror(s) and the sensors so that they are all parallel. Use a level, if possible. Adjust the position of the sensors and the mirror(s) so that the midpoint of the mirror(s) and the sensors defined areas are even. (A line connecting the midpoint of all components is illustrated by the dashed line in the drawing.) The midpoint of the defined area of a MICRO-SCREEN or EZ-SCREEN (safety light screen) sensor is the midpoint of the window. The upper and lower limits of the defined area of MINI-SCREEN sensors are marked by arrows along the edge of each sensor window, and are dimensioned in the appropriate instruction manual. The midpoint of the defined area of MACHINE-GUARD/PERIMETER-GUARD sensors corresponds to the midpoint of the sensor length. For EZ-SCREEN Grid sensors, the midpoint is between the top and bottom dots on the housing, adjacent to the sensing window.

Adjust the corner mirror(s) so that the angle of incidence to the mirrors equals the angle of reflection from the mirror. Sight from behind one of the sensors directly towards the mirror (or the first mirror in line). When alignment is correct, you will see the straight and centered reflection of the lens of the other sensor in the mirror.

Use the alignment indicator(s) of the safety light screen system (and the appropriate instruction manual) for final alignment.

Range Reduction Using SSM Series Corner Mirrors

Use of corner mirrors reduces light screen range (the maximum separation between the emitter and receiver). The following table lists the resultant range when using from one to four SSM Series corner mirrors in the sensing path.

Maximized excess gain is always important when installing a safety light screen. Use hard guarding whenever possible to reduce the overall sensing range and the number of mirrors required. Also, keep sensor lenses and mirrors clean and properly aligned.

Light Screen/Light Grid Maximum Range						
Light Screen/Light Grid Sensors		0 Mirrors	1 Mirror	2 Mirrors	3 Mirrors	4 Mirrors
MICRO-SCREEN	Standard Series	9 m (30')	8.5 m (28')	7.8 m (25.5')	7.2 m (23.5')	6.7 m (22')
	V-Series – 24" to 48"	9 m (30')	8.5 m (28')	7.8 m (25.5')	7.2 m (23.5')	6.7 m (22')
	V-Series – 56", 64", 72"	6 m (20')	5.6 m (18.4')	5.2 m (17.0')	4.8 m (15.7')	4.4 m (14.5')
MINI-SCREEN	Standard Series	9 m (30')	8.5 m (28')	7.8 m (25.5')	7.2 m (23.5')	6.7 m (22')
	XL-Series	18 m (60')	16.8 m (56')	15.5 m (51')	14.3 m (47')	13.1m (43')
MACHINE-GUARD/ PERIMETER-GUARD		14 m (45')	12.6 m (41.5')	11.6 m (38')	10.7 m (35')	9.9 m (32.5')
EZ-SCREEN Grid/Point	Short-Range	20 m (65')	18.4 m (60')	17 m (55.5')	15.7 m (51.5')	14.5 m (47.5')
	Long-Range	70 m (230')	64.6 m (212')	59.5 m (195')	54.9 m (180')	50.6 m (166')
EZ-SCREEN	14 mm Resolution	6 m (20')	5.6 m (18.4')	5.2 m (17.0')	4.8 m (15.7')	4.4 m (14.5')
	30 mm Resolution	18 m (60')	16.8 m (55')	15.5 m (51')	14.3 m (47')	13.1m (43')

SSM Series Corner Mirrors

Excess Gain

Given the range from the above chart, excess gain can be calculated for any distance by using the inverse square law. For example, the excess gain for a 30' range MINI-SCREEN system at a 10' separation, using two corner mirrors, is calculated as follows:

$$\frac{\text{E.G.}}{1x} = \frac{(25.5')^2}{(10')^2} = 6.5 \quad \text{E.G.} = (1x) (6.5) = 6.5x$$

For the same situation at a 10' separation, using MACHINE-GUARD sensors:

$$\frac{\text{E.G.}}{3x^*} = \frac{(38')^2}{(10')^2} = 14.4 \quad \text{E.G.} = (3x) (14.4) = 43x$$

*Note: MACHINE-GUARD sensor range is the separation between emitter and receiver where 3x excess gain remains.

Excess Gain Value Guidelines

Maximum Excess Gain Required	Operating Environment
1.5x	Clean air: no dirt buildup on lenses or mirrors
5x	Slightly dirty: slight buildup of dust, dirt, oil, moisture, etc. on lenses or mirrors. Lenses and mirrors cleaned on a regular schedule.
10x	Moderately dirty: obvious contamination on lenses or mirrors (but not obscured). Lenses and mirrors cleaned occasionally or when necessary.
50x	Very dirty: heavy contamination on lenses and mirrors. Heavy fog, mist, dust, smoke, or oil film. Minimal cleaning of lenses and mirrors.



WARRANTY: Banner Engineering Corp. warrants its products to be free from defects for one year. Banner Engineering Corp. will repair or replace, free of charge, any product of its manufacture found to be defective at the time it is returned to the factory during the warranty period. This warranty does not cover damage or liability for the improper application of Banner products. This warranty is in lieu of any other warranty either expressed or implied.