

EZ-LIGHT™ Indicators – Audible

DC-operated indicators with steady or pulsed sound indication



Contact Factory for more information.

Features

- Rugged, cost-effective and easy-to-install indicators available in K50 or K80 housing style with steady or pulsed sound indication
- Two decibel levels with steady or pulsed tone
- Illuminated dome provides a big, easy-to-see green, red or yellow job light
- Compact devices are completely self-contained — no controller needed
- Choose NPN or PNP input, depending on model
- Immune to EMI and RFI interference
- 18 to 30V dc operation

Models

| Model | Construction | Connection* | LED Function** | Audible Tone† | Inputs |
|--------------|--|---------------|--------------------------------|------------------------|--------|
| K50LGRA1YPQ | 50 mm dome/ 30 mm mount polycarbonate | 5-pin Euro QD | 3 Color: Green, Red, Yellow | Steady (75 dB) | PNP |
| K50LGRA1YNQ | | | | | NPN |
| K50LGRA2YPQ | | | | Pulsed (75 dB) | PNP |
| K50LGRA2YNQ | | | | | NPN |
| K50LGRAL1YPQ | | | | Loud Steady (95 dB) | PNP |
| K50LGRAL1YNQ | | | | | NPN |
| K80LGRA1YPQ | 50 mm dome/ Flat or DIN-mount polycarbonate, nylon | | | Steady (75 dB) | PNP |
| K80LGRA1YNQ | | | | | NPN |
| K80LGRA2YPQ | | | | Pulsed (75 dB) | PNP |
| K80LGRA2YNQ | | | | | NPN |
| K80LGRAL1YPQ | | | | Loud Steady (95 dB) | PNP |
| K80LGRAL1YNQ | | | | | NPN |

* Integral QD models are listed. For 150 mm PVC pigtail with QD, replace **Q** with **QP** in model number (example, **K50LGRA1YPQP**). A model with a QD requires a mating cable (see page 3).

K50L Models: For 2 m (6.5') cable, omit suffix **Q** from model number (example, **K50LGRA1YP**).

K80L Models: For terminal-wired models, omit suffix **Q** from model number (example, **K80LGRA2YP**).

** Contact factory for other colors and color combinations.

† Typical decibel level is at a distance of 1 m.

⚠ WARNING . . . Not To Be Used for Personnel Protection


Never use these products as sensing devices for personnel protection. Doing so could lead to serious injury or death.

These sensors do NOT include the self-checking redundant circuitry necessary to allow their use in personnel safety applications. A sensor failure or malfunction can cause either an energized or de-energized sensor output condition. Consult your current Banner Safety Products catalog for safety products which meet OSHA, ANSI and IEC standards for personnel protection.

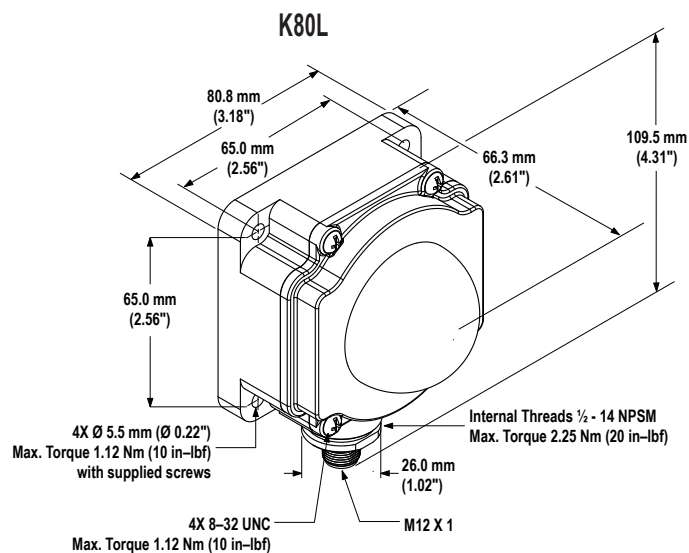
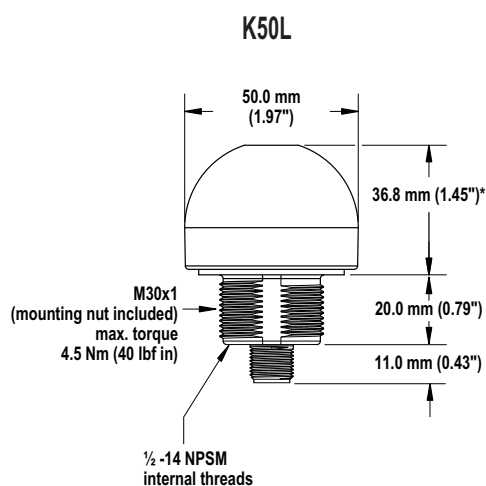


EZ-LIGHT™ Indicators – Audible

Specifications

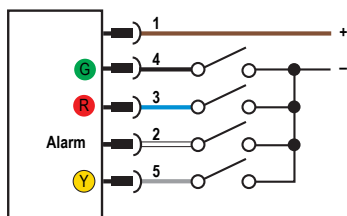
| | |
|----------------------------|---|
| Supply Voltage and Current | 18 to 30V dc @ 40 mA max. per LED color (alarm) |
| Indicators | LEDs or audible independently selected: Green, Red, Yellow |
| Input Response Time | Indicator ON/OFF: 10 ms (max.) |
| Oscillation Frequency | A1 models: 3 kHz ± 500 Hz A2 models: 3 kHz ± 500 Hz; pulse rate 3 Hz ± 20% AL1 models: 2.7 kHz ± 500 Hz |
| Environmental Rating | IEC IP50 |
| Connections | Integral 5-pin Euro-style QD, 150 mm PVC pigtail with QD, or 2 m (6.5') integral cable, depending on model K80L Models: Terminal-wired models for use with bulk cable available |
| Operating Conditions | -20° to +50° C (-4° to +122° F) |
| Certifications |  |

Dimensions



Hookups

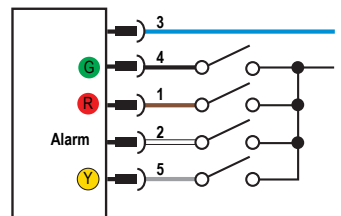
Sinking (NPN) Input



Wiring Key:

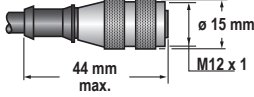
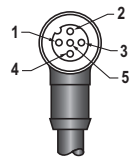
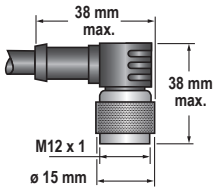
- 1 = Brown
- 2 = White
- 3 = Blue
- 4 = Black
- 5 = Gray

Sourcing (PNP) Input




Accessories

Quick-Disconnect (QD) Cables





| Style | Model | Length | Dimensions | Pinout |
|------------------------|---|--|--|---|
| 5-Pin Euro Straight | MQDC1-501.5 MQDC1-515 MQDC1-530 | 0.5 m (1.6') 5 m (15') 9 m (30') |  | <p>Female</p>  <p>1 = Brown 2 = White 3 = Blue 4 = Black 5 = Gray</p> |
| 5-Pin Euro Right-Angle | MQDC1-506RA MQDC1-515RA MQDC1-530RA | 2 m (6.5') 5 m (15') 9 m (30') |  | |

Mounting Brackets





K80L

| | | |
|--|--|-------------------|
|  | <ul style="list-style-type: none"> • Black reinforced thermoplastic • Bracket for mounting on 35 mm DIN rail | SMBDX80DIN |
|--|--|-------------------|

K50L

| | | |
|---|---|-------------------|
|  | <ul style="list-style-type: none"> • 12-ga. stainless steel right-angle mounting bracket with curved slot for versatile orientation • Clearance for M6 (1/4") hardware | SMB30A |
|  | <ul style="list-style-type: none"> • 30 mm 12-ga. stainless steel bracket with curved mounting slots for versatile orientation • Clearance for M6 (1/4") hardware • Articulation slots for 90°+ rotation | SMB30MM |
|  | <ul style="list-style-type: none"> • 12-ga. 300 series stainless steel • Right-angle SMBAMS series bracket with 30 mm hole for mounting sensors • Articulation slots for 90°+ rotation | SMBAMS30RA |
|  | <ul style="list-style-type: none"> • 30 mm swivel bracket • Black reinforced thermoplastic polyester • Includes stainless steel mounting and swivel locking hardware | SMB30SC |

EZ-LIGHT™ Indicators – Audible

| K50L (continued) | | |
|---|---|-------------------------|
|  | <ul style="list-style-type: none"> • 12-ga. 300 series stainless steel • Right-angle bracket with 30 mm hole for mounting sensors • Attachment clamp allows 360° rotation • Threaded rod through-mounts to mounting surface | <p>SMB30FA</p> |
|  | <ul style="list-style-type: none"> • 12-ga. 300 series stainless steel • Flat SMBAMS series bracket with 30 mm hole for mounting sensors • Articulation slots for 90°+ rotation | <p>SMBAMS30P</p> |
|  | <ul style="list-style-type: none"> • V-clamp, straight bracket and fasteners for mounting sensors to pipe or extrusions • Clamp accommodates 28 mm dia. tubing or 1" square extrusions • 30 mm hole for mounting sensors | <p>SMB30FVK</p> |
|  | <ul style="list-style-type: none"> • V-clamp, right-angle bracket and fasteners for mounting sensors to pipe or extrusions • Clamp accommodates 28 mm dia. tubing or 1" square extrusions • 30 mm hole for mounting sensors | <p>SMB30RAVK</p> |



WARRANTY: Banner Engineering Corp. warrants its products to be free from defects for one year. Banner Engineering Corp. will repair or replace, free of charge, any product of its manufacture found to be defective at the time it is returned to the factory during the warranty period. This warranty does not cover damage or liability for the improper application of Banner products. This warranty is in lieu of any other warranty either expressed or implied.