

Installation Instructions for Bell Grid Kit

Cat. No. 340-4-GRID, 340-6-GRID and 340-10-GRID

For use with 332, 333, 340, 435 non-hazardous location bells.

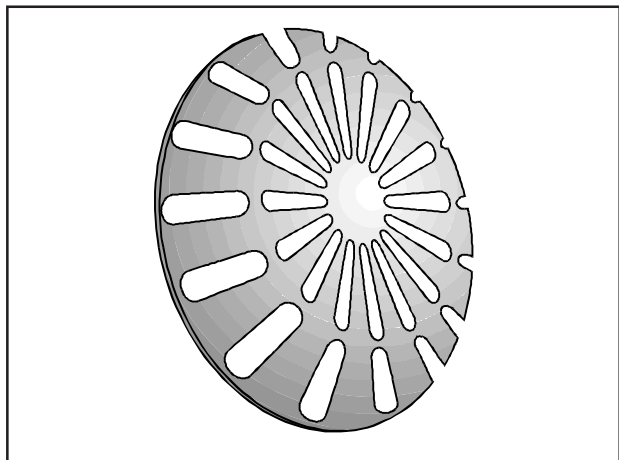


Figure 1. Bell Grid Kit

INSTALLATION

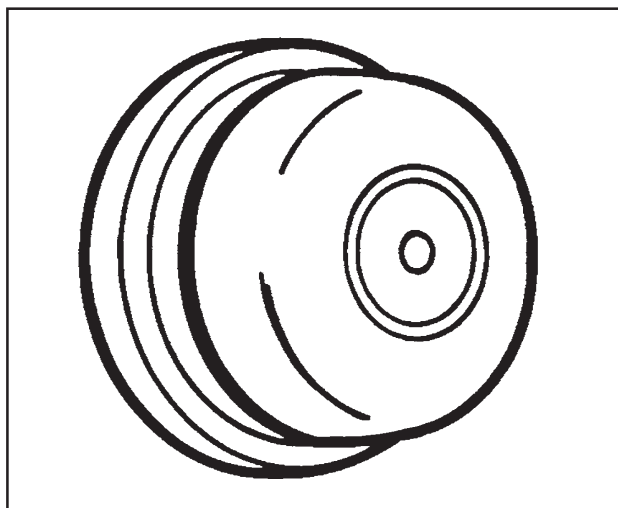


Figure 2. 332/340 Series Bell

1. If installing the Edwards Bell Grid Kit on either a 332 or 340 Series Bell, install the bell in accordance with the instructions provided with the bell, Installation Sheet P-023699-0001. Mount the grid as follows:

Note: When removing the bell gong, support the bell plunger to prevent it from falling out of the bell housing.

- a. Remove the gong bolt and bell gong.

- b. For 4" Bells, replace the gong bolt removed in Step a. with the 1/4-20 hex head screw (Part Number P-041264-0001059) supplied with the bell grid kit.
- c. For 6", 8" and 10" Bells, replace the gong bolt removed in Step a. with the 5/16-18 hex head screw (Part Number P-041271-0003059) supplied with the bell grid kit.
- d. Using the proper bolt, align the bell gong and grid over the bell housing assembly. Tighten the gong bolt. The gong and grid are properly aligned on the bell housing when the alignment guide cast into the underside of the gong seats into the notch on the bell housing.

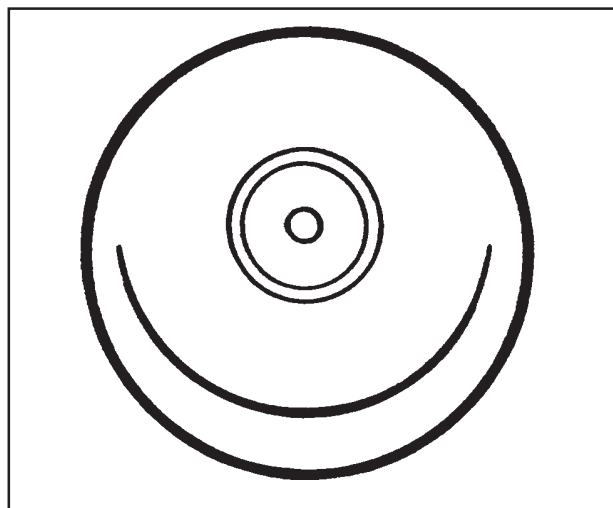


Figure 3. 435 Series Bell

2. If installing the Edwards Bell Grid Kit on a 435 Series Bell, install the bell in accordance with the instructions provided with the bell, Installation Sheet P-047550-0006. Mount the grid as follows:
 - a. Remove the bell gong bolt and bell gong.
 - b. For 4" Bells, replace the gong bolt removed in Step a. with the 1/4-20 hex head screw (Part Number P-041264-0001059) supplied with the bell grid kit.
 - c. For 6", 8" and 10" Bells, replace the gong bolt removed in Step a. with the 5/16-18 hex head screw (Part Number P-041271-0003059) supplied with the bell grid kit.
 - d. Using the proper bolt, align the bell gong and grid over the bell housing assembly. Tighten the gong bolt. The gong and grid are properly aligned on the bell housing when the alignment guide cast into the underside of the gong seats into the notch on the bell housing.