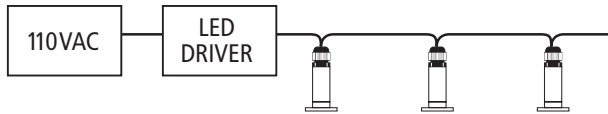


## CORROSION WARNING

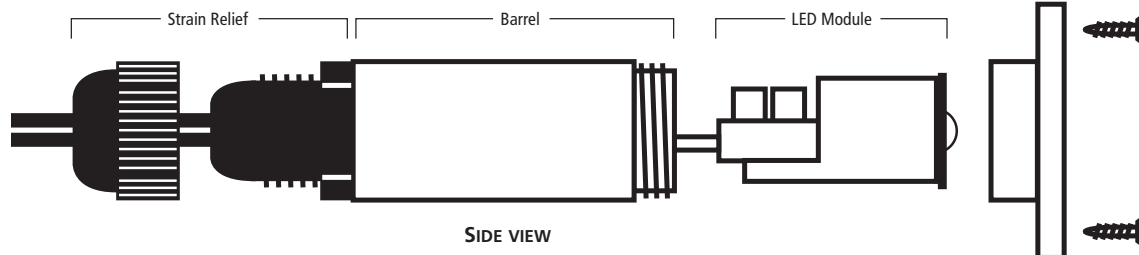
1. Use of any masonry washing fluid will damage the fixture finish and eventually destroy the fixture. The fixtures should only be installed after all masonry "Acid Wash" is completed. To clean fixture use a mild soap and warm water.
2. Use of salt or any "Ice Melt" product on metal fixtures will result in premature corrosion of the fixture, powder coating separation, or both. Use only sand for ice treatment around LED MiniDisc products, and then very sparingly.
3. For all environments close to water, or salt air, we strongly recommend the Stainless Steel fixture option.

## INSTALLATION



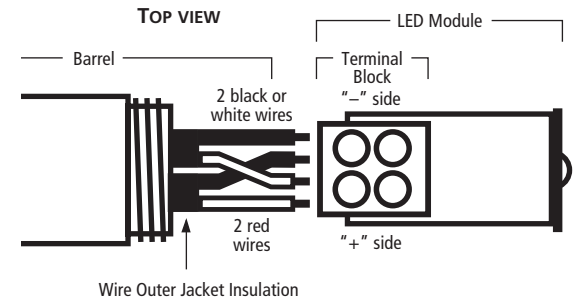
Determine where you wish the LED MiniDisc Light to be placed.

1. Drill a 1.0" diameter hole into mounting surface. LED MiniDisc Lights will require a hole of at least 3-1/2" long x 1.0" diameter. If you wish to recess the cover of the LED MiniDisc Light for a totally flush mount, you will need to center drill an additional 2.0" diameter hole, 5/32" deep. Note that an 18 gauge wire will also have to pass from LED Driver to all LED MiniDisc Lights.
2. Place LED MiniDisc Lights loosely into holes, do not mount at this time.
3. Locate LED Driver adjacent to 110VAC. Remember, 100 LED MiniDisc Lights maximum



per LED Driver. Leave LED Driver unattached to 110VAC power.

4. Use only 18G wire of the following specifications:
  - For all applications with wire interior to a wall, use only UL listed 18G wire labeled "CL2", NSL part number LW-18G-CL2.
  - For all outdoor or burial applications, use only UL listed 18G wire labeled "Sprinkler Wire" or "Direct Burial", NSL part number LW-18G-BUR.
5. Disassemble LED MiniDisc Light per diagram below. Bring power wire from LED Driver to LED MiniDisc Lights and strip insulation off of the wire leaving 3/8" of bare copper wire.
6. Bring both the incoming power wire, and the outgoing power wire, into the LED MiniDisc Light strain relief by pushing each through the respective hole in strain relief rubber gland. The complete wire, including the outer insulation jacket, must go through the gland to maintain a water tight seal. If you encounter difficulty inserting wire into the gland, apply a small amount of Vaseline on the outside of the wire and gently use pliers to assist insertion. Once through the strain relief gland, separate the incoming and outgoing power wires into two sets of black or white, and two sets of red wires. See diagram above.
7. Note polarity in terminal block. Attach both black or white wires to the "-" side. Attach both red wires to the "+" side. Tighten terminal block screws. See diagram above.
8. Pull wires and LED module into LED MiniDisc Light barrel until LED module is flush with top of barrel. Screw on cover firmly. Tighten strain relief nut firmly.



### VERY IMPORTANT!

**TO PROPERLY TIGHTEN THE BLACK PLASTIC STRAIN RELIEF NUT, FIRST TIGHTEN FIRMLY WITH YOUR HAND, THEN TIGHTEN AN ADDITIONAL ONE-HALF TURN WITH A 7/8" OPEN END WRENCH.**

9. On the last LED MiniDisc Light in the run, you will only have one incoming power wire, no outgoing power wire. On this LED MiniDisc Light place the incoming power wire through one hole in the strain relief, and in the other hole place acrylic rod included with this instruction sheet.
10. Bring power wire from first LED MiniDisc Light through a proper strain relief, and into the LED Driver. Note polarity. Place black or white power wire into "-" side, and red power wire into "+" side of LED Driver output.
11. Assure all connections and strain reliefs are firmly tightened, cover is tight on LED Driver, and then hard wire LED Driver to 110VAC.
12. LED MiniDisc Light will illuminate in about 3 seconds. If all do not illuminate, check connections and polarity at the LED Driver. If one does not illuminate, check connections and polarity at the unlit LED MiniDisc Light.
13. With system working properly, attach LED MiniDisc Lights to mounting surface by securing mounting screws provided through LED MiniDisc Light cover and into mounting surface.

**NATIONAL SPECIALTY LIGHTING**  
ARCHITECTURAL AND DECORATIVE LIGHTING  
LOUISVILLE, CO 80027  
www.nslusa.com

© 2012 National Specialty Lighting

## WARNING

To reduce the risk of fire, electrical shock, or injury to persons:

### LED DRIVER SELECTION

#### 1. Non-Dimming

If you do not wish to dim the LED MiniDisc use our Class 2 LED Driver, Model LEDDR-12-60W. This driver will work from 1 fixture to 100 fixtures.

#### 2. Dimming

If you wish to dim the LED MiniDisc use the following Class 2 LED Drivers and follow the minimum/maximum chart below:

	Min. No. of Fixtures	Max. No. of Fixtures
TR12L20DC	16	32
TR12L40DC	30	60
TR12L60DC	50	100

3. Our 12 Volt Direct Current dimmable LED magnetic power supplies are designed to work with most 'stand alone' low voltage magnetic analog dimmers. A recommended dimmer list is as follows:

LUTRON "Ariadni" AYLV-600PH

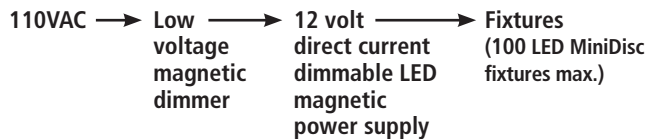
LUTRON "Lyneo" LXLV-600PL

LUTRON "Skylark" SLV-600P

LUTRON "Diva" DVLV-600PH

LUTRON "Glyder" GLV-600

Carefully following the dimmer instructions, dimmable LED magnetic power supply instructions, and the NEC, wire dimmer between 110VAC power input and 12 Volt Direct Current dimmable LED power supply.



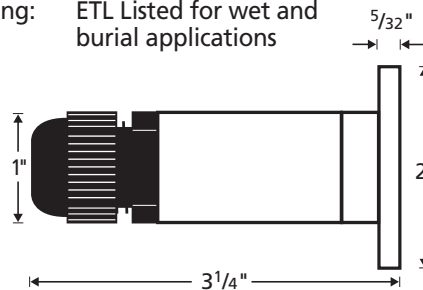
### WIRING INSTRUCTIONS

1. Parallel wire LED MiniDisc Lights to LED Driver.
2. Use only 18G wire of the following specifications:
  - For all applications with wire interior to a wall, use only listed 18G wire labeled "CL2", NSL part number LW-18G-CL2.
  - For all outdoor or burial applications, use only listed 18G wire labeled "Sprinkler Wire" or "Direct Burial", NSL part number LW-18G-BUR.
3. First, make sure LED Driver is not receiving power in any way. Wire LED MiniDisc Lights per these instructions, assure proper tightness on all terminal blocks, strain reliefs, and MiniDisc Light covers, and **then** apply 110VAC power to LED Driver.
4. Do not try to adjust, fix, rewire, LED module. In the unlikely event LED module does not illuminate, check wiring polarity and terminal block first. If this does not work, send complete fixture back for warranty replacement, if applicable.

**NOTE:** These products may represent a possible shock or fire hazard if improperly installed or attached in any way. Products should be installed in accordance with the owner's manual, current local codes, and/or the current National Electrical Code (NEC).

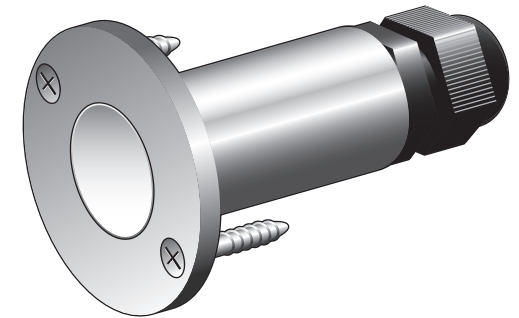
### SPECIFICATIONS

Electrical Rating Per MiniDisc Light:	0.54 watts, 44mA, 12VDC
Max. MiniDisc Lights Per Run:	100 MiniDisc Lights per 60 watt LED Driver
Average LED Life:	60,000 hours
Finish Options:	Natural Aluminum, Black, White, Bronze, Stainless Steel
Lens:	Frosted
ETL Listing:	ETL Listed for wet and burial applications



## INSTALLATION INSTRUCTIONS

# LED MINIDISC LIGHT



### APPLICATIONS

- Steps
- Aisles
- Paths
- Driveways
- Direction Lighting
- Information Lighting
- Decorative Lighting
- Merchandising
- Landscape Accents

**NSL**  
NATIONAL SPECIALTY LIGHTING

**ETL**  
Intertek  
Wet, IC and Direct  
Burial Locations