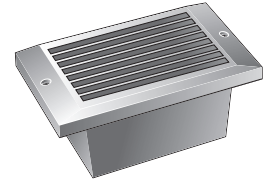
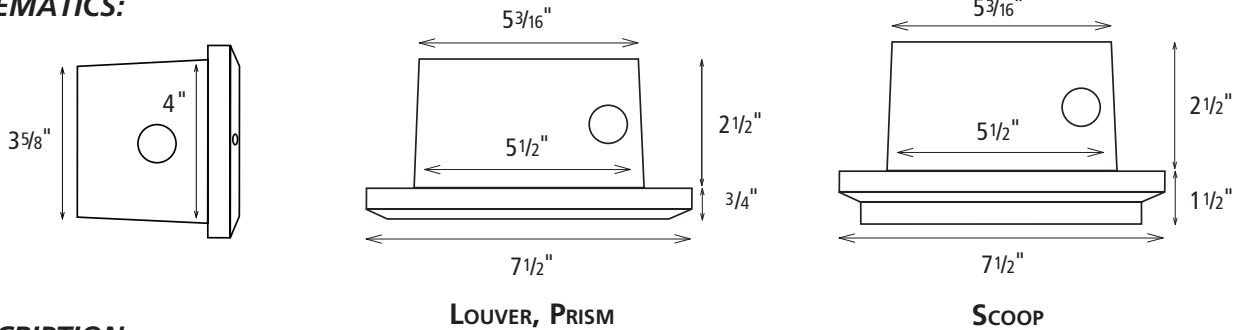


# LED STEP LIGHT



## SCHEMATICS:



## DESCRIPTION:

Die cast aluminum wall mount LED step light fixture of only 6.5 watts. 80% energy savings vs. Xenon/Halogen technologies. 110VAC input and output of fixture up to 75 fixtures per 15A tap. 60,000 hour average life LEDs of 3300K color temperature. UL listed Wet Location for all interior and exterior wall, ceiling, and concrete pour applications. Offered in three cover styles and four fixture finishes.

## APPLICATIONS

- ▶ Interior steps
- ▶ Exterior steps
- ▶ Aisles
- ▶ Halls
- ▶ Paths
- ▶ Patio lighting
- ▶ Entry lighting
- ▶ Post lighting
- ▶ Ceilings
- ▶ Showers

## FEATURES

- ▶ UL listed Wet Location for all interior and exterior wall, ceiling, and concrete pour applications.
- ▶ Low 6.5 watts per fixture energy usage
- ▶ Up to 75 fixtures per 110VAC tap
- ▶ 3 cover designs: Louver, Prism and Scoop
- ▶ 4 cover color options: White, Bronze, Black or Aluminum
- ▶ 60,000-hour average LED life
- ▶ 110V Power Input
- ▶ Integral LED Driver in each fixture
- ▶ Frosted glass lens
- ▶ Die cast aluminum can and cover; suitable for concrete pour
- ▶ 110V push-in connectors included for ease of power input
- ▶ Each fixture ships complete with can and cover

## ORDERING LOGIC:

LSL-Z-XX-YY

### Z = FIXTURE TYPE

L = Louver Cover  
S = Scoop Cover  
P = Prism Cover

### XX = LED COLOR

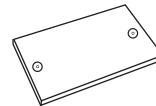
WH = White

### YY = FIXTURE FINISH

WH = White  
BZ = Bronze  
BK = Black  
AL = Aluminum

## SPECIFICATIONS:

<b>Voltage</b>	110VAC
<b>Fixture Energy Rating</b>	110VAC, 65mA, 6.5 watts
<b>Average LED Life</b>	60,000 hours
<b>LED Color Temperature</b>	3800K +/- 200K
<b>Cover Finish</b>	White, bronze, aluminum, black
<b>Can Finish</b>	White with white reflector
<b>Packaging</b>	Individually packaged in 2-color corrugated box.
<b>Construction</b>	Both cover and can are die cast aluminum for corrosion protection, strength, weight, and consistency of finish.
<b>Lens</b>	Frosted tempered glass
<b>Wiring Options</b>	110V can be parallel wired ("daisy chained") up to 75 fixtures per tap. Check local code and NEC for wiring selection
<b>Dimming</b>	Not for use with dimmers.
<b>Agency Approval</b>	UL listed Wet Location for all interior and exterior wall, ceiling, and concrete pour applications.



SL-CC  
Step Light Concrete Cap  
Required for all concrete pour and brick wall applications.



<b>PROJECT:</b>	<b>TYPE:</b>
<b>NOTES:</b>	