

LR6-277V

Six-Inch LED Downlight

Product Description

The LR6-277V LED downlight delivers 650 lumens of exceptional 90+ CRI light while achieving over 60 lumens per watt. This breakthrough performance is achieved by combining the high efficacy and high-quality light of Cree TrueWhite® Technology. The LR6-277V is available in warm or neutral color temperatures and has a variety of trim options. It must be used with Cree six-inch 277V housings, making the LR6-277V perfect for use in commercial new construction applications.

Performance Summary

Utilizes Cree TrueWhite® Technology
Active Color Management
Delivered Light Output: 650 lumens
Input Power: 10.5 watts
CRI: 90
CCT: 2700K, 3500K
Warranty: 10 years*
Lifetime: Designed to last 50,000 hours
Dimming: Not dimmable

Ordering Information

Example: LR6-277V

Product
LR6-277V 2700K
LR6C-277V 3500K

NOTE: Intended for use with Cree six-inch 277V housings.

Housings & Accessories

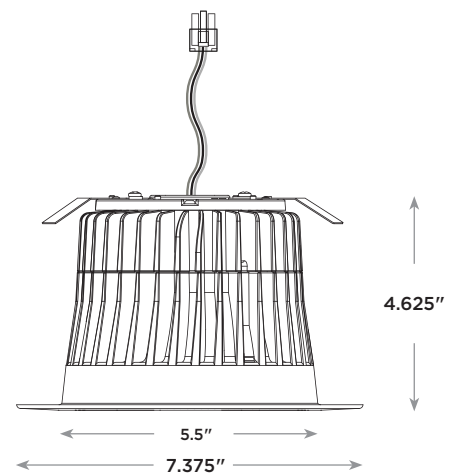
Reference Housing & Accessory documents for more details.

Trims	
LT6A Diffuse anodized finish	LT6AB Black anodized finish
LT6AW Wheat diffuse anodized finish	LT6WH Smooth white
LT6AP Pewter diffuse anodized finish	LT6BB Flat black finish trim and reflector

Housings (277V Only)	
H6-277V Architectural	SC6-277V Cylindrical Surface Mount
RC6-277V New Construction	SC6-CM-277V Cylindrical Cord Mount
RR6-277V Retrofit	SC6-WM-277V Cylindrical Wall Mount

* See www.cree.com/lighting for warranty terms.

LR6-277V



Rev. Date 11/01/2012



Product Specifications

CREE TRUEWHITE™ TECHNOLOGY

A revolutionary way to generate high-quality white light, Cree TrueWhite™ Technology mixes the light from the highest performing red and unsaturated yellow LEDs. This patented approach delivers an exclusive combination of 90+ CRI, beautiful light characteristics, and lifelong color consistency, all while maintaining high luminous efficacy—a true no compromise solution.

CONSTRUCTION & MATERIALS

- Durable die-cast aluminum housing protects LEDs, driver and power supply. Adjustable flip clips resist heat while providing retention for flush ceiling fit.
- Thermal management system uses integral heat sink to conduct heat away from LEDs and transfer it to the plenum space for optimal performance. LED junction temperatures stay below specified maximum even when installed in attic insulation with ambient temperatures exceeding 60 C.
- Suitable for insulated and non-insulated ceilings.
- One-piece aluminum lower reflector redirects light while also conducting heat away from LEDs. It creates a comfortable visual transition from the lens to the ceiling plane and easily accommodates LT6 snap-in trims.
- Must be used with Cree six-inch 277V housings.

OPTICAL SYSTEM

- Unique combination of reflective and refractive optical components achieves a uniform, comfortable appearance while eliminating pixelation and color fringing. This ensures smooth light patterns are projected with no hot spots and minimal striations.
- Components work together to optimize distribution, balancing the delivery of high illuminance levels on horizontal surfaces with an ideal amount of light on walls and vertical surfaces. This increases the perception of spaciousness.
- Diffusing lens shields direct view of LEDs while lower reflector balances brightness of lens with the ceiling to create a low-glare high angle appearance.

ELECTRICAL SYSTEM

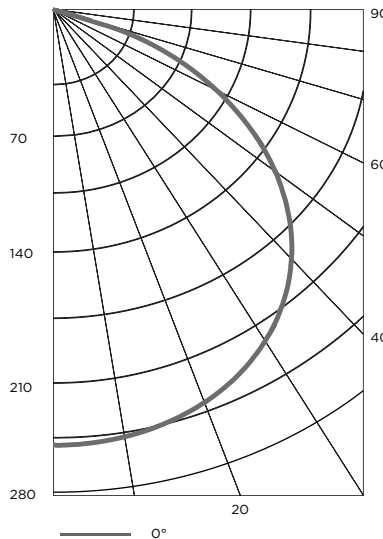
- Integral, high-efficiency driver and power supply.
- **Power Factor** > 0.9 nominal
- **Input Voltage:** 277V, 60Hz
- **Dimming:** Not dimmable.

REGULATORY & VOLUNTARY QUALIFICATIONS

- ENERGY STAR® qualified.
- cULus Listed
- Suitable for damp locations.

Photometry

LR6-277V LIGHTING SCIENCES INC. CERTIFIED TEST #: 22226



Intensity (Candlepower) Summary

Angle	Mean CP
0°	249
5°	248
15°	242
25°	228
35°	203
45°	165
55°	115
65°	62
75°	24
85°	6
90°	0

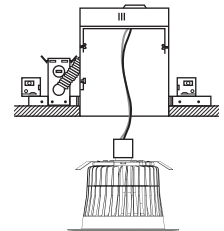
Zonal Lumen Summary

Zone	Lumens	% Lamp	% Fix
0-30	197	30.39%	30.39%
0-40	325	49.94%	49.94%
0-60	556	85.35%	85.35%
0-90	575	100%	100%

Reference www.cree.com/lighting for detailed photometric data.

Installation

- Designed to easily install in 277V 6" downlight housings from Cree.
- Quick install system utilizes a unique retention feature. Simply attach socket to LR6-277V. Move light to ready position and slide into housing.



NOTE: Reference www.cree.com/lighting for detailed installation instructions.

Application Reference

Open Space					
Spacing	Lumens	Wattage	LPW	w/ft²	Average FC
4 x 4	650	10.5	62	0.60	38
6 x 6				0.28	18
8 x 8				0.15	9
10 x 10				0.10	6

10' Ceiling, 80/50/20 Reflectances, 2.5 workplane.
LLF: 1.0 Initial. Open Space: 50' x 40' x 10'

Corridor					
Spacing	Lumens	Wattage	LPW	w/ft²	Average FC
4' on Center	650	10.5	62	0.40	12
6' on Center				0.27	8
8' on Center				0.20	6
10' on Center				0.17	5

10' Ceiling, 80/50/20 Reflectances, Light levels on the ground.
LLF: 1.0 Initial. Corridor: 6' Wide x 100' Long

