


U.I. Lapp GmbH	PRODUCT INFORMATION	
	EPIC® H-A 3 MTS	14.11.2013

Innovative metal and plastic housing design
Housing in plastic or metal version. For power supply in the smallest possible space



Industrial machinery and plant engineering



Mechanical resistance



Robust



Waterproof



Info

Compact, robust metal housings size H-A 3

Application range

Machine and equipment manufacturing
Control engineering
Electronic laboratory

Product features

Hood
Bolts for single lever
Side cable entry
Versions with / without cable gland

Remark

Photographs are not to scale and do not represent detailed images of the respective products.


Technical Data

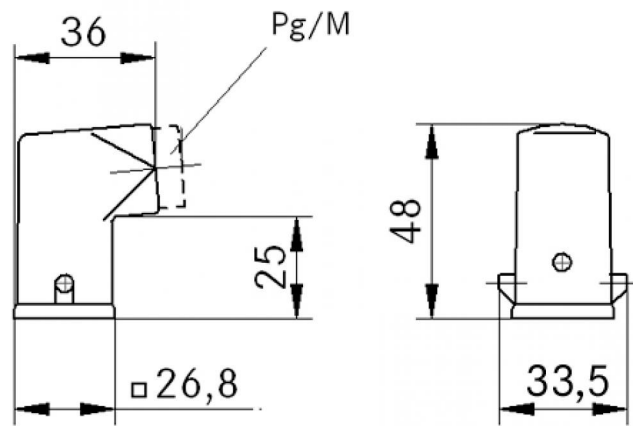
Material:	Housing: powder-coated zinc die-casting, grey Lever: zinc-plated steel
Protection rating:	IP 65 (latched)
Temperature range:	-40 °C to +100 °C, short-term up to +125 °C
VDE-tested:	Certified production control: VDE-REG. no.: B437 UL-tested: UL File Number: E75770

Product Management	Document: LAPP_PRO125869EN.pdf	1 / 3
--------------------	--------------------------------	-------



Part number	Article	M	PG	Material	Colour	Cable gland	Cable clamping range	Dimensions incl. cable gland	Pieces / PU
H-A housing: hood (side cable entry)									
10512300	H-A 3 MTs		11	Zinc die-casting	grey				10
10427500	H-A 3 MTs		11	Zinc die-casting	grey	yes	6,5 - 12	43	10
19512300	H-A 3 Ts M20	20		Zinc die-casting	grey				10
19427500	H-A 3 Ts M20	20		Zinc die-casting	grey	yes	3 - 13,5	43	10

U.I. Lapp GmbH	PRODUCT INFORMATION	 LAPP GROUP
	EPIC® H-A 3 MTS	14.11.2013



Product Management	Document: LAPP_PRO125869EN.pdf	3 / 3
--------------------	--------------------------------	-------