
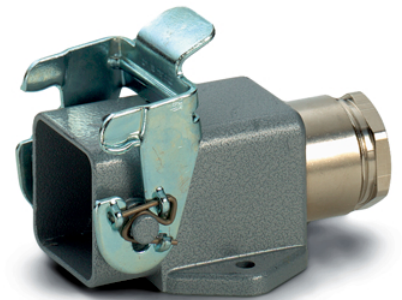


U.I. Lapp GmbH	PRODUCT INFORMATION	
	EPIC® H-A 3 AGSV	14.11.2013

Innovative metal and plastic housing design
Housing in plastic or metal version. For power supply in the smallest possible space



Industrial machinery and plant engineering



Mechanical resistance



Robust



Waterproof

Info

Compact, robust metal- and plastic housings size H-A 3

Application range

Machine and equipment manufacturing
Control engineering
Electronic laboratory

Product features

Surface-mount base
1 lever
1 cable entry
Versions with / without cable gland

Remark

Photographs are not to scale and do not represent detailed images of the respective products.


Technical Data

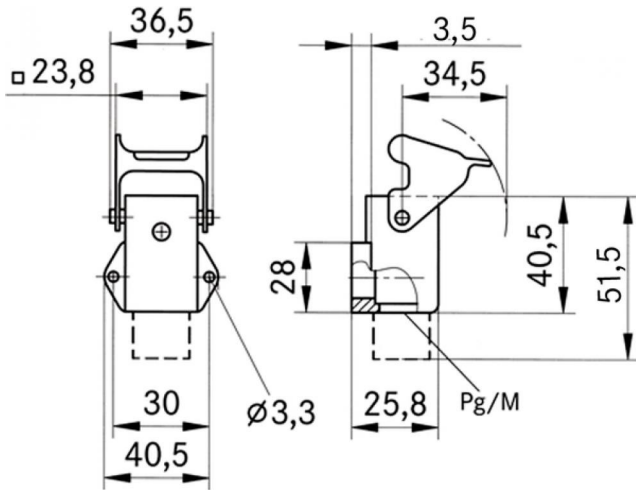
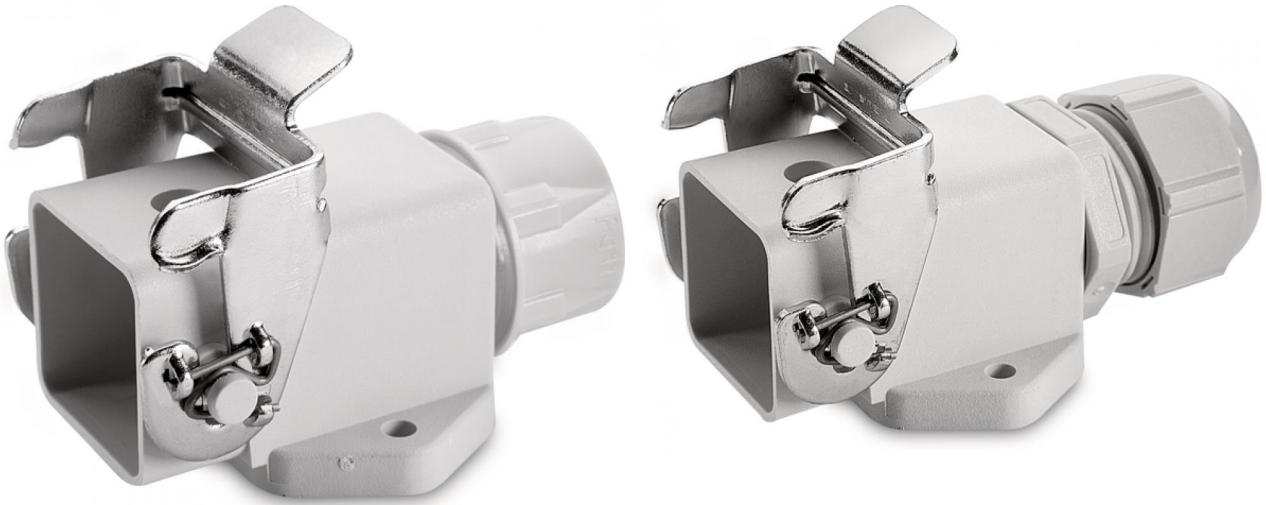
Material:	Housing: powder-coated zinc die-casting, grey Lever: zinc-plated steel Sealing: NBR Housing: grey thermoplastic, black Lever: zinc-plated steel Sealing: NBR
Protection rating:	IP 65 (latched)
Temperature range:	-40 °C to +100 °C, short-term up to +125 °C
VDE-tested:	Certified production control: VDE-REG. no.: B437 UL-tested: UL File Number: E75770

Product Management	Document: LAPP_PRO337EN.pdf	1 / 3
--------------------	-----------------------------	-------



Part number	Article	M	PG	Material	Colour	Cable gland	Cable clamping range	Dimensions incl. cable gland	Pieces / PU
H-A housing: surface-mount base									
10512700	H-A 3 MAgsv		11	Zinc die-casting	grey			51.5	10
10424000	H-A 3 Agsv		11	Thermoplastic	grey			56	10
10424500	H-A 3 MAgsv		11	Zinc die-casting	grey	yes	6,5 - 12	57.5	10
10424200	H-A 3 Agsv		11	Thermoplastic	grey	yes	6,5 - 12	65	10
19512700	H-A 3 MAgsv M20	20		Zinc die-casting	grey			54.5	10
19421900	H-A 3 Agsv M20	20		Thermoplastic	grey	yes	3 - 13,5	56	10
19424500	H-A 3 MAgsv M20	20		Zinc die-casting	grey	yes	3 - 13,5	60.5	10

U.I. Lapp GmbH	PRODUCT INFORMATION	
	EPIC® H-A 3 AGSV	14.11.2013



Product Management	Document: LAPP_PRO337EN.pdf	3 / 3
--------------------	-----------------------------	-------