


U.I. Lapp GmbH	PRODUCT INFORMATION	
EPIC® H-B 16 AD-LB		14.11.2013

Housing design H-B. The industry standard.
The housing standard. Wide choice for all applications



Automation



Industrial machinery and plant engineering



Mechanical resistance



Robust



Waterproof

Info

Universal, robust metal housings size H-B 16

Application range

Plant engineering
Light & sound technology
Plastics industry

Product features

Panel-mount base
Single lever
Metal cover
Included: flat gasket

Remark

Photographs are not to scale and do not represent detailed images of the respective products.

Technical Data

Material:	Housing: powder-coated aluminium alloy, grey Lever: zinc-plated steel Sealing: NBR
Protection rating:	IP 65 (latched)
Temperature range:	-40 °C to +100 °C, short-term up to +125 °C


Product Management	Document: LAPP_PRO423EN.pdf	1 / 3
--------------------	-----------------------------	-------

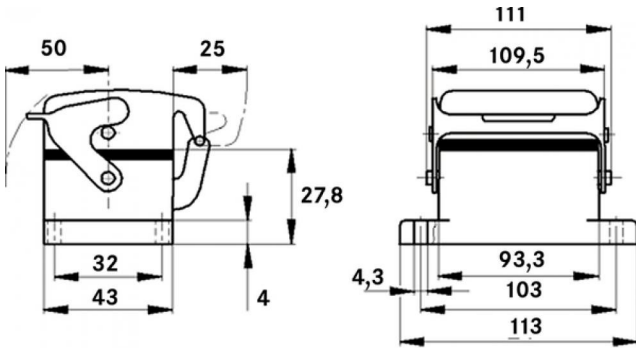


EPIC® H-B 16 AD-LB

14.11.2013

Part number	Article	Pieces / PU
H-B housing: panel-mount base (cover, single lever)		
10073900	H-B 16 AD-LB	5

U.I. Lapp GmbH	PRODUCT INFORMATION	
	EPIC® H-B 16 AD-LB	14.11.2013



Product Management	Document: LAPP_PRO423EN.pdf	3 / 3
--------------------	-----------------------------	-------