

U.I. Lapp GmbH	PRODUCT INFORMATION	
	EPIC® H-B 32 TG	29.11.2013

Housing design H-B for 2 inserts.
Two inserts in one housing. With two levers for high safety



Application range

Plant engineering
Control engineering
Plastics industry

Product features

Hood
Bolts for double lever
Straight cable entry
Versions with / without neck

Remark

Photographs are not to scale and do not represent detailed images of the respective products.

Technical Data


Material:	Housing: powder-coated aluminium alloy, grey Lever: zinc-plated steel Sealing: NBR
Protection rating:	IP 65 (latched)
Temperature range:	-40 °C to +100 °C, short-term up to +125 °C

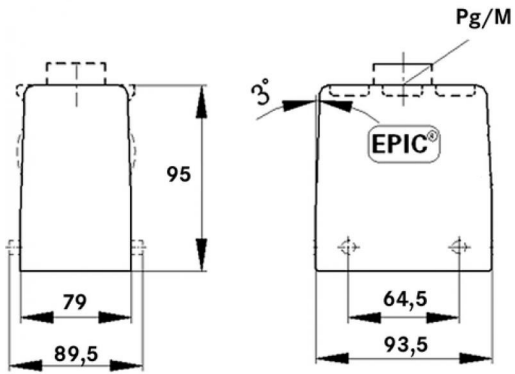


Product Management	Document: LAPP_PRO110302EN.pdf	1 / 3
--------------------	--------------------------------	-------



Part number	Article	M	PG	Neck
H-B housing: hood (straight cable entry, bolts for double lever)				
10133000	H-B 32 TG 21		21	yes
10134000	H-B 32 TG 29		29	yes
19134000	H-B 32 TG M32	32		
19134400	H-B 32 TG M40	40		

U.I. Lapp GmbH	PRODUCT INFORMATION	
	EPIC® H-B 32 TG	29.11.2013



Product Management	Document: LAPP_PRO110302EN.pdf	3 / 3
--------------------	--------------------------------	-------