

Fire-Rated Poke-Throughs
SystemOne Recessed
Sub-Plate

HUBBELL

Features

- White Powder Coated

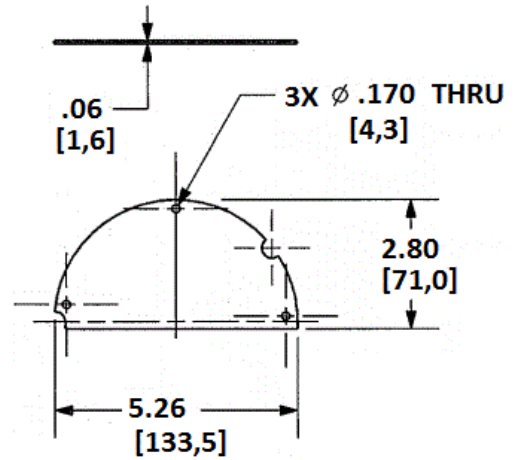
Ordering Information

- Includes necessary mounting hardware

Catalog Number	UPC	Description
S1R6SPB	783585443065	Sub-plate for 6 inch FRPT 50% , left side, blank plate

Standards

cULus Listed



Online Resources

Customer Use Drawing
eCatalog
Installation Instructions

Dimensions in Inches (mm)

Hubbell Wiring Device-Kellems • Hubbell Incorporated (Delaware) • 40 Waterview Drive • Shelton, CT 06484

Phone (800) 288-6000 • Fax (800) 255-1031 • Specifications subject to change without notice.

