

Raceway
Aluminum Raceway
Aluminum PlugTrak[®], 3', 15A 125V,
1-Circuit, 6 Duplex



Features

- Tamper Resistant
- Available in 3ft. 5 ft. or 6 ft. lengths
- Available in Standard, Isolated Ground (IG), Tamper-Resistant (TR) and USB (U) versions.
- Multiple spacing configurations
- Hubbell designed and manufactured 15 or 20 Amp receptacles



Ordering Information

Description	Material	UPC Number	Catalog Number
Aluminum PlugTrak [®]	Anodized Aluminum	783585455938	HBLALU20GB306TR

Receptacles

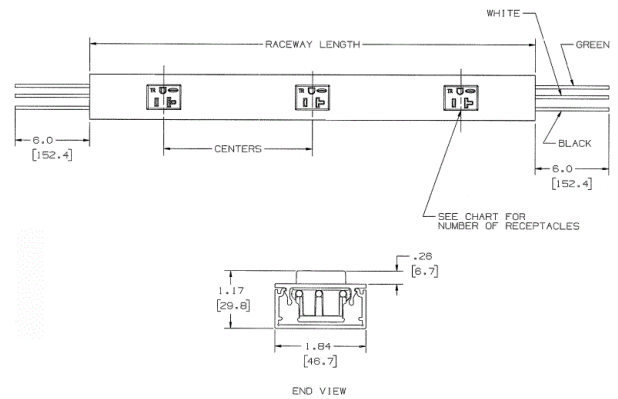
6

Listings

UL Listed
 CSA Certified

Specifications

Height	2.00"
Width	2.50"
Length	3'



Online Resources

Customer Use Drawing
 eCatalog
 Installation Instructions

Dimensions in Inches (mm)

Hubbell Wiring Device-Kellems • Hubbell Incorporated (Delaware) • 40 Waterview Drive • Shelton, CT 06484

Phone (800) 288-6000 • Fax (800) 255-1031 • Specifications subject to change without notice.

