

Grounding & Bonding

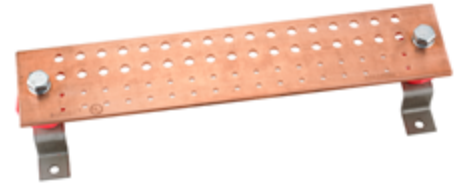
Bus Bar

Wall Mounted

HUBBELL

Features

- Telecommunications Bonding Bus bars offer a convenient and organized bonding surface for collecting stray electrical currents
- Mounting holes are predrilled or tapped for matching with lugs



Ordering Information

Style	Mounting	Catalog Number	UPC Number
TMGB	Surface Mount ER & EF	HBBB14420J	662620303666

Listings

UL
TIA-607 Compliant

Specifications

Material	Copper
Finish	Copper
Insulator	600V

Characteristics

Installation

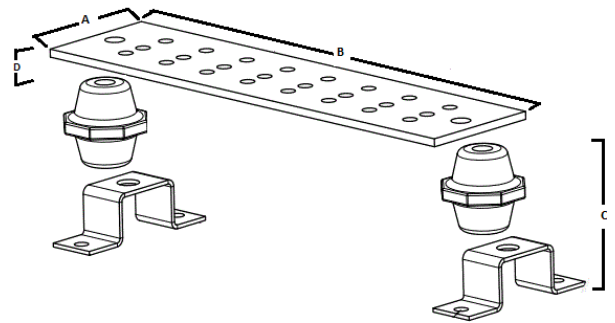
DA-Lug Mount Quantity	17
DB-Lug Mount Qty	17

Accessories

12' Conductor	HGRKTD144D
20' Conductor	HGRKTX240D
30' Conductor	HGRKTX360D
Ladder Bracket	HGBTEBCBRKL10
Wire Tray Bracket	HGBTEBCBRKW10

Online Resources

Brochure
Customer Drawing
Customer Use Drawing
eCatalog



Dimensions- inches (mm)

A	4" (102)
B	20" (508)
C	3.75" (95)
D	0.25" (6)