

Floor Boxes

SystemOne Recessed 2 Gang Floor Box

For use in Raised Access or Wood Floors

HUBBELL

Features

- 5 in. box depth
- Stamped steel construction
- No knock outs
- Recessed connections or furniture feed applications
- Rectangular covers

Ordering Information

- Temporary cover for use prior to trim-out
- 6 inch solid conductor ground pigtail in each gang



Catalog Number AFB2G50CHI	UPC Number 783585447216	Cover Series 2GAFBxx / 2GAFBFFxx	Box Type Raised Access
Device Volume 60 cu in.	Depth Behind Mounting Plate 2 3/4 in..	Max. Tile Thickness 2 in.	Min. Tile Thickness 3/4 in.

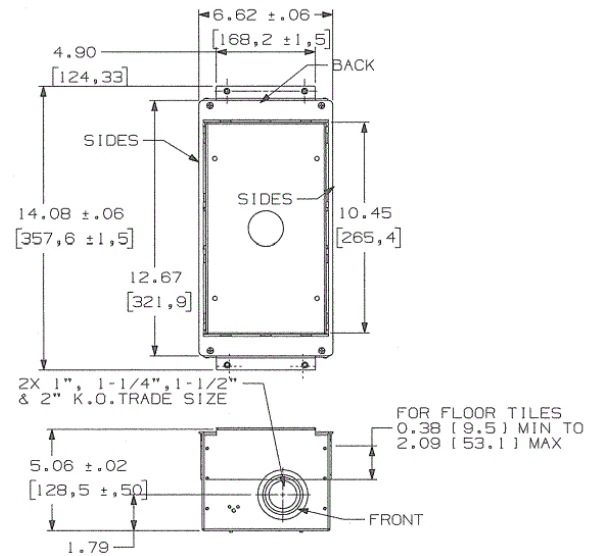
Specifications

Box Material	16 gauge galvanized steel
Access Cover Material (ordered separately)	Die cast aluminum

Required

Cover

- AFB Style Rectangular Covers (for use with carpet, [Click here](#) tile, VCT and other engineered floors)



Online Resources

Customer Use Drawing
eCatalog
Installation Instructions

Dimensions in Inches (mm)

Hubbell Wiring Device-Kellems • Hubbell Incorporated (Delaware) • 40 Waterview Drive • Shelton, CT 06484

Phone (800) 288-6000 • Fax (800) 255-1031 • Specifications subject to change without notice.

