

## Floor Boxes

### SystemOne Recessed 4 Gang Floor Box

For Use In Concrete Floors

#### Features

- Designed for applications requiring up to 2 in. conduits (with use of CFBHUB2 purchased separately)
- Stamped steel construction
- Pre and post pour adjustment
- Patent pending, labor saving, easy mount device plates
- Round covers

#### Ordering Information

- Adjustable collar for up to 1/4 in. post pour adjustment
- 6 inch solid conductor ground pigtail in each gang

<b>Catalog Number</b> CFB4G30R	<b>UPC Number</b> 783585447285	<b>Cover Series</b> CFBS1R8xx	<b>Box Type</b> Above Grade
<b>Device Volume</b> 32 1/2 cu in.	<b>Depth Behind Mounting Plate</b> 2 1/2 in.	<b>Min. Pour Depth</b> 3 3/4 in.	

#### Specifications

Box Material	16 gauge galvanized steel
Access Cover Material (ordered separately)	Die cast aluminum

#### Required

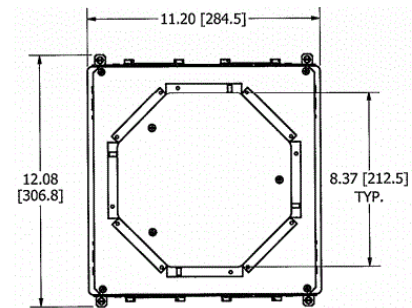
##### Cover

- Surface Style Rectangular Covers (for use with carpet, tile, VCT and other engineered floors) [Click here](#)

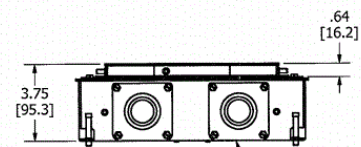
#### Accessories

2 in. threaded zinc hub	<b>CFBHUB2</b>
Replacement knock-out plate	<b>CFBKOPATE</b>
Replacement wire-way, used to pass wires from one compartment to the other	<b>CFB46WW</b>
Finished floor height adjustment ring - increase post pour adjustment 0 - 1/4 in.	<b>CFB6RCVRR1</b>
Finished floor height adjustment ring - increase post pour adjustment 1/4 - 1/2 in.	<b>CFB8RCVRR2</b>
Finished floor height adjustment ring - increase post pour adjustment 1/2 - 3/4 in.	<b>CFB8RCVRR3</b>

# HUBBELL



TOP VIEW



END VIEW

#### Online Resources

Customer Use Drawing  
eCatalog  
Installation Instructions

Dimensions in Inches (mm)

Hubbell Wiring Device-Kellems • Hubbell Incorporated (Delaware) • 40 Waterview Drive • Shelton, CT 06484

Phone (800) 288-6000 • Fax (800) 255-1031 • Specifications subject to change without notice.

