

Mounted Zone Cabling Enclosures and Brackets Wall Mounted Enclosure Accessory Fan Kit for QuadCab

HUBBELL

Features

- Each fans is 57 CFM, two fans per panel

Ordering Information

VAC	Finish	Catalog Number	UPC Number
120V	Black	HWKF120	662620838731

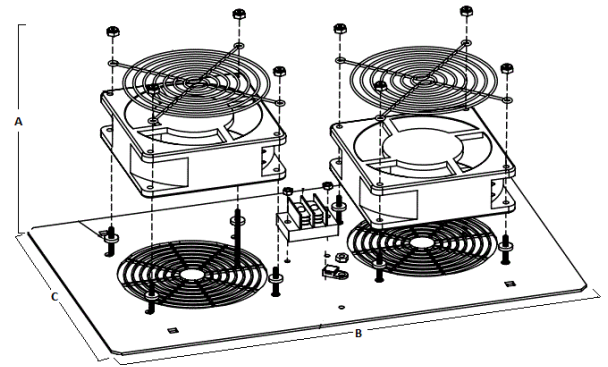


Specifications

Material	Cold rolled steel
Accessory for	QuadCab

Characteristics

CFM	114
-----	-----



Accessories

Black Velcro Roll	HVFBK575
9" Velcro Strips, Yellow	MCCMV9YL10

Online Resources

Customer Drawing
Customer Use Drawing
eCatalog

Dimensions- inches (mm)

A	2.1" (53)
B	15.5" (394)
C	9" (229)