

## Switched Disconnects and Enclosures

### MotorQuick® Disconnect Switches

## Type 4X Stainless Steel Enclosure 30A 3 Pole 600V AC

# HUBBELL

### Features

- Formed in nonporous 304 stainless steel
- IP69k and Type 4X, 12K water ingress protection
- Labelless markings on the cover
- Lockable Handle to Meet OSHA Lockout/Tagout Regulations
- Cable Ratings:  
TC-ER, MTW, ST00W

### Ordering Information

Description	UPC Number	Catalog Number
HBLDS3SS with one pre-wired LINKOSITY® female receptacle (load side), Square Top	783585372600	HBLDS3SSMQR

### Listings

UL50B; UL746C  
IP67

### Specifications

Enclosure	High Impact PBT
Contact Materials	Pins - brass; Sockets - leaded nickel copper w/ stainless steel sleeve
Cable (16 AWG and Up)	UL 600V Type TC-ER, MTW 90°C or ST00W 600V 105°C

### Performance

#### Electrical

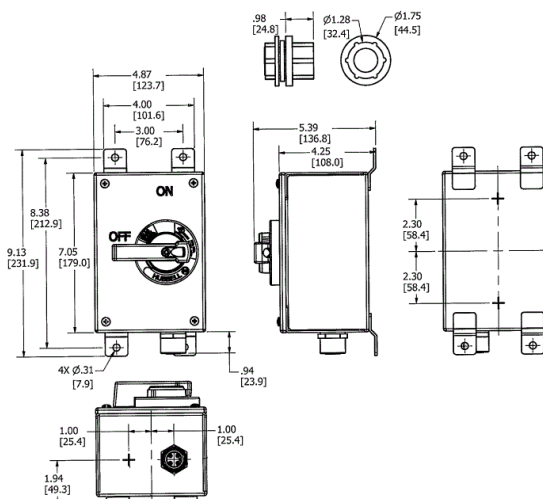
Dielectric Voltage	2,200V AC minimum for 1 minute
Electrical Life	6,000 cycles with load
Max. Working Voltage	600V AC RMS
Short Circuit Current Ratings (SCCR): (Motor Disconnect)	30: Suitable for use on a circuit capable of delivering not more than 10kA RMS symmetrical, 600V AC max

#### Mechanical

Impact Resistance	UL746C
Mechanical Life	10,000 minimum cycles
Terminal Accommodations	#14 AWG - #10 AWG

#### Environmental

Flammability	UL94HB/V-0
Operating Temperature	Max. Continuous: 60°C; Min. Continuous: -40°C without impact



### Complementary Products

3P 4W LINKOSITY® male receptacle	RM3004PA001
3P 4W LINKOSITY® female receptacle	RF3004PA001

Cord connector	SHC1037CR
Lock-on cover	PH2030C

### Online Resources

Customer Use Drawing  
eCatalog  
Installation Instructions

Dimensions in Inches (mm)

Hubbell Wiring Device-Kellems • Hubbell Incorporated (Delaware) • 40 Waterview Drive • Shelton, CT 06484

Phone (800) 288-6000 • Fax (800) 255-1031 • Specifications subject to change without notice.

