

Raceway
Metal Raceway
HBL6750 Series 3-Gang Plate

HUBBELL

Features

- Two Style Line® Openings, One Modular Furniture
- For two Style Line rectangular receptacles, GFCI, surge devices and rectangular communication frames shown on page R-45.
- Includes modular furniture with two keystone twistouts.
- Includes Mounting Bracket

Ordering Information

Description	Material	UPC Number	Catalog Number
3-Gang Plate	Steel	783585218182	HBL6747RRFIV

Color

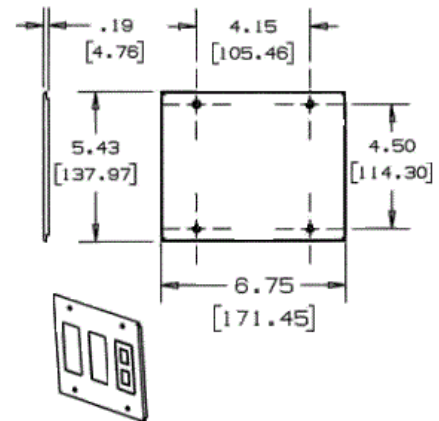
Ivory

Listings

UL Listed
CSA Certified

Specifications

Height	6.75"
Width	5.43"
Length	0.2"



Online Resources

Customer Use Drawing
eCatalog
Installation Instructions

Dimensions in Inches (mm)

Hubbell Wiring Device-Kellems • Hubbell Incorporated (Delaware) • 40 Waterview Drive • Shelton, CT 06484

Phone (800) 288-6000 • Fax (800) 255-1031 • Specifications subject to change without notice.

