

# Raceway Metal Raceway Box Connector

# HUBBELL

## Features

- For use with HBL500, HBL700 and HBL750 Series Raceway
- For connecting raceway to conduit boxes or panel boxes having KO for conduit.
- May also be used for conduit type fittings.
- ½" NPT (13) Female



## Ordering Information

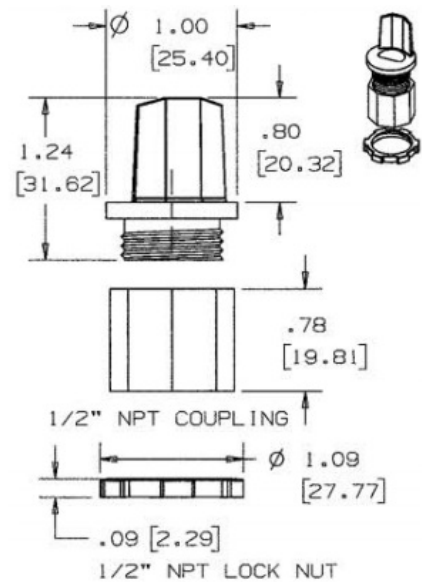
Description	Color	UPC Number	Catalog Number
Box Connector	Steel	783585217260	HBL5781

## Listings

UL Listed  
CSA Certified

## Specifications

Height	0.75"
Width	1.24"
Length	0.75"



## Online Resources

Customer Use Drawing  
eCatalog  
Installation Instructions

Dimensions in Inches (mm)

Hubbell Wiring Device-Kellems • Hubbell Incorporated (Delaware) • 40 Waterview Drive • Shelton, CT 06484

Phone (800) 288-6000 • Fax (800) 255-1031 • Specifications subject to change without notice.

