

# Raceway Non-Metallic Raceway PB3 BaseTrak<sup>®</sup> Transition Fitting

# HUBBELL

## Features

- Transitions horizontal PB3 BaseTrak to vertical PW2 WallTrak, PL1 LANTrak or PP1 PremiseTrak.

## Ordering Information

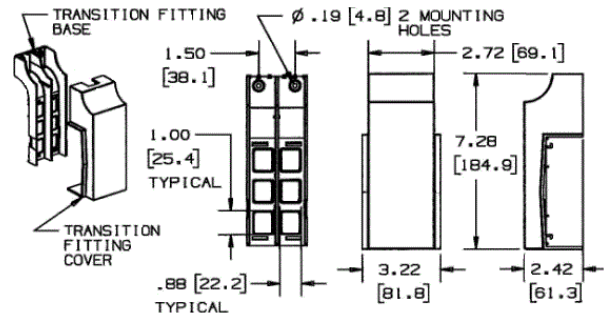
Description	Color	UPC Number	Catalog Number
Transition Fitting	Office White	783585091235	PB3TRBC

## Listings

UL Listed  
CSA Certified

## Specifications

Height	3.22"
Width	7.28"
Length	2.42"



## Online Resources

Customer Use Drawing  
eCatalog  
Installation Instructions

Dimensions in Inches (mm)

Hubbell Wiring Device-Kellems • Hubbell Incorporated (Delaware) • 40 Waterview Drive • Shelton, CT 06484

Phone (800) 288-6000 • Fax (800) 255-1031 • Specifications subject to change without notice.

