

Seaside™

A Kichler® Outdoor™ ceiling fan

Designed to coordinate with a popular Kichler Lighting collection.

KICHLER
LIGHTING 

Kichler® Lighting
7711 East Pleasant Valley Road
P.O. Box 318010
Cleveland, Ohio 44131-8010

Customer Service
866.558.5706
8:30 AM to 5:00 PM EST,
Monday - Friday

Instruction Manual

KICHLER
LIGHTING 

1. SAFETY RULES

1. To reduce the risk of electric shock, insure electricity has been turned off at the circuit breaker or fuse box before beginning.
2. All wiring must be in accordance with the National Electrical Code and local electrical codes. Electrical installation should be performed by a qualified licensed electrician.
3. **WARNING:** Suitable for use with solid-state speed controls.
4. **WARNING:** To reduce the risk of personal injury, use only the two steel screws (and lock washers) provided with the outlet box for mounting to the outlet box. Most outlet boxes commonly used for the support of lighting fixtures are not acceptable for fan support and may need to be replaced, consult a qualified electrician if in doubt.
5. The outlet box and support structure must be securely mounted and capable of reliably supporting a minimum of 50 pounds. Use only CUL Listed outlet boxes marked "FOR FAN SUPPORT".
6. The fan must be mounted with a minimum of 7 feet clearance from the trailing edge of the blades to the floor.
7. To operate the reverse function on this fan, press the reverse button while the fan is running.
8. Avoid placing objects in the path of the blades.
9. To avoid personal injury or damage to the fan and other items, be cautious when working around or cleaning the fan.
10. Do not use water or detergents when cleaning the fan or fan blades. A dry dust cloth or lightly dampened cloth will be suitable for most cleaning.
11. After making the electrical connections, spliced conductors should be turned upward and pushed carefully up into outlet box. The wires should be spread apart with the ground wire and white (common) wire to one side with the black (load) wire to the other side of the outlet box.
12. Electrical diagrams are reference only. Light kits that are not packed with the fan must be CUL Listed and marked suitable for use with the model fan you are installing. Switches must be CUL General Use Switches. Refer to the Instructions packaged with the light kits and switches for proper assembly.

WARNING

TO REDUCE THE RISK OF FIRE, ELECTRIC SHOCK OR PERSONAL INJURY, MOUNT FAN TO OUTLET BOX MARKED "ACCEPTABLE FOR FAN SUPPORT".

WARNING

TO REDUCE THE RISK OF PERSONAL INJURY, DO NOT BEND THE BLADE BRACKETS (ALSO REFERRED TO AS FLANGES) DURING ASSEMBLY OR AFTER INSTALLATION. DO NOT INSERT OBJECTS IN THE PATH OF THE BLADES.

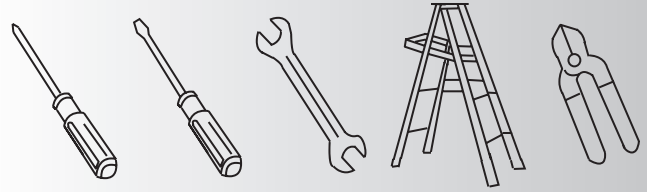
Special Notice

This appliance is equipped with a "Wattage Limiting Device" required by the United States Department of Energy. The device has been installed at the factory and can not be removed.

Installing Lamps in excess of 190 total watts will disable the unit's light fixture. If this should happen, you will need to reset the lighting fixture by turning the power off to the ceiling fan and/or light fixture, reinstalling lamps totaling less than 190 watts and then turning the power back on.

2. TOOLS AND MATERIALS REQUIRED

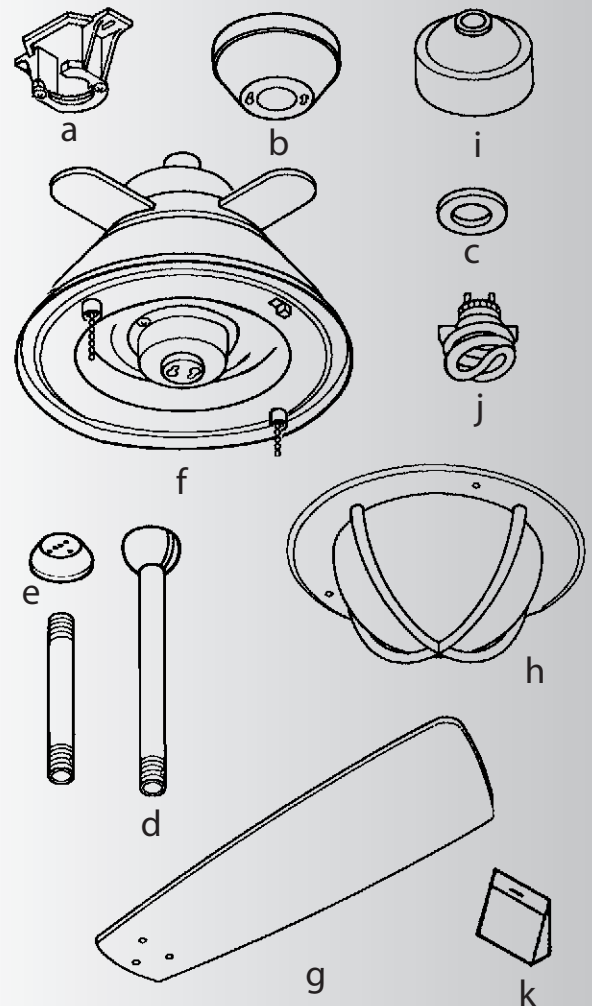
- Philips screw driver
- Slot screw driver
- 11 mm wrench
- Step ladder
- Wire cutters

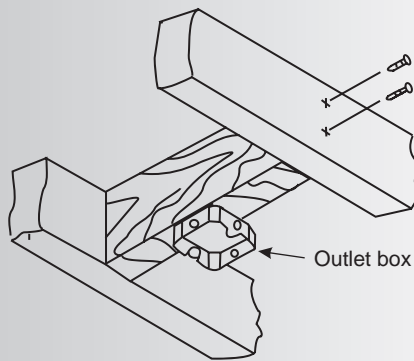
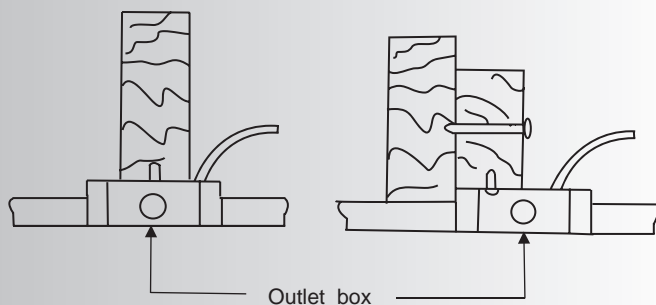
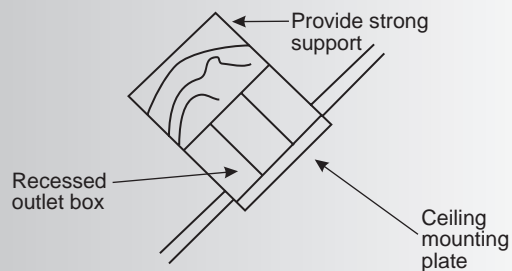
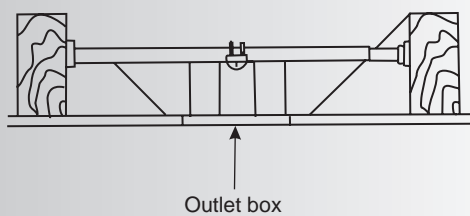


3. PACKAGE CONTENTS

Unpack your fan and check the contents. You should have the following items:

- a. Mounting Bracket (1)
- b. Canopy (1)
- c. Canopy Décor (1)
- d. Ball/Downrod Assembly (1) & Extra Downrod (1)
- e. Coupling Cover (1)
- f. Fan Assembly (1)
- g. Fan Blades (5)
- h. Switch housing assembly (1)
- i. Coupling Cover (1)
- j. Bulb (1)
- k. Package Hardware
 - 1) Mounting Hardware:
 - a. wood screws (2), flat washers(2), screws(2),wire nuts(4)
 - 2) Blade Attachment Hardware:
 - a. screws (16), flat washers(16), fiber washers(16)
 - 3) Blade bracket hardware:
 - a. screw (1)
 - 4) Safety Cable Hardware:
 - a. wood screw (1), spring washer (1), flat washer (1)
 - 5) Balance Kit (1)
 - 6) Fob (2)




Fig. 1

Fig. 2

Fig. 3

Fig. 4

4. MOUNTING OPTIONS

If there isn't an existing UL (CUL for Canadian Installation) listed mounting box, then read the following instructions. Disconnect the power by removing fuses or turning off circuit breakers.

Secure the outlet box directly to the building structure. Use appropriate fasteners and building materials. The outlet box and its support must be able to fully support the moving weight of the fan (at least 50 lbs). Do not use plastic outlet boxes.

Figures 1,2 and 3 are examples of different ways to mount the outlet box.

NOTE: You may need a longer downrod to maintain proper blade clearance when installing on a steep, sloped ceiling. (Fig. 3)

To hang your fan where there is an existing fixture but no ceiling joist, you may need a joist hanging bracket as shown in Fig 4.

5. HANGING THE FAN

REMEMBER to turn off the power before you begin.

To properly install your ceiling fan, follow the steps below.

Step 1. Pass the 120 volt supply wires from the ceiling outlet box through the center of the ceiling mounting bracket. (Fig. 5)

Step 2. Attach the ceiling mounting bracket to the outlet box using the screws and washers included with the outlet box. (Fig. 5)

Step 3. Remove the hanger ball from the downrod assembly by loosening the set screw, removing the cross pin and sliding the ball off the rod. Remove the hitch pin and retaining clip from the downrod assembly. (Fig. 6)

Step 4. Loosen the two set screws from the coupling on top of the motor assembly. (Fig. 7)

Step 5. Carefully feed the electrical lead wires from the fan up through the downrod. Thread the downrod into the coupling until the hitch pin holes are aligned.

Next, replace the hitch pin and retaining clip. Tighten both set screws. (Fig. 7)

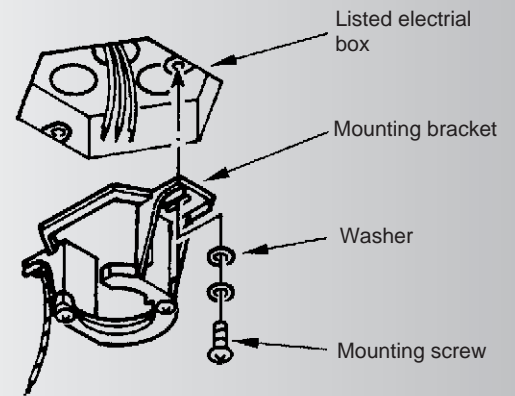


Fig. 5

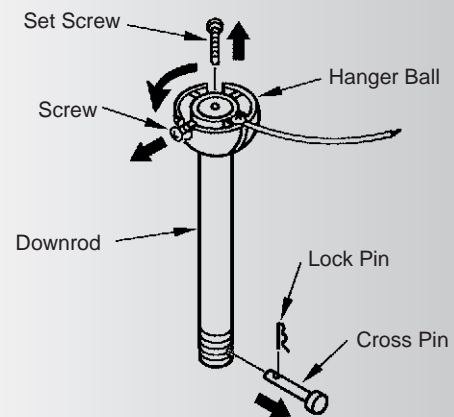


Fig. 6

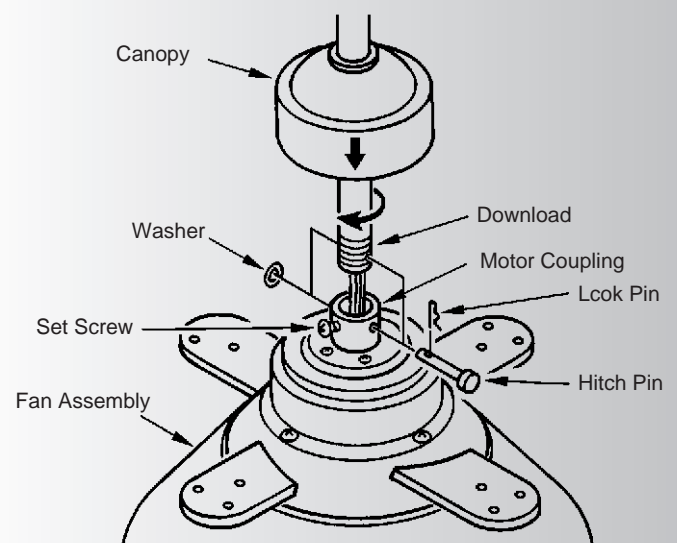
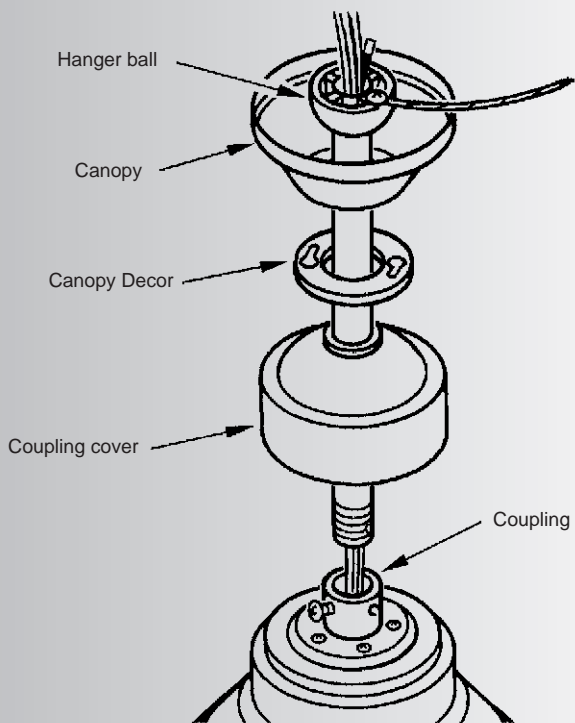


Fig. 7

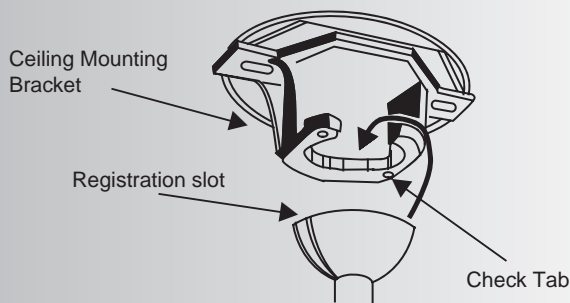
**Fig. 8**

Step 6. Slip the coupling cover, canopy décor and canopy onto the downrod. Reinstall the hanger ball onto the downrod and make sure the cross pin is in place and the set screw on hanger ball is tight. (Fig. 8)

Step 7. Now lift the motor assembly into position and place the hanger ball into the hanger bracket. Rotate motor assembly until the “Check Tab” has dropped into the “Registration Slot” and seats firmly. (Fig. 9)

NOTE: The entire motor assembly should not rotate if this is done correctly.

NOTE: Please make sure all set screws are in place and tight before installation the following steps.

**Fig. 9**

6. INSTALLATION OF SAFETY SUPPORT (For Canadian Installation ONLY)

A safety support cable is provided to help prevent the ceiling fan from falling, please install it as follows.

Step 1. Attach the provided wood screw and washers to the ceiling joist next to the mounting bracket but do not tighten. See Figure 10-1

Step 2. Adjust the length of the safety cable to reach the screw and washers by pulling the extra cable through the cable clamp until the overall length is correct, put the end of the cable back through the cable clamp, forming a loop at the end of the cable. Tighten the cable clamp securely. Now, put the loop in the end of the safety cable over the wood screw and under the washers. Tighten the wood screw securely. (Fig. 10-2)

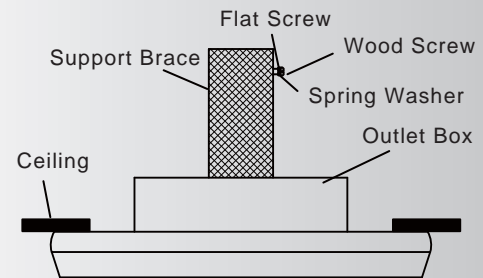


Fig. 10-1

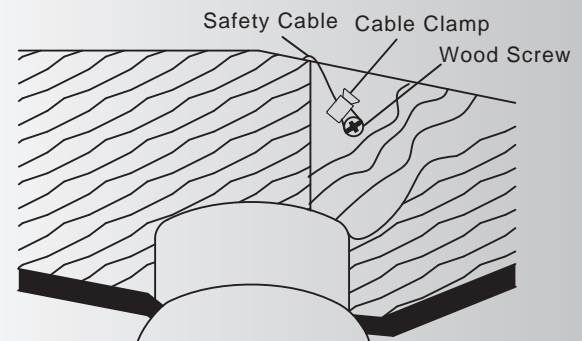


Fig. 10-2

7. MAKE THE ELECTRIC CONNECTIONS

WARNING: To avoid possible electrical shock, be sure electricity is turned off at the main circuit breaker or fuse box before wiring.

WARNING: If your house wires are different colors than referenced in this manual, stop immediately. A professional electrician is recommended to determine proper wiring.

ALL electrical connections should be made with the supplied WIRE NUTS. Make sure each connection below is tight and secure.

Step 1. Connect the fan supply BLACK wire and fan light supply BLUE wire to the BLACK household supply wire as shown in Fig. 11.

Step 2. Connect the fan neutral WHITE wire to the household neutral WHITE wire as shown in Fig. 11.

Step 3. If your outlet box has a ground wire (GREEN or bare copper) connect it to the fan ground wire (GREEN); otherwise, connect the ground wire on the hanging bracket to the fan ground wire (GREEN).

WARNING: Be sure no bare wire or wire strands are visible after making all connections.

Step 4. After making all of the above connecting, spread them apart so the GREEN and WHITE wire connections are on one side of the outlet box and the BLACK and the BLUE wires connections are on the other side. Now, push the completed connections upward into the outlet box.

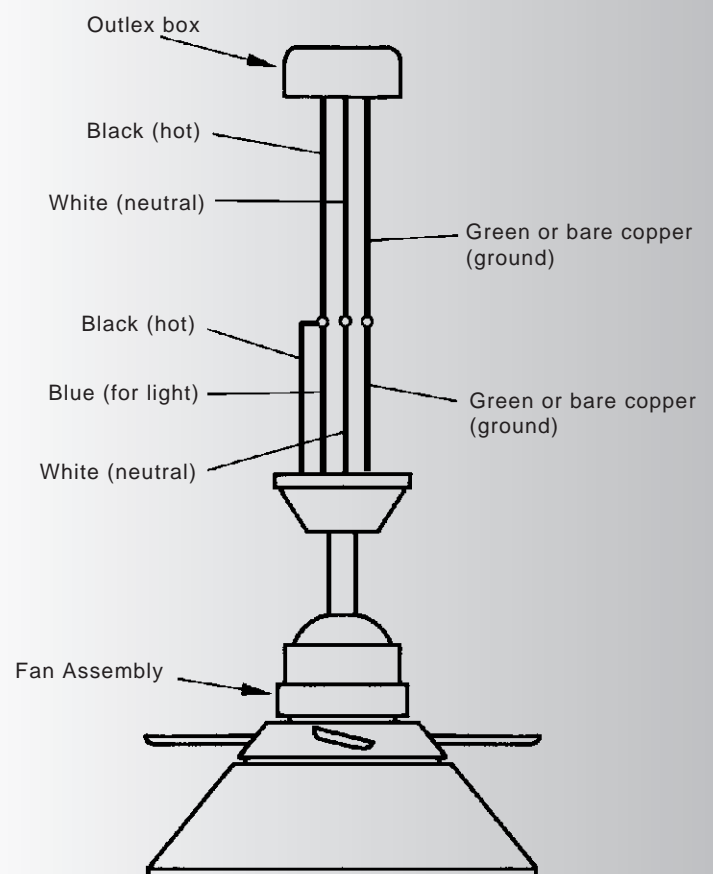
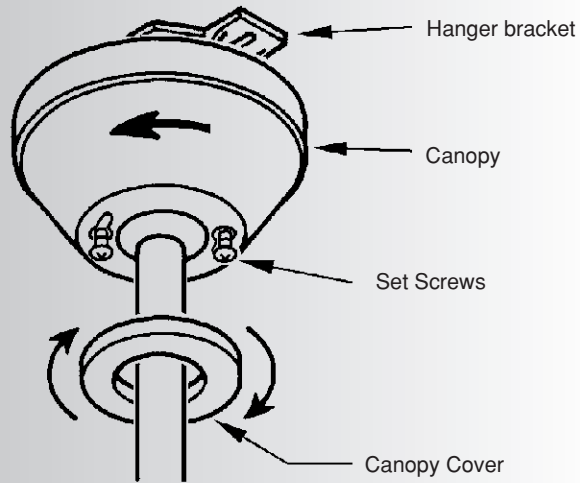


Fig. 11


Fig. 12

8. INSTALLING THE CEILING CANOPY

WARNING: One last time, make sure the “Check Tab” at the bottom of the hanger bracket is properly seated in the “Registration Slot” on the side of the hanger ball before attaching the canopy to the bracket. Failure to properly seat the “Check Tab” could damage the electrical wires when to ceiling fan blade direction is changed while the fan is running.

Step 1. Make sure all of the electrical connections are tucked neatly into ceiling outlet box.

Step 2. Slide the canopy up to ceiling and onto the two screws on hanger bracket. Rotate the canopy clockwise and tighten the two screws. Next, while holding the canopy with one hand, slide the canopy décor over the screws and rotate clockwise until tight.

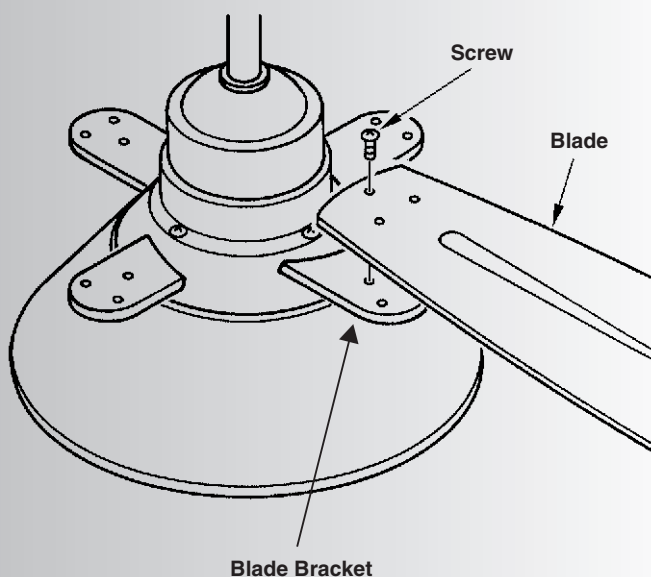
NOTE: You may need to adjust the canopy mounting screws as necessary until the canopy and canopy cover have a snug fit. (Fig. 12)

9. ATTACHING THE FAN BLADES

Step 1. Attach the blade to the blade bracket using the screws, washers and fiber washers as shown in Figure 13. Start screw into bracket. Repeat for the two remaining screws.

Step 2. Make sure the blade is straight and tighten each screw until fiber washer is slightly compressed and all three screws are secure. (Fig. 13)

Step 3. Repeat the procedure above for the remaining 3 blades


Fig. 13

10. INSTALLING THE LIGHT BULB & LIGHT KIT

NOTE: Before continuing, make sure the power is disconnected by turning off the circuit breaker or removing the fuse at the circuit box.

Step 1. Install the single 18 watt GU24 Lamp by inserting the two post on the lamp base into the slots in the socket base and rotating clockwise until snug.

Step 2. Connect the electrical wire plugs from the light kit to the same color plug from the ceiling fan by pushing them together. Connect the square AMP connector from the ceiling fan and the light kit by match up the color on the side of the connector, and then push them together until the snap engages. (Fig.17)

Step 3. Tuck the connections into the fan neatly and thread the light kit up to align the holes on the light kit and ceiling fan. And then tighten the light kit securely using three screws provided.

YOUR NEW KICHLER CEILING FAN IS NOW READY TO USE. REMEMBER TO RESTORE ALL POWER.

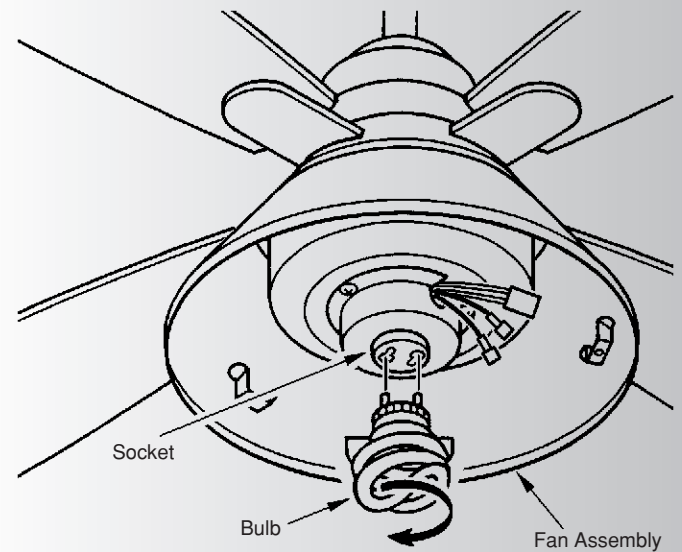


Fig. 16

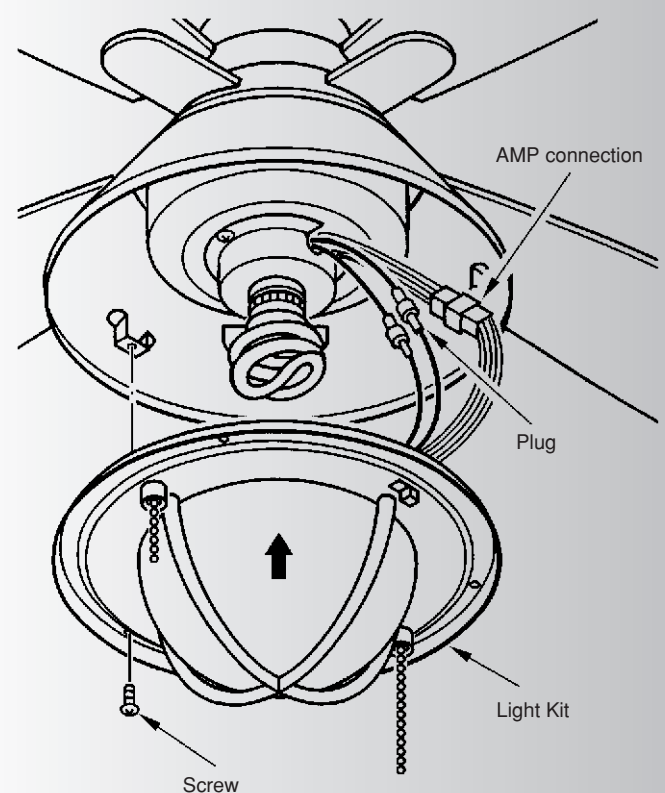


Fig. 17

12. OPERATING INSTRUCTIONS

Step 1. Attache the decorative pull chain fobs to the two pull chains coming out of the light kit (Fig.18)

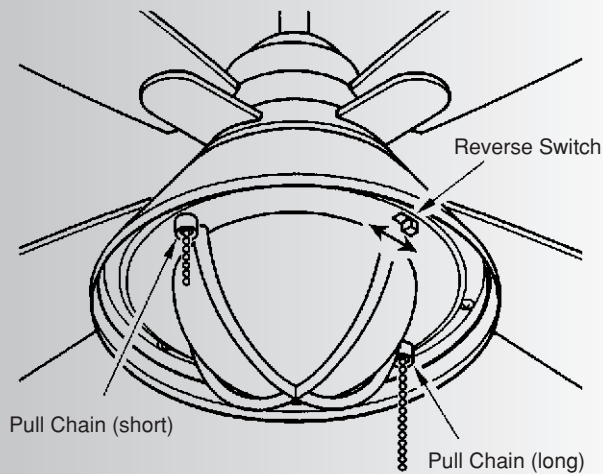


Fig. 18

Step 2. The LONGER pull chain is for motor speed control and it has four positions. High, Medium, Low and OFF. Pulling the fob once for each position.

Step 3. The SHORTEN pull chain is for light control. Pull the fob once to switch the light ON or OFF.

Step 4. the black "slide switch" located next to the glass globe controls the reverse function on the ceiling fan. Sliding the switch one direction will reverse the direction of the fan blades.

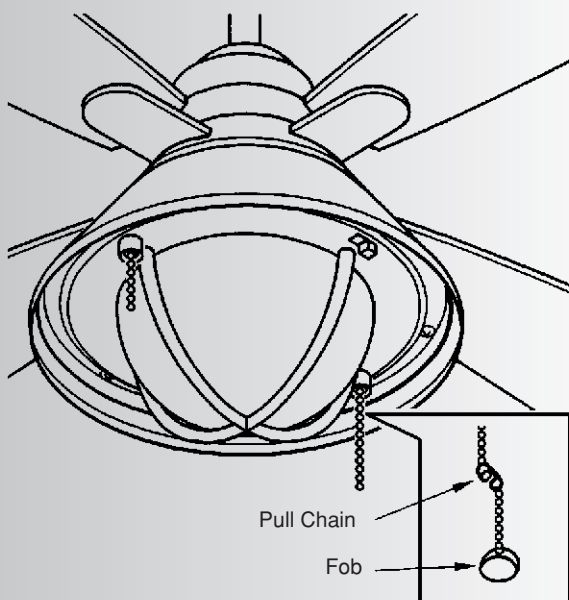


Fig. 19

Warm Weather - (Forward) A downward airflow creates a cooling effect as shown in Fig. 19. This allows you to set your air conditioner on a warmer setting without affecting your comfort.

Cool Weather - (Reverse) An upward airflow moves warm air off the ceiling areas as shown in Fig. 20. This allows you to set your heating unit on a cooler setting without affecting your comfort.

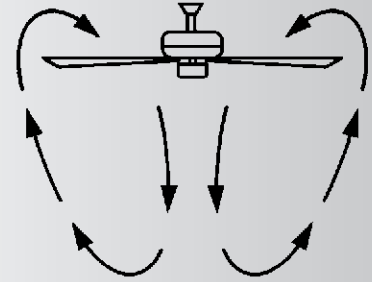


Fig. 19

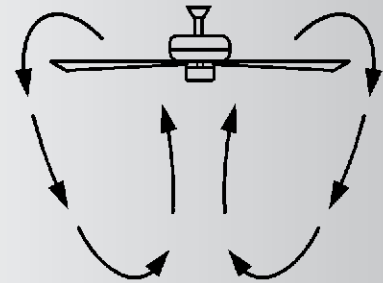


Fig. 20

13. TROUBLESHOOTING

Problem	Solution
Fan will not start.	<ol style="list-style-type: none"> 1. Check circuit fuses or breakers. 2. Check line wire connections to the fan and switch wire connections in the switch housing. CAUTION: Make sure main power is off. 3. Check to make sure the dip switches from the transmitter and receiver are set to the same frequency. 4. Check to make sure the batteries are installed properly. (positive +side facing out) 5 . Check to make sure the batteries are not dead.
Fan sounds noisy.	<ol style="list-style-type: none"> 1. Make sure all motor housing screws are snug. 2. Make sure the screws that attach the fan blade bracket to the motor hub is tight. 3. Make sure wire nut connections are not rubbing against each other or the interior wall of the switch housing. CAUTION: Make sure main power is off. 4. Allow a 24-hour "breaking-in" period. Most noise associated with a new fan disappear during this time. 5. If using an optional light kit, make sure the screws securing the glassware are tight. Check that light bulb is also secure. 6. Do not connect the fan with wall mounted variable speed control(s). 7. Make sure the upper canopy is a short distance from the ceiling. It should not touch the ceiling.
Fan wobble.	<ol style="list-style-type: none"> 1. Check that all blade and blade arm screws are secure. 2. Most fan wobbling problems are caused when blade levels are unequal. Check this level by selecting a point on the ceiling above the tip of one of the blades. Measure this distance. Rotate the fan until the next blade is positioned for measurement. Repeat for each blade. The distance deviation should be equal within 1/8". 3. Use the enclosed Blade Balancing Kit if the blade wobble is still noticeable. 4. If the blade wobble is still noticeable, interchanging two adjacent (side by side) blades can redistribute the weight and possibly result in smoother operation.
Remote control malfunction.	<ol style="list-style-type: none"> 1. Do not connect the fan with wall mounted variable speed control(s). 2. Make sure the dip switches are set correctly.

14. SPECIFICATIONS

Fan Size	Speed	Volts	Amps	Watts	RPM	CFM	N.W.	G.W.	C.F.
52"	Low	120	0.68	82	175	6790	13.30 kgs	15.50 kgs	4.18'
	Medium	120	0.43	31	108	3618			
	High	120	0.23	9	56	1712			

These are approximate measures. They do not include Amps and Wattage used by the light kit.