

QUARTZ HALOGEN LAMPHOLDER

Single-Ended
GU10 Base



LAMP HOLDERS



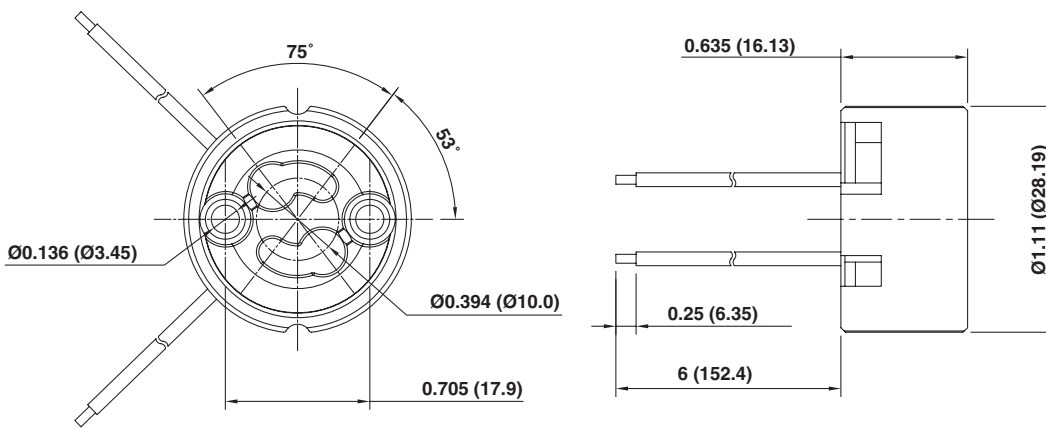
Quartz Halogen Lampholder for Lamps with GU10 Base

Ideal for indoor accent and display lighting, including gallery, museum and showroom applications

Ceramic lampholder designed for quartz halogen lamps with a GU10 base, rated up to 150 watts. Perfect for use in compact fixtures, GU10 base lamps operate at 120V and do not need a transformer, which simplifies design and reduces costs. These lamps are also fully dimmable. The lampholder twists in for fast installation and has spring-loaded, solid nickel contacts for superior electrical conductivity. Standard leads (2) are white, No. 20 AWG Teflon® wire rated 250°C 600V, 8" long, stripped 1/4".

Cat. No. 570
Rating: 660W-600V
Accepts Quartz Halogen GU10 Lamps

- UL Listed  US E-13405



Cat. No. 570