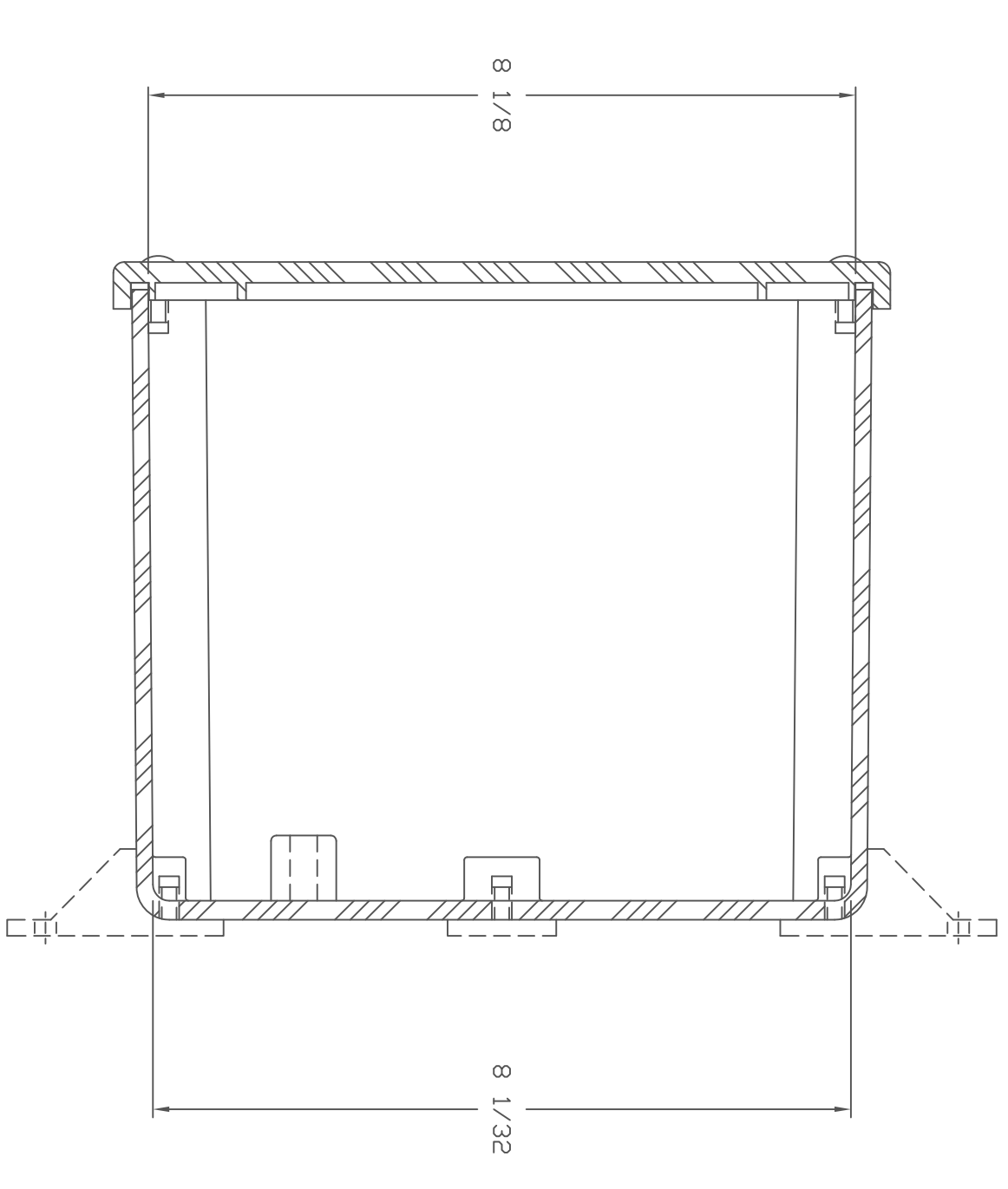
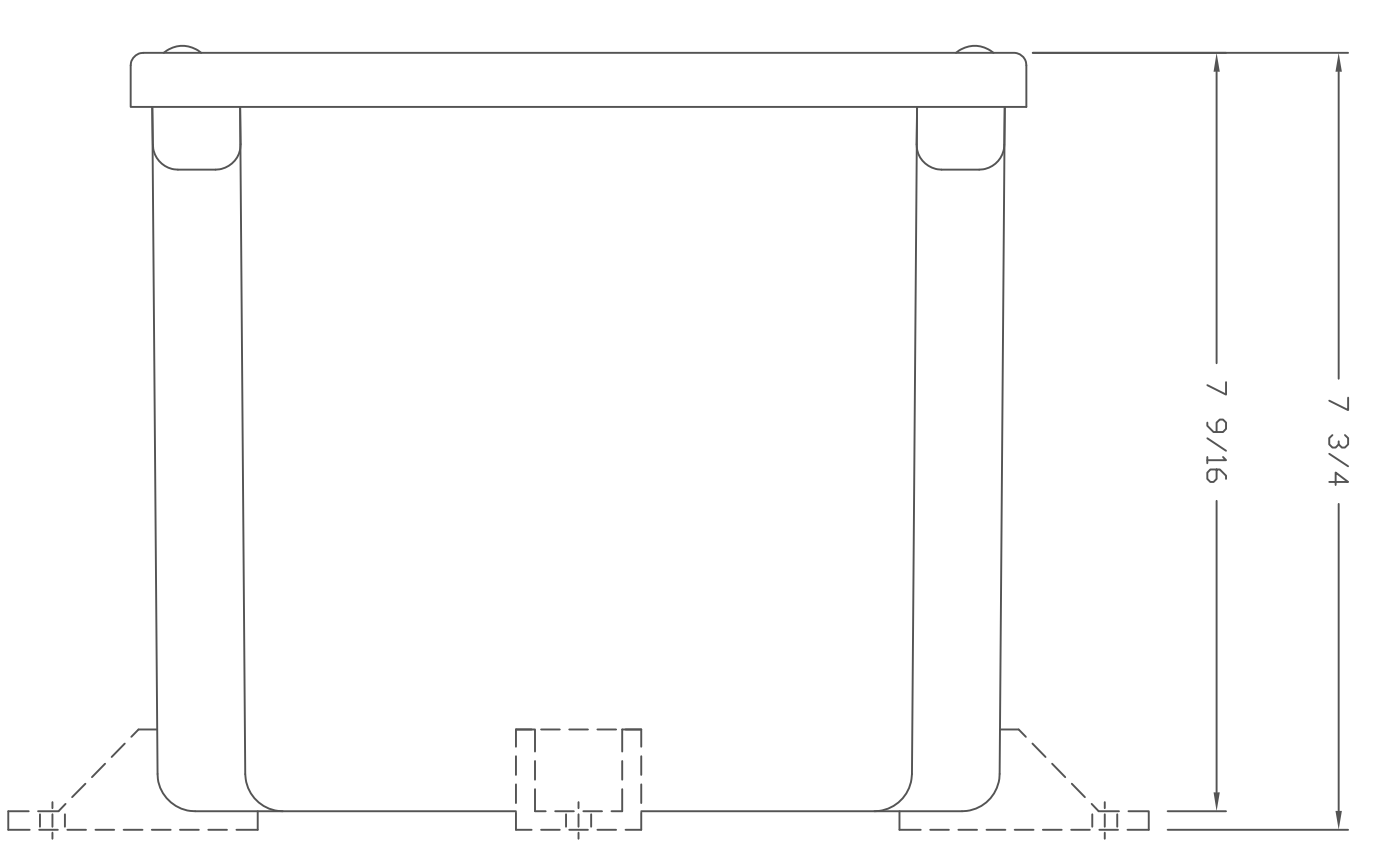
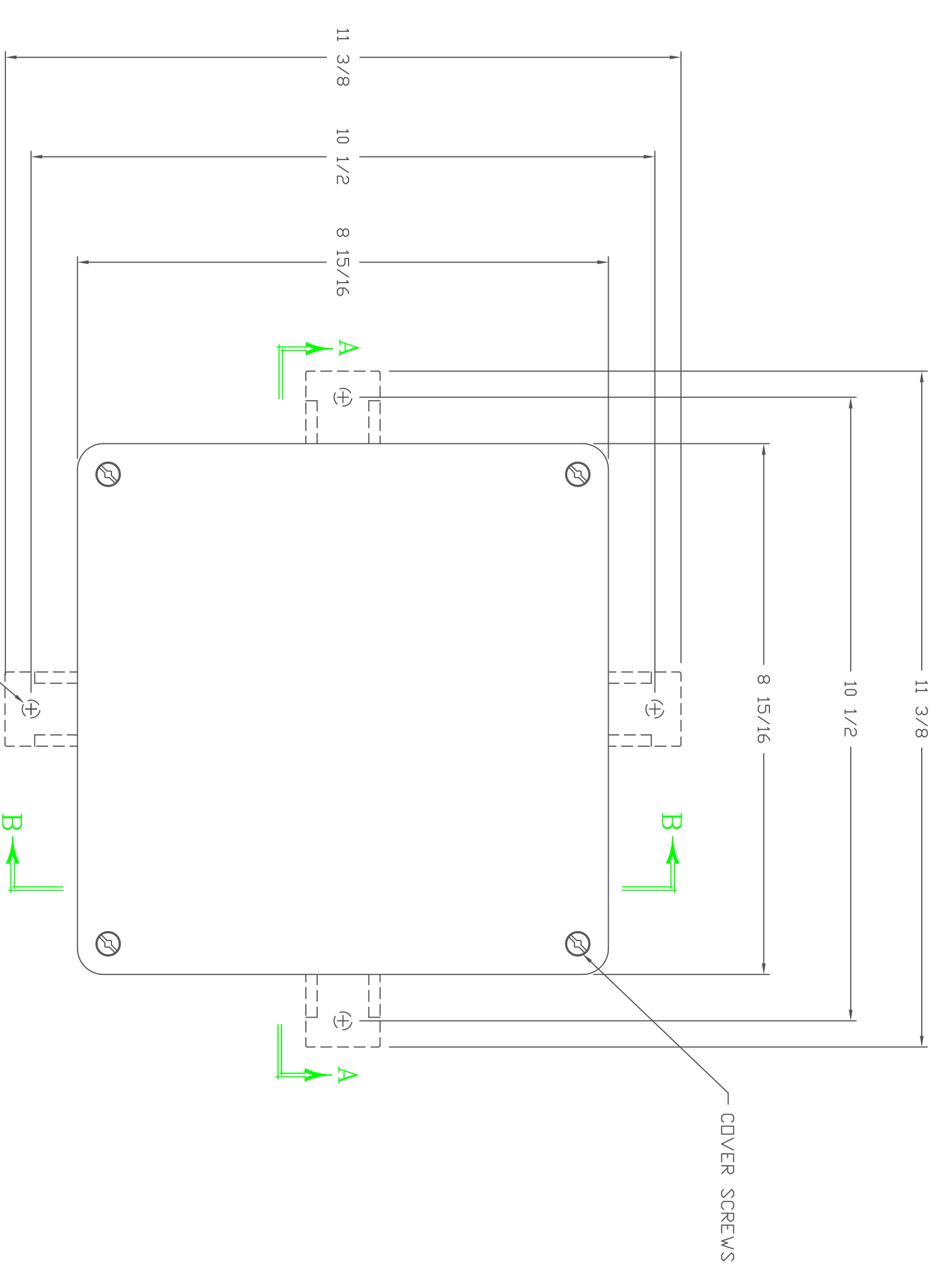
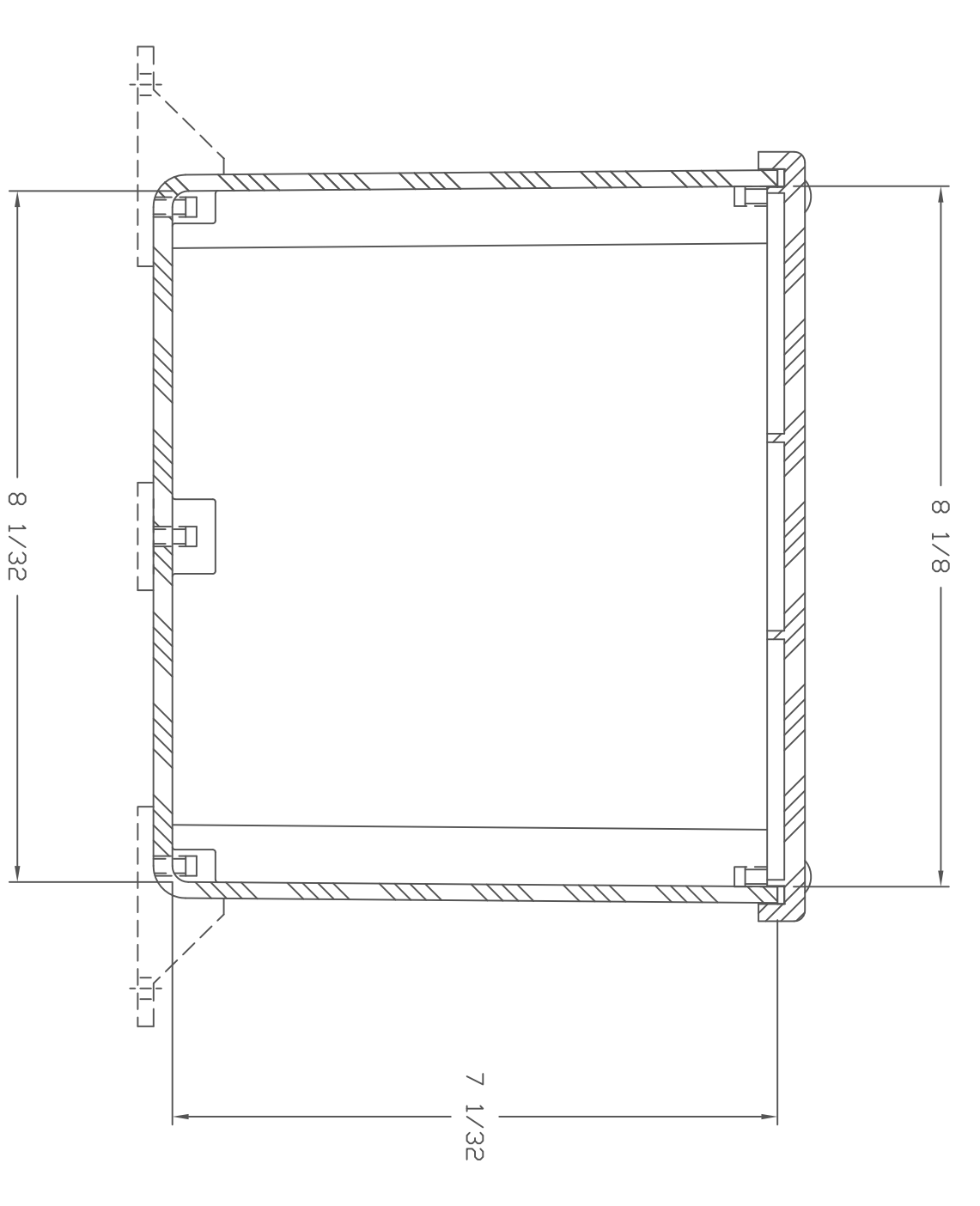
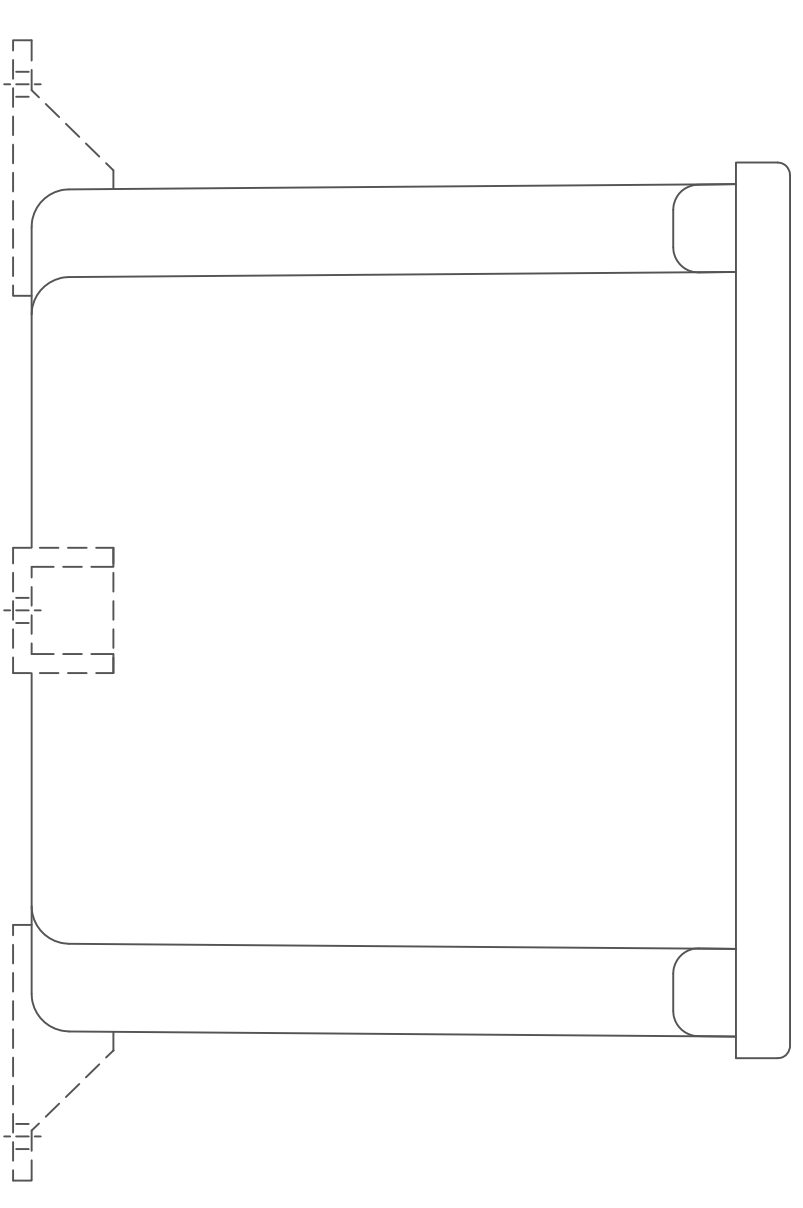


TOP VIEW  
WITHOUT COVER



SECTION A-A



SECTION B-B

NOTES

COLOR: GRAY TOLERANCES UNLESS SPECIFIED DECIMAL FRACTIONAL  
± .010 ± 1/32

MATERIAL	REVISION RECORD	DATE	BY	CHKD.	DATE	DR. BY	DATE	SCALE	PART NAME	PART NO.
PVC						GF	6/29/00	DD NIT SCALE	STAHLIN ENCLOSURES	J887PVC
LET.						CHK. BY			BYELING MICHIGAN	
						APP. BY			48809	
						DATE			Customer	
									AVESCAD DWG FILE	
									J887PVC	
									J887PVC	