

## 51110-SRG Residential Surge Protection Panel

### APPLICATION

The 51110-SRG Residential Surge Protection Panel is designed for mounting at the service entrance in homes, apartments, and condominiums. It offers advanced surge protection for modern electronics and appliances, reducing the risk of damage from spikes and surges entering the property through AC power lines.



### SPECIFICATION

The 51110-SRG Residential Surge Protection Panel (SPD Type 2) shall be designed for use on 240/120V, 50/60 Hz single-phase AC power lines. The unit shall provide type 4X housing for indoor and outdoor installations.

### FEATURES

- Surge protection for 240/120V, 50/60 Hz single-phase AC power lines
- Real-time diagnostic visual indicator shows power and suppression status for each protected phase
- UL1449 2.5 Edition rated for 400V peak clamping voltage (L-N, L-G, N-G)
- UL1449 3.0 Edition rated for 600V peak clamping voltage (L-N, L-G, N-G)
- Rated for 48kA peak maximum surge current (8 x 20µs) per mode – 96kA per phase
- 150 maximum continuous operating voltage (MOV) rating allows for tolerance to line voltage swells
- DHC Power Line Carrier compatible
- Separate surge suppression indicator lights stay on for Phase 1 and Phase 2 until protection is lost

### DESIGN CONSIDERATIONS

- NEMA 4X enclosure
- Painted metal, flush-mount collar

### STANDARDS COMPLIANCE

Meets or exceeds all applicable standards:

- ANSI/IEEE Categories B and C, C62.41 and C62.45
- UL 1449 3.0 Edition, #E317603 Indoor & Outdoor Rated
- cULus Listed

### ENVIRONMENTAL

Storage Temperature: -20° C to 85° C  
Operating Temperature: -10° C to 60° C

### COUNTRY OF ORIGIN

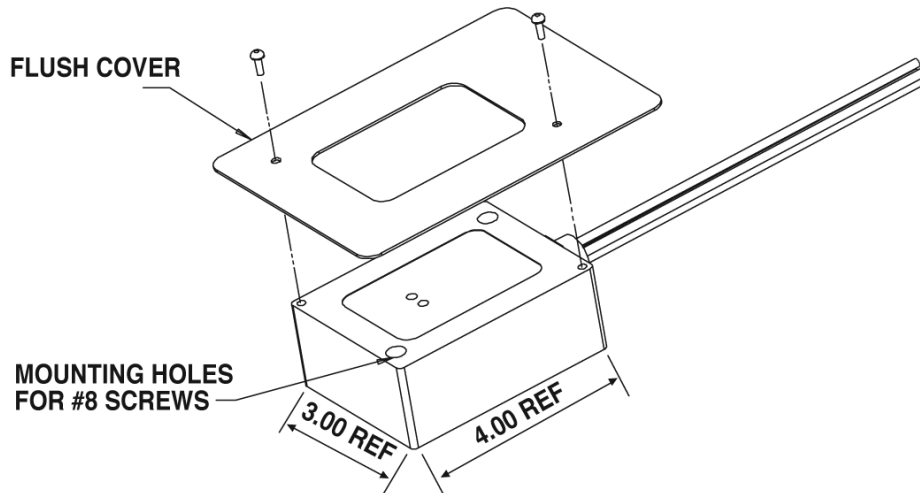
Mexico

### WARRANTY INFORMATION

For a copy of Leviton product warranties, visit [www.leviton.com/warranty](http://www.leviton.com/warranty).

**ELECTRONIC FILES**

For CAD files, typical specs, or technical drawings (.DXF, .DWG), visit [www.leviton.com](http://www.leviton.com).



51110-SRG

**PART NUMBERS**

Description	Part No.
51110-SRG Residential Surge Protection Panel	51110-SRG



<b>Leviton Network Solutions</b> 2222 - 222nd St. SE Bothell, WA 98021-4416  tel 1-800-824-3005 tel +1-425-486-2222 appeng@leviton.com www.leviton.com	<b>Asia / Pacific</b> T +1.631.812.6228 E infoasean@leviton.com	<b>Canada</b> T +1.514.954.1840 E pcservice@leviton.com	<b>Caribbean</b> T +1.954.593.1896 E infocaribbean@leviton.com	<b>China</b> T +852.2774.9876 E infochina@leviton.com	<b>Colombia</b> T +57.1.743.6045 E infocolombia@leviton.com
	<b>Europe</b> T +33.6.8869.1380 E infoeurope@leviton.com	<b>India / SAARC</b> T +971.4.886.4722 E infoindia@leviton.com	<b>Mexico</b> T +52.55.5082.1040 E lsamarketing@leviton.com	<b>Middle East &amp; Africa</b> T +971.4.886.4722 E lmeinfo@leviton.com	<b>South Korea</b> T +82.2.3273.9963 E infokorea@leviton.com