



**Color:**  Yellow

**UPC Code:** 07847796796

**Country Of Origin:** United States

**NEMA:**  
Non-NEMA



## 27W09

### Brand Features

Leviton's Wetguard line of industrial watertight wiring devices are the most versatile, well-engineered watertight devices on the market. They meet IP67 and NEMA ratings for water ingress protection, and offer many significant advantages over competitive brands.

### Item Description

20 Amp, 120/208 Volt 3-Phase Y, Non-NEMA, 4P, 4W, Locking Connector, Industrial Grade, Non-Grounding, Wetguard - YELLOW

### Technical Information

#### Electrical Specifications

**Amperage:** 20 A

**Current Limiting:** Full Rated Current

**Dielectric Voltage:** Withstands 2000V per UL498

**Grounding:** Non-Grounding

**Pole:** 4

**Temperature Rise:** Max 30C after 250 cycles OL at 200 percent rated current

**Voltage:** 120/208 VAC

**Wire:** 4

**Phase:** 3-Phase WYE

#### Environmental Specifications

**Environment:** Wet

**Flammability:** Rated V-2 per UL 94

**Operating Temperature:** -40°C to 60°C

#### Material Specifications

**Assembly Screws:** Stainless Steel 300

**Blades/Contacts:** Nickel-Plated Brass

**Body Interior:** Nylon

**Body Material:** EPTR Rubber

**Bushing:** Santoprene TPV

**Compression Nut, Strain Relief:** Nylon

**Terminal Screws:** Electroless Nickel-coated Brass

**Wire Module:** Nylon

#### Mechanical Specifications

**Cord Grip Range (in):** .375-.875

**Product ID:** Ratings and NEMA I.D. permanently marked on device

**Terminal Accom.:** #16 to #10

**Terminal ID:** Brass-Hot, Green-Ground, Silver-Neutral

#### Product Features

**Assembly Screws:** Stainless Steel 300

**Blades/Contacts:** Nickel-Plated Brass

**Body Material:** EPTR Rubber

**Brand:** Wetguard

**Color:** Yellow

**NEMA:** Non-NEMA

**Standards and Certifications:** Non-UL

**Device Type:** Locking Connector

#### Standards and Certifications

**ANSI:** C-73

**CSA C22.2 No. 42:** File LR-406

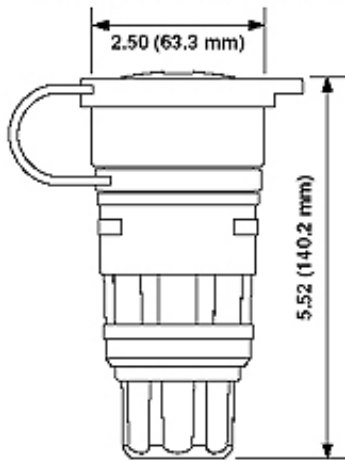
**NEMA:** WD-6

**NOM:** 057

**UL:** 498

**Warranty:** Lifetime Warranty

### Dimensional Diagram



### SPECIFICATION SUBMITTAL

|                      |                      |                      |
|----------------------|----------------------|----------------------|
| JOB NAME:            | CATALOG NUMBERS:     |                      |
| <input type="text"/> | <input type="text"/> | <input type="text"/> |
| JOB NUMBER:          | <input type="text"/> | <input type="text"/> |

**Leviton Manufacturing Co., Inc.**

201 North Service Road, Melville, NY 11747

Teléfono: +1-800-323-8920 · FAX: +1-800-832-9538 · Tech Line (8:30AM-7:30PM E.S.T. Monday-Friday): +1-800-824-3005

**Leviton Manufacturing of Canada, Ltd.**

165 Hymus Boulevard, Pointe Claire, Quebec H9R 1E9 · Telephone: +1-800-469-7890 ·

FAX: +1-800-824-3005 · [www.leviton.com/canada](http://www.leviton.com/canada)

**Leviton S. de R.L. de C.V.**

Lago Tana 43, Mexico DF, Mexico CP 11290 · Tel.: (+52)55-5082-1040 · FAX: (+52)5386-

1797 · [www.leviton.com.mx](http://www.leviton.com.mx)

**Visit our Website at: [www.leviton.com](http://www.leviton.com)**

© 2018 Leviton Manufacturing Co., Inc. Todos los derechos reservados. Subject to change without notice.

**Leviton has a global presence.**

If you would like to know where your local Leviton office is located please go to:

[www.leviton.com/international/contacts/](http://www.leviton.com/international/contacts/)

