



Color: N/A Transparent

UPC Code: 07847797873

Country Of Origin: United States

NEMA:
5-20R



8319-PLC

Brand Features

The Leviton line of Straight Blade Plugs and Connectors includes: Black & White® Industrial Grade devices that resist impact, corrosion and chemicals; Wetguard® for water or moisture resistance; Dustgard® for dust and dirt; Python™, with an innovative interlocking design; rugged nylon flanged and outlets; and integrated inlets and outlets with weather resistant covers.

Item Description

20 Amp, 125 Volt, NEMA 5-20R, 2P, 3W, Connector, Straight Blade, Hospital Grade, Grounding, Power Light - Transparent

Technical Information

Electrical Specifications

Grounding: Grounding

Amperage: 20 A

Voltage: 125 VAC

Pole: 2

Wire: 3

Temperature Rise: Max 30C after 250 cycles OL at 200 percent rated current

Dielectric Voltage: Withstands 2000V per UL498

Current Interrupting: Certified for current interrupting at full rated current

Environmental Specifications

Flammability: Rated V-2 per UL94

Operating Temperature: -40°C to 60°C

Environment: Dry

Material Specifications

Body Material: Super Tough Nylon

Back Cover: Thermoplastic

Wire Module: Nylon

Cord-Clamp: Nylon

Clamp Insert: Nylon

Blades/Contacts: Solid Brass

Terminal Screws: Brass

Assembly Screws: Steel, Zinc Plated

Color: Transparent

Mechanical Specifications

Terminal ID: Brass-Hot, Green-Ground, White-Neutral

Terminal Accom.: 18-10 AWG

Product ID: Ratings and NEMA I.D. permanently marked on device

Cord Range: .245 - .700

Product Features

NEMA: 5-20R

Color: Transparent

Feature: Power Indication

Brand: Black and White

Device Type: Straight Blade Connector

Standards and Certifications

NEMA: WD-6

ANSI: C-73

UL 498: File E13399

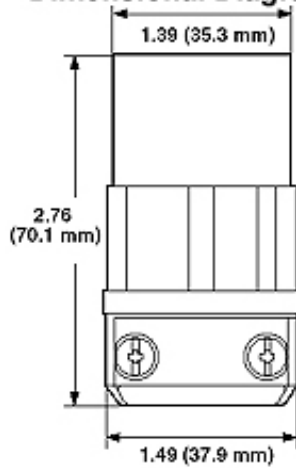
UL Fed Spec WC-596: File E13393

CSA C22.2 No. 42: File LR-406

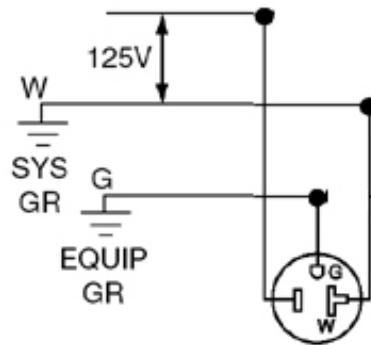
NOM: 057

Warranty: Lifetime Warranty

Dimensional Diagram



Wiring Diagram



5-20R

SPECIFICATION SUBMITTAL

JOB NAME: <input type="text"/>	CATALOG NUMBERS: <input type="text"/>	
JOB NUMBER: <input type="text"/>	<input type="text"/>	<input type="text"/>

Leviton Manufacturing Co., Inc.

201 North Service Road, Melville, NY 11747

Teléfono: +1-800-323-8920 · FAX: +1-800-832-9538 · Tech Line (8:30AM-7:30PM E.S.T. Monday-Friday): +1-800-824-3005

Leviton Manufacturing of Canada, Ltd.

165 Hymus Boulevard, Pointe Claire, Quebec H9R 1E9 · Telephone: +1-800-469-7890 ·

FAX: +1-800-824-3005 · www.leviton.com/canada

Leviton S. de R.L. de C.V.

Lago Tana 43, Mexico DF, Mexico CP 11290 · Tel.: (+52)55-5082-1040 · FAX: (+52)5386-

1797 · www.leviton.com.mx

Visit our Website at: www.leviton.com

© 2018 Leviton Manufacturing Co., Inc. Todos los derechos reservados. Subject to change without notice.

Leviton has a global presence.

If you would like to know where your local Leviton office is located please go to:

www.leviton.com/international/contacts/

