



**Color:** Ivory



# CSB1-15I

**UPC Code:** 07847724025

**Country of Origin:** United States - *\*Eligible for ARRA funded projects*



*\*Disclaimer*

**Description**

15 Amp, 120/277 Volt, Toggle Single-Pole AC Quiet Switch, Commercial Spec Grade, Grounding, Back & Side Wired, - Ivory

**Product Features**

Color: Ivory

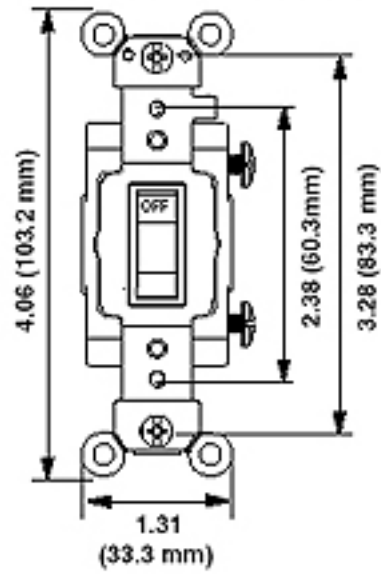
AC Horsepower Ratings	
HP Rating	1/2HP-120V 2HP-240V
Environmental Specifications	
Flammability	Rated V-2 per UL94
Operating Temperature	-40°C to 65°C
Mechanical Specifications	
Terminal ID	Brass-Hot, Green-Ground, Silver-Neutral
Terminal Accom.	14-#10 AWG back wired; #14-#12 AWG side wired
Termination	Back & Side
Product ID	Stamped on Strap
Torque Range	12-14 inch pounds

Electrical Specifications	
Amperage	15 Amp
Voltage	120/277 VAC
Max. Amperage	12 Amp
Dielectric Voltage	Withstands 1500V for 1 minute
Temperature Rise	Maximum 30 degrees C rise

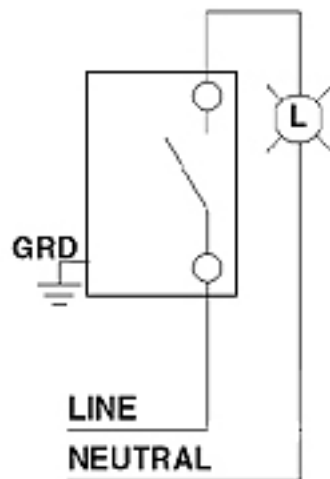
Material Specifications	
Body Material	Thermoplastic
Base Material	PBT
Strap Material	Steel
Actuator Material	Polycarbonate
Toggle	Polycarbonate
Cover Material	Nylon
Contacts	Silver-Cadmium .031 Thick
Terminal Screws	Steel 8-32
Color	Ivory

Standards and Certifications	
NEMA	WD-1 & WD-6
ANSI	C-73
UL Fed Spec WS896E	File #E7458
UL Standard	UL 20
CSA C22.2 No. 111	File #152105
NOM	057
Warranty	10-Year Limited

### Dimensional Diagram



### Wiring Diagram Single Pole



### SPECIFICATION SUBMITTAL

JOB NAME: <input type="text"/>	CATALOG NUMBERS: <input type="text"/>	
JOB NUMBER: <input type="text"/>	<input type="text"/>	<input type="text"/>

**Leviton Manufacturing Co., Inc.**

201 North Service Road, Melville, NY 11747

Telephone: 1-800-323-8920 · FAX: 1-800-832-9538 · Tech Line (8:30AM-7:30PM E.S.T. Monday-Friday): 1-800-824-3005

**Leviton Manufacturing of Canada, Ltd.**

165 Hymus Boulevard, Pointe Claire, Quebec H9R 1E9 · Telephone: 1-800-469-7890 ·

FAX: 1-800-824-3005 · [www.leviton.com/canada](http://www.leviton.com/canada)

**Leviton S. de R.L. de C.V.**

Lago Tana 43, Mexico DF, Mexico CP 11290 · Tel.: (+52)55-5082-1040 · FAX: (+52)5386-1797 ·

[www.leviton.com.mx](http://www.leviton.com.mx)



**Visit our Website at: [www.leviton.com](http://www.leviton.com)**

© 2007-2018 Leviton Manufacturing Co., Inc. All rights reserved. Subject to change without notice.

**Leviton has a global presence.**

If you would like to know where your local Leviton office is located please go to:

[www.leviton.com/international/contacts/](http://www.leviton.com/international/contacts/)

*\*Buy American Compliant Logo -- The American Recovery And Reinvestment Act of 2009 ("ARRA") provides federal grants and loans for projects throughout the country. Section 1605 of the Act, named the "Buy American" provision, requires that certain materials and manufactured products used in projects funded by the Act be manufactured in the United States. The appearance of the Recovery Act Logo in relation to a Leviton product is only intended to reflect that such product may be used in an ARRA funded project. It does not mean that such product or Leviton is sponsored or endorsed by, or that Leviton receives funds from, the federal government or the Recovery Accountability and Transparency Board. Nothing in Leviton's use of the logo is intended to suggest anything regarding the requirements for funding under ARRA.*