

Industrial and Commercial Grade Low-Voltage AC/DC Switches

Standard and Momentary-Contact Versions
for Use in Today's Lighting and Energy Control Systems.



We are pleased to announce the expansion of our low-voltage (24V AC/DC) switch offerings. These rugged commercial and industrial grade switches are ideal for use in locations where it is important to maintain the look and feel of conventional AC Switches.

Low-voltage momentary contact switches provide local control of relay switching in lighting systems such as Leviton's Z-Max, occupancy sensor control and many other low-voltage applications. The industrial grade 1081 series has a standard toggle, while the commercial grade 56081-2 series features a Decora Plus™ rocker.

For low-voltage AC or DC energy control systems, such as thermostats, fan controls and those related to solar and wind energy, we offer the industrial grade 12021-2 toggle type and commercial grade 56021-2 Decora Plus™ rocker switches.

Switch Features:

- 3 Amp, 24 Volt AC/DC
- Available in SPST or Momentary Contact SPDT (Center-Off) versions
- Standard Toggle or Decora Plus™ rocker to match existing décor
- 10-year limited warranty
- Available in popular commercial colors (Ivory, White, Almond)

Switch Features



Cat No. 56081-2W

■ Triple-drive combination mounting screws (straight slot, Phillips and Robertson head)

■ Decora Plus™ Switches have concave rockers that present a low profile



Cat. 56021-2I

■ One-piece wrap-around heavy gauge steel strap incorporates locking tabs for extra strength

■ Decora Plus™ Switches feature back and side wiring terminals and accept both stranded and solid conductors

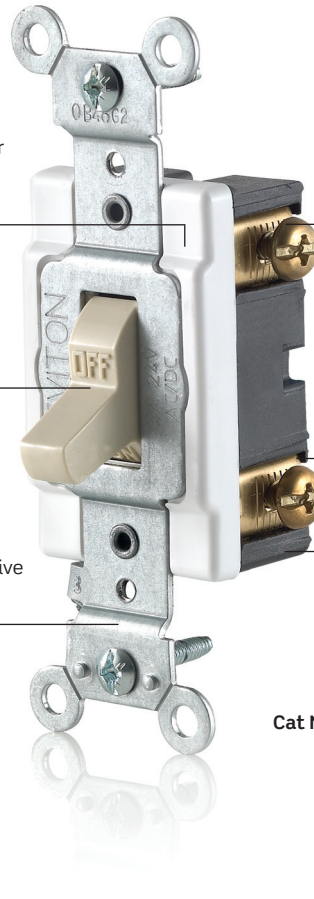


Cat No. 1081-W

■ Fully enclosed switch mechanism in rugged thermoplastic housing for strength, tracking and arc resistance

■ Toggle has high-impact strength and withstands elevated operating temperatures

■ Heavy gauge, anti-corrosive mounting strap



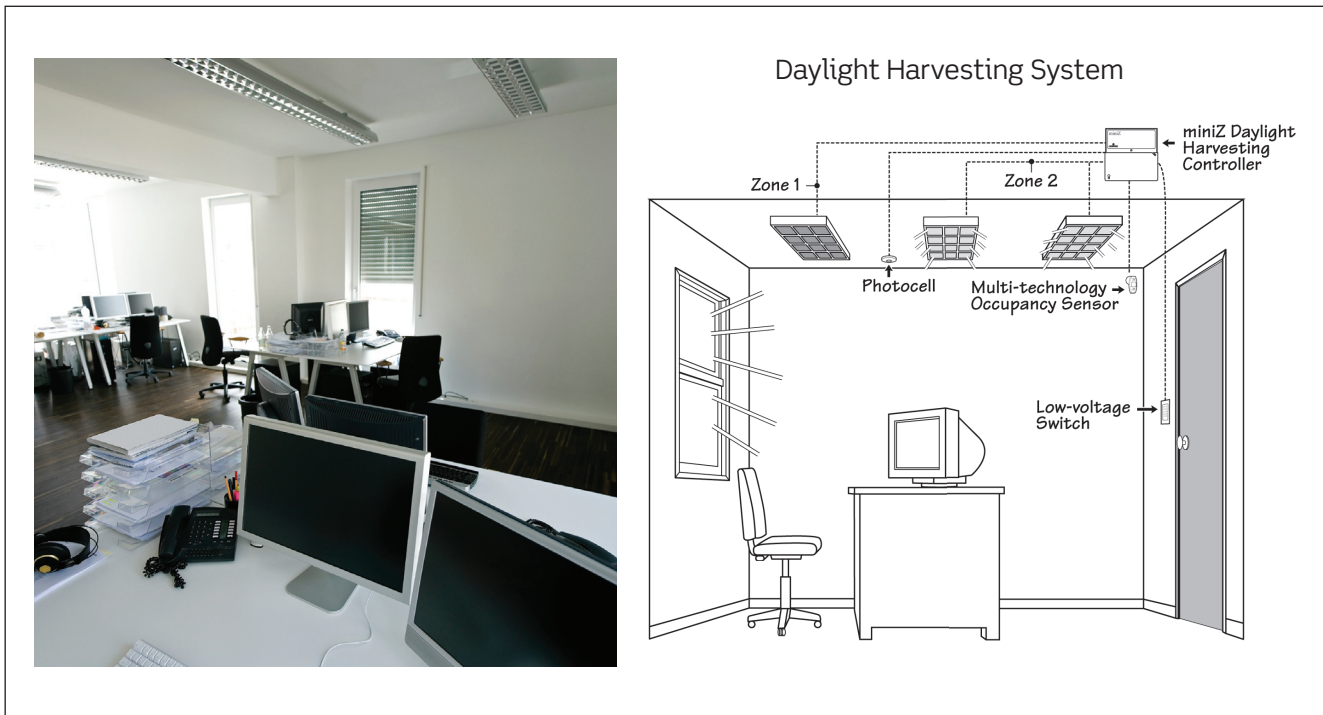
Cat No. 12021-2I

■ Large head, brass screws for speedy wiring and installation

■ External clamp-type terminal provides secure connection for back and side wiring

■ Shallow 3/4" deep body for more wall box room (12021-2 only)

- A common application for low-voltage switches is as a manual override for relay driven systems, such as daylight harvesting systems or other lighting control applications as shown below.

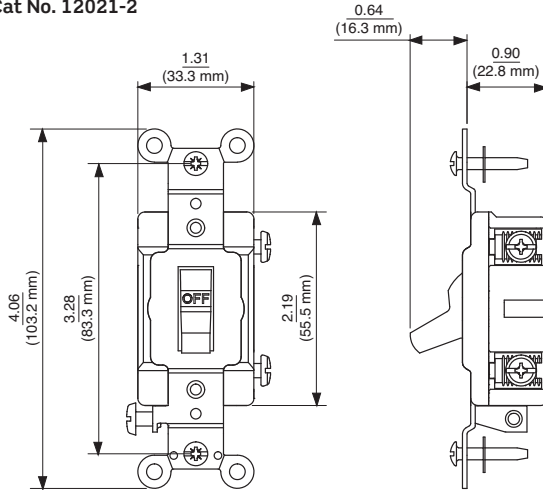


Specifications

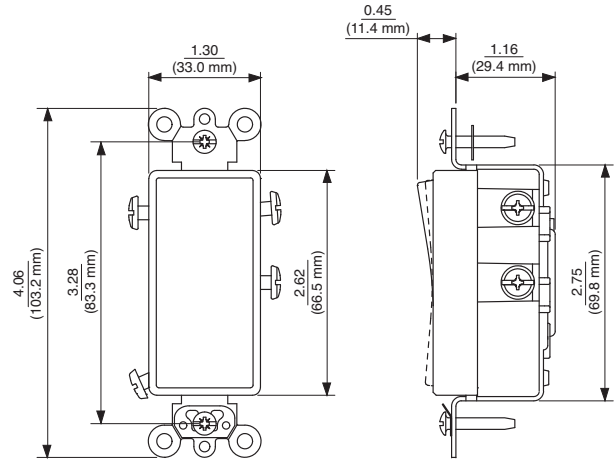
Electrical Specifications	
Maximum Working Voltage	24V AC or DC
Material Specifications	
Base Material	Polyester
Cover Material	Polyester (Cat No 1081) or Nylon (Cat No 12021-2)
Contacts	Silver-Alloy
Terminal Screws	Brass
Frame Material (56081-2 and 56021-2)	Polycarbonate
Toggle	Nylon (Cat No 1081) or Polycarbonate (Cat No 12021-2)
Rocker	Polycarbonate
Mechanical Specifications	
Product Identification	Ratings are permanently marked on device
Environmental Specifications	
Flammability	UL 94V-2
Operating Temperature	-40°C to 65°C

Dimensions

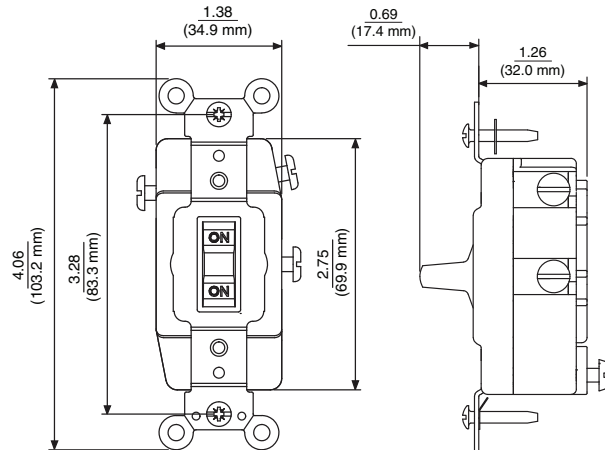
Cat No. 12021-2



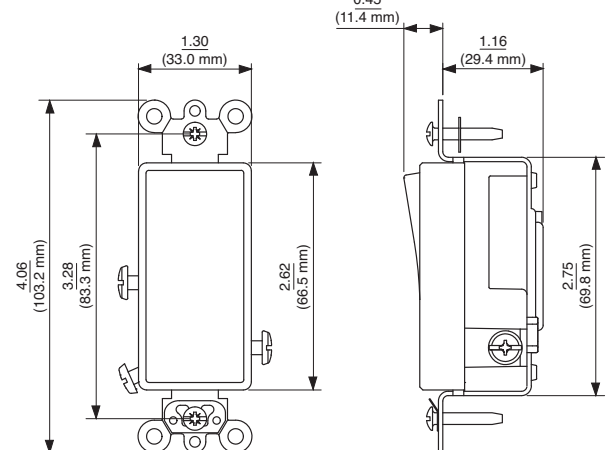
Cat No. 56081-2



Cat No. 1081



Cat No. 56021-2



Ordering Information

	Color	Toggle	Decora Plus™ Rocker
Momentary Contact (SPDT Center-off)	Ivory	1081-I	56081-2I
	White	1081-W	56081-2W
	Almond	1081-A	56081-2A
Standard SPST	Ivory	12021-2I	56021-2I
	White	12021-2W	56021-2W
	Almond	12021-2A	56021-2A

Leviton Manufacturing Co., Inc.

201 North Service Road, Melville, NY 11747

Telephone: 1-800-323-8920 • FAX: 1-800-832-9538 • Tech Line (8:30AM-7:30PM E.S.T. Monday-Friday): 1-800-824-3005

Leviton Manufacturing of Canada, Ltd.

165 Hymus Boulevard, Pointe Claire, Quebec H9R 1E9

Telephone: 1-800-469-7890 • FAX: 1-800-563-1853

Leviton S. de R.L. de C.V.

Lago Tana 43, Mexico DF, Mexico CP 11290

Tel. (+52) 55-5082-1040 • Fax: (+52) 55-5386-1797 • www.leviton.com.mx

Visit our Website at: www.leviton.com/industrial email: industrial@leviton.com

© 2009 Leviton Manufacturing Co., Inc. All rights reserved.

