

evr-green™ Dual Port Level 2 Network Charging Stations

For Public Applications



Leviton's Evr-Green™ Public Use Charging Stations offer municipalities, corporations, fleets, and utilities, high-reliability, plug-in electric vehicle charging that drivers prefer. The easy-to-use stations integrate aesthetics and ergonomics with sturdy construction—ideal for commercial and outdoor public applications.

The Evr-Green™ Dual Port Level 2 charging station can charge two vehicles simultaneously. It is a dual output station providing 7.2 kW (208/240 V @ 30 A) to each of the two charging ports. The station supports Level 2 charging only and is designed for the North American marketplace. Charging is delivered via a standard SAE J1772™ connector and 18 or 23-foot cable.

To enhance safety and eliminate energy theft, drivers access and energize the station using a ChargePass™ Card or contactless credit card. The station's highly visible display guides drivers with instructive messages and can be used to display custom advertisement to drivers.

ChargePoint®
Network

Made in USA

Features/Benefits

ChargePoint Network Features:

ChargePoint enabled stations communicate with the ChargePoint Network via cellular modem. Data lines are not required when installing these stations. These stations utilize the ChargePoint Network for the following functions:

- **Remote Monitoring and Troubleshooting** - Charging sessions can be started from remote and a station can be re-booted from remote.
 - 24x7x365 EV Driver Support via a Toll-Free Phone Number printed on each station.
- **Restricted Access** via ChargePass card, RFID contactless credit card, or the Toll-free phone number printed on each station.
 - PCI Compliant Payment Collection and Processing via ChargePass card or RFID contactless credit card.
- **Flexible Software for Setting Usage Fees** - Station Managers can charge usage fees per hour or per session. A very flexible system, usage fees may be different across stations.
- **Mobile Applications for iPhone and Blackberry** - These applications enable drivers to quickly locate stations, reserve a station, identify the payment scheme, and track their charging sessions.
- **Mobile Alert System** - EV drivers, Fleet Vehicle Drivers, or Valet Station Operators using a ChargePass card can receive text messages or email alerts regarding charging status such as: Charging Successfully, Finished Charging, Plug-Out at the Station, and Ground Fault Interruption at Station.
- **Easy-to-Operate Access Control and Pricing** - Using the ChargePass cards, station managers can restrict usage on the station to only certain card holders. Station managers can also set preferential pricing scenarios on the station for drivers using the ChargePass card.
- **On-line Station Management Software** - Real-time reporting for each charging station: Reports power consumed for each charging session, Session start and stop time, Payment Collected, and Events which have occurred on the station. Enables station managers to set pricing per station. Pricing may be set per hour or per session and change according to time-of-day.
- **Fleet Management** with the optional Fleet Manager software. This software enables Fleet Managers to view which vehicles are charging, receive alerts regarding charging status, and produce fleet reports including greenhouse gas emission reduction.

ChargePoint enabled stations require subscription to the ChargePoint Network. The ChargePoint Network is an annual subscription program.

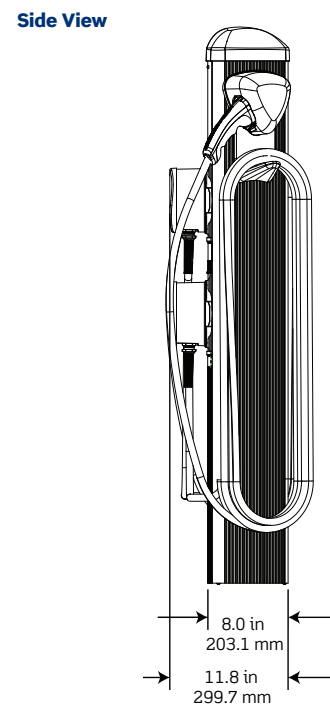
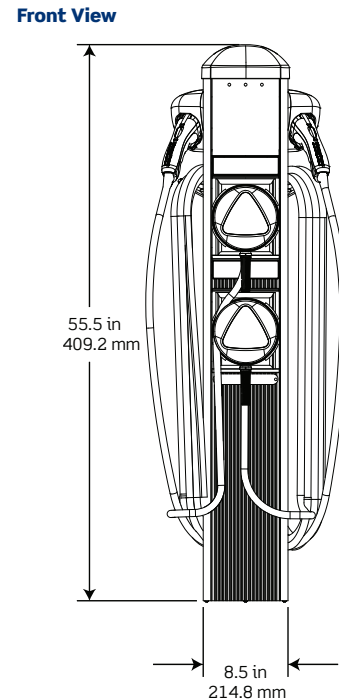
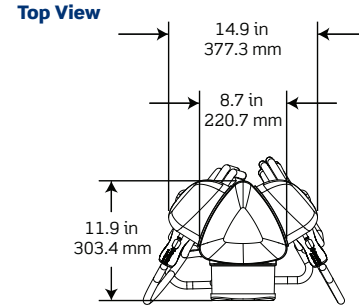
Dual Port Level 2 Public Use Station Hardware Features:

- **Compact Design** - A Dual Port, networked station with the smallest footprint. Takes up less space and charges two vehicles from one mounting location.
- **Smart Card Readers** - Integrated RFID readers that accept ChargePass cards or contactless credit cards. Provides optional driver billing and custom access control, preventing electricity theft and enhancing safety.
- **Segmented Construction for Fast and Easy Installation or Repair** - Mounting assembly, cable assemblies, and the head are separate segments. This makes it easy to stage installation and replace segments without sacrificing the full station.
- **Intelligent Power Control** - Algorithms ensure power is delivered only when a driver is authorized and the SAE J1772™ connector is properly seated in the vehicle's mating inlet.
- **Vacuum Fluorescent Display with Multiple Language Support** - Bright, easy-to-read display provides user instructions, station status, and text advertising messages. The display can support alternate languages.
- **Utility Grade Energy Meter** - Integrated power metering circuitry provides accurate bi-directional energy measurement.
- **Integrated Fault Detection** -
 - Ground Fault Detection circuitry with auto retry and driver notification to ChargePass card users.
 - Over-Current Detection: Disconnects power to prevent nuisance breaker trips at service panel. Unit will auto-retry and notify ChargePass card users.
- **Network Interface** - Wireless mesh and cellular network interfaces allow seamless integration with back office business systems or utility Advanced Metering Infrastructures (AMIs).
- **Smart Grid Compatible** - Utility grade meter and smart-grid interfaces enable demand response and Time-Of-Use (TOU) pricing.
- **Locking Holster** - Ideal for publicly accessible environments. SAE J1772™ connector electromechanically locks in to the holster. Station releases the connector when a driver is authorized to use it. The locking holster keeps the SAE J1772™ connector in the holster and off the pavement between charging sessions.

Specifications

Electrical Input - Two Independent 40 Amp Branch Circuits	
Input Power Per Charging Port	7.2 kW
Input Voltage Per Charging Port	208/240 VAC
Input Current Per Charging Port	30 A
Input Power Connections	Two independent 40 A branch circuits, each providing Line 1 and Line 2, and a single protective Earth conductor
Recommended Service Panel Breaker Per Charging Port	40 A double pole breaker (non-GFCI type) on dedicated circuit
Standby Power	7 W typical
Electrical Output	
Output Charging Power Per Charging Port	7.2 kW
Output Voltage Per Charging Port	240 VAC
Output Current Per Charging Port	30 A
Output Charging Connector Per Charging Port	SAE J1772™ EV Connector on 18 or 23-foot (7.62 m) cable
Functional Interfaces	
Card Reader	ISO 15693, 14443
Ground Fault Detection	20 mA CCID with auto retry (15 minute delay, 3 tries)
Plug-Out Detection	Power terminated per SAE J1772™ specification
Power Measurement	2% @ 15 minute intervals
Local Area Network	2.4 GHz 802.15.4 dynamic network
Wide Area Network	Commercial GPRS cellular data network
Safety and Operational Ratings	
Safety Compliance	UL Listed for USA and cUL certified for Canada; Complies with UL 2594, UL 2231-1, UL 2231-2, UL 1998, UL 991, NEC Article 625.
Surge Protection	6 kV @ 3,000. In geographic areas subject to frequent thunderstorms, supplemental surge protection is recommended.
EMC Compliance	FCC Part 15 Class A
Operating Temperature	-22°F to 122°F (-30°C to +50°C)
Operating Humidity	95% non-condensing
Enclosure	NEMA Type 3R
Terminal Block Temperature Rating	212°F (100° C)
Maximum Charging Stations per 802.15.4 Radio Group	24. Each station must be within 150 feet "line of sight" of one gateway station.

Dimensions



evr-green™ Level 2 Charging Stations

Evr-Green Level 2 Charging Station are comprised of three sections:

- Mounting Mechanism
- Cable Assembly
- Head Unit

To order a Level 2 Charging Station, select a mounting mechanism, cable assembly, and head unit. A complete system must contain items from each system section.



Mounting Mechanism – Dual Port Level 2 Public Use Station	
There is only one mounting mechanism for the Dual Port Level 2 Public Use Station.	

18-Foot Cable Ordering Information

Bollard / Pedestal Mounting	
CTMB2-N	Bollard Mounting System for Dual Port Level 2 Only Public Use Stations
Cable Assembly – Dual Port Level 2 Public Use Station	
The Dual Port Level 2 Public Use Station requires TWO cable assemblies. Must purchase BOTH cable assembly catalogue numbers for a complete station.	
CTCL1-N18	30A Locked Cable Assembly for Charging Port Number 1. Use only with Dual Port Level 2 Public Use Stations. Includes 18ft cable, J1772 connector, and connector holster. This cable assembly can't be interchanged with CTCL2-N18 or CTCLX-30*.
CTCL2-N18	30A Locked Cable Assembly for Charging Port Number 2. Use only with Dual Port Level 2 Public Use Stations. Includes 18ft cable, J1772 connector, and connector holster. This cable assembly can't be interchanged with CTCL1-N18 or CTCLX-30*.
Head Unit – Dual Port Level 2 Public Use Station	
CTHG2-NS	GPRS Gateway Head Unit for Dual Port Level 2 Only Stations. Includes GPRS SIM for USA, ChargePass card reader, and Contactless Credit Card RFID reader. US Only. Includes one year of ChargePoint commercial network services for each Level 2 port. Activation requires submission of Master Service Agreement.

* Limited quantities available

23-Foot Cable Ordering Information

Bollard / Pedestal Mounting	
CTMB2-N	Bollard Mounting System for Dual Port Level 2 Only Public Use Stations
Cable Assembly – Dual Port Level 2 Public Use Station	
The Dual Port Level 2 Public Use Station requires TWO cable assemblies. Must purchase BOTH cable assembly catalogue numbers for a complete station.	
CTCL1-N30	30A Locked Cable Assembly for Charging Port Number 1. Use only with Dual Port Level 2 Public Use Stations. Includes 23ft cable, J1772 connector, and connector holster. This cable assembly can't be interchanged with CTCL2-N18 or CTCLX-30*.
CTCL2-N30	30A Locked Cable Assembly for Charging Port Number 2. Use only with Dual Port Level 2 Public Use Stations. Includes 23ft cable, J1772 connector, and connector holster. This cable assembly can't be interchanged with CTCL1-N18 or CTCLX-30*.
Head Unit – Dual Port Level 2 Public Use Station	
CTHG2-NS	GPRS Gateway Head Unit for Dual Port Level 2 Only Stations. Includes GPRS SIM for USA, ChargePass card reader, and Contactless Credit Card RFID reader. US Only. Includes one year of ChargePoint commercial network services for each Level 2 port. Activation requires submission of Master Service Agreement.

* Limited quantities available

Charging Station Software
All public use charging stations include four years of ChargePoint Network Service including payment collection. The service includes online software which provides station owners with real-time station monitoring, station reporting, and billing software. To use the ChargePoint Network Services, station owners must complete ChargePoint's Master Service & Subscription Agreement.

Leviton Manufacturing Co., Inc.

201 N Service Rd, Melville, NY 11747

Leviton Manufacturing of Canada, Ltd.

165 Hymus Blvd, Pointe-Claire, QC H9R 1E9

Leviton S. de R.L. de C.V.

Lago Tana 43, Col. Huichapan, Miguel Hidalgo, CP 11290 México DF

For more information call 1-877-338-7473 or visit us at leviton.com/evrgreen

© 2013 Leviton Manufacturing Co., Inc. All rights reserved.

Specifications subject to change without notice. ChargePoint is a registered trademark of Coulomb Technologies, Inc.



091113

Q-696N