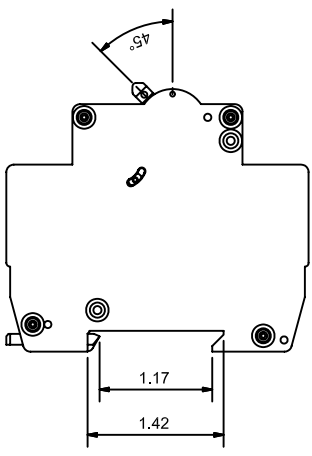
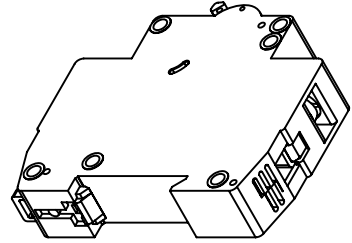
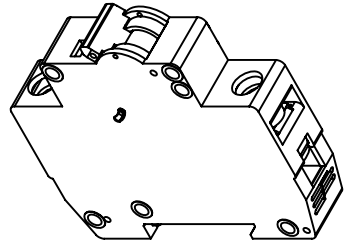
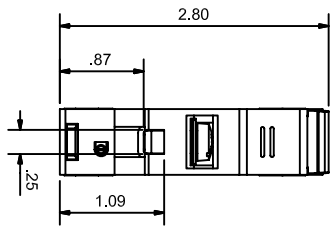
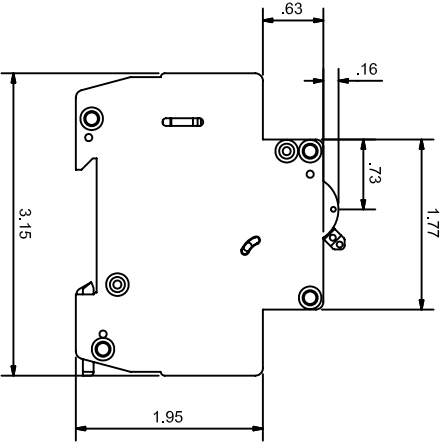
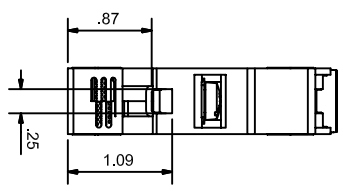


REVISION HISTORY			
HM	TL	01/13/10	1
NEW DRAWING			

UNLESS OTHERWISE SPECIFIED	
DIMENSIONS IN INCHES	TWO PL, DEC. ± 0.02
	THREE PL, DEC. ± 0.05
	ONE PL, MM, ± 0.05
	TWO PL, MM, ± 0.13
	TOLERANCE ± 10%
DIMENSIONS TO BE INTERPRETED IN ACCORDANCE WITH ASME Y14.5M-1995	
STANDARD SYMBOL PER DRAWING	652A2750

DESIGNER	H. MAZZARA	DATE	1/13/2010
ENGINEER	T. LATHROP		
DESIGN CHECK			
REFERENCE			
NEXT ASSY.			
DATE/REV.			
INTERNAL SPEC.			
PROJECT NO.	C	SCALE	1 : 1
MODEL FILENAME	L7GBB	POINTS LIST	
DRAWING	67D9115.dpt		
TITLE	MINIATURE CIRCUIT BREAKER UL1077 DIN RAIL MOUNT WMZS 1 POLE		
PROJECT NO.	67D9115		
THIRD ANGLE PROJECTION			



4 3 2 1

4 3 2 1

A

B

C

D

A

B

C

D