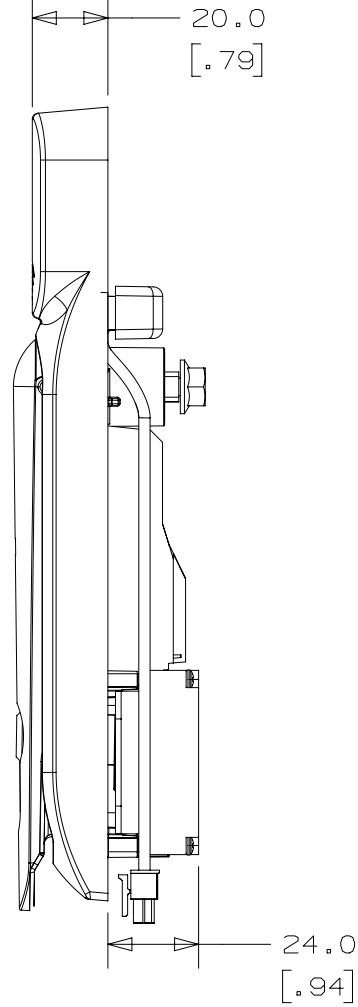
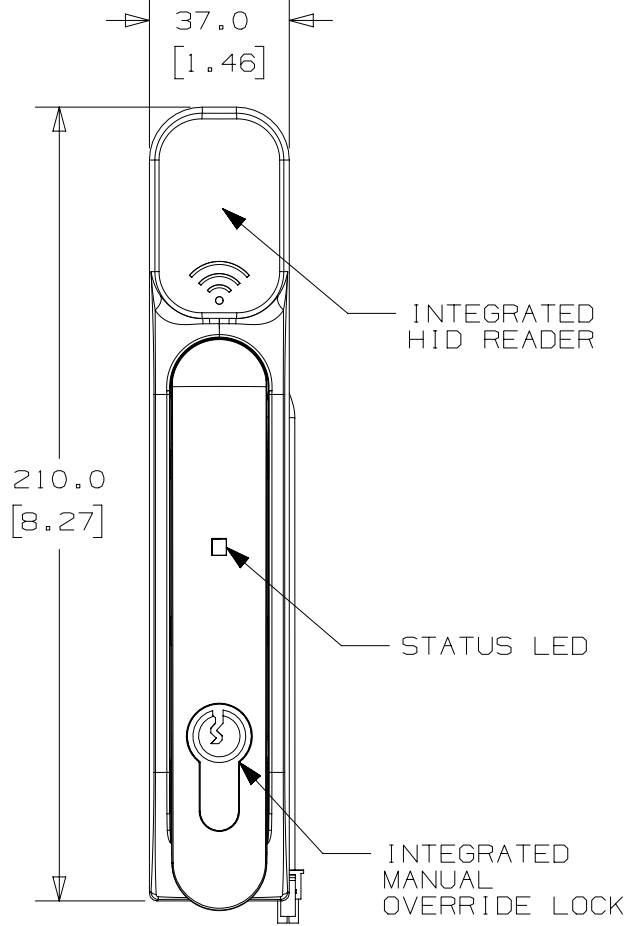
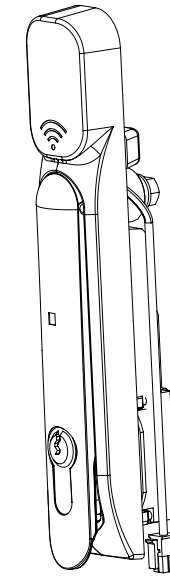


THIS COPY IS PROVIDED ON A RESTRICTED BASIS AND IS NOT TO BE USED IN ANY WAY DETRIMENTAL TO THE INTERESTS OF PANDUIT CORP.



1. VISIT OUR ON-LINE CATALOG AT [WWW.PANDUIT.COM](http://WWW.PANDUIT.COM) FOR A LIST OF CURRENT PARTS APPLICABLE FOR USE WITH THIS PRODUCT.
2. DIMENSIONS IN PARENTHESES ARE INCHES [in].
3. THIS ELECTRONIC HANDLE LINKS TO A SMARTZONE EPA SERIES GATEWAY TO RESTRICT ACCESS TO A CABINET.



REV	DATE	BY	CHK	APR	DESCRIPTION	ECN
00A	09/20/2017	PJST	CSH	EDM		

TITLE							ACE02			
ITEM REVISION NAME							CUSTOMER DRAWING			
DATASET FILE NAME							ACE02/00		<b>PANDUIT</b>	
MATERIAL:							N/A			
UNLESS OTHERWISE SPECIFIED, DIMENSIONAL TOLERANCES ARE: mm [IN]							DRAWING NUMBER:			
.X ±							.XXX ±		ACE02_DC	
.XX ±							ANGLES ±		SHT 1 OF 1	
THIRD ANGLE PROJECTION							SCALE		SIZE	
DRAWN BY		DATE		CHK		SCALE		SIZE		
PJST		09/20/2017		CSH		1:2		A		

D10100DA/20