

specifications

The clamp meter enables the non-invasive, real-time monitoring of single phase current for any device or power strip rated up to 30A by placing the clamp meter directly over a non-armoured power cable with a choice of locking-ring collars to suit international 20A and 30A cable sizes. The clamp meter will be installed as part of a primary/secondary topology, where all critical intelligence and monitoring power supply for the clamp meter is retained within a connected gateway. Data captured from the clamp meter will be used to display baseline operational data through connected gateway firmware or through the SmartZone™ Software Suite platform. The current flow is shown on a local display.



technical information

Dimensions:	5.3 in. x 3.5 in. x 1.6 in. (134mm x 88mm x 40mm)
Weight:	1.1 lbs. (0.5Kg); 2.2 lbs. (1Kg) packaged
Packaging:	1.1 lbs. (0.5Kg)
Mounting:	Zero RU; clips onto cable; free-standing

key features and benefits

Non-invasive	Allows device to be attached directly over single phase operating power cables and begin measuring power without the need to power down monitored device, eliminating operational interruptions, while minimizing time delays and risks that can be associated with downtime. Included adapters accommodate cable diameters between 0.31 in. (8mm) and 0.71 in. (18mm). All cables in the vicinity of a clamp meter should be kept at least 100mm from the clamp meter body, except for the cable being monitored
Extended intelligence	Layers intelligent monitoring capabilities over non-intelligent devices to quickly and cost-effectively integrate DCIM benefits into legacy installations using patented technology
RJ45 connection	Utilizes an RJ45 plug to quickly connect SmartZone™ Clamp Meter to a SmartZone™ Gateway port, avoiding complex wiring requirements and time delays
Primary/secondary network topology	Connects to a SmartZone™ Gateway device that houses the intelligence and monitoring power supply for the SmartZone™ Clamp Meter within the gateway itself to simplify the network architecture and lower overall power consumption
Vendor neutral	Attaches to the power cable of any powered device to enable monitoring of any new or existing third-party devices, cost-effectively maximizing resources
Zero RU form factor	Allows clamp meter to be attached in any convenient cable location within a rack or cabinet enclosure, simplifying and accelerating deployment time and reducing the need for valuable rack space
SmartZone™ Software suite integration	Captures initial power data that is consolidated by connected gateways and then utilized by SmartZone™ Software Suite modules for real-time monitoring and display, management, and automated documentation

applications

SmartZone™ Power Monitoring Devices capture power consumption data of non-intelligent, vendor neutral equipment within IT and facility domains. SmartZone™ Power Monitoring Devices operate using intelligence and monitoring power supplied by SmartZone™ Gateways, connected via RJ45 ports. The gateways collect data captured from the power monitoring devices for display via gateway firmware or for utilization by SmartZone™ Software platforms. Unique form factors simplify installations, allowing IT and facility teams to quickly and easily retrofit legacy (brownfield) installations with intelligence capabilities in a manner that cost-effectively maximizes current resources.

The Panduit® SmartZone™ Clamp Meter captures basic power consumption of non-intelligent devices by attaching the clamp meter casing directly over a live power cable and then easily plugging the clamp meter into an RJ45 gateway port. This rapidly initiates power consumption monitoring and measurement without the service interruption of powering down devices.

SmartZone™ Clamp Meter

cable types supported – EMEA

Calibration B-Values

Value	Region	Cable Type
52.000	EMEA	Titanex 3G6 3 Core 6mm ²
54.580	EMEA	K-WELL SHIN HO7RN-F 3C 6.0mm ² <VDE>
58.358	EMEA	Pirelli 3G4 3 Core 4mm ²
59.750	EMEA	Doncaster Cables England 3 Core 4mm ²
60.819	EMEA	Titanex 3G4 3 Core 4mm ²
60.252	EMEA	Lineax 3G4 3 Core 4mm ²
61.000	EMEA	ESSEX ROYAL 10/3 TYPE SOW 90C (-40C) 600V WATER RESISTANT E42608-B(UL) CSA LL35441-B FT2...P-159-18 MSHA
73.750	EMEA	3x2.5 HO5VV-F TO BS6500
75.933	EMEA	IEMMEQU <HAR> HO7RN-F 3G3.5mm ² ARISTONCAVI 2008
95.142	EMEA	3 x 1.5 3 Core 1.5mm ²
113.920	EMEA	3G1.5 3 Core 1.5mm ²
122.675	EMEA	BKS BS6500 HO5VV-F

cable types supported – North America

Calibration B-Values

Value	Region	Cable Type
53.860	US	E56356 60°C 300V 10-3 SJTW FT2 (UL) (-50°C) WATER RESISTANT C (UL) 60°C (140°F) 300V 3X5.26mm (10AWG)
55.200	US	(UL) E166124 SJT 3x5.251mm ² (10AWG) 105°C (221°F) 300V VW-1 SWAIN CSA LL105054 TYPE SJT 3x5.251mm ² (10AWG) 105°C (221°F) 300V FT-2
55.710	US	(UL) SJT E55333 VW-1 3C/10AWG 300V LONGWELL-P CSA TYPE SJT FT2
56.580	US	(UL) SJT 60°C (140°F) E55333 VW-1 3x5.26mm (10AWG) 300V LONGWELL-P CSA 152192 TYPE SJT 60°C 3x5.26mm (10AWG) 300V FT2
57.000	US	AMERICAN INSULATED WIRE-K 10/3 SE00N(UL) 600V -50C to 105C CSA LL 8825 ST00W(TPE)600V -50°C to 105C FT2 WATER RESISTANT p-7K 136032 MSHA LEAD FREE
57.390	US	TF CABLE FLEXTREME 3/C 10AWG (5.3mm) (UL) SOOW E123366 90°C (194°F) SUN and WATER RES 600V CSA SOOW 90°C (194°F) LL103932 FT2 -40°C P-7K-254013 MSHA 026/11
57.800	US	(UL) E166124 SJT 3x5.251mm ² (10AWG) 105°C 300V VW-1 SWAIN CSA LL105054 TYPE SJT 3x5.251mm ² (10AWG) 105°C (221°F) 300V FT-2
58.200	US	(UL) E166124 SJT 3x5.251mm ² (10AWG) 105°C (221°F) 300V VW-1 SWAIN CSA LL105054 TYPE SJT 3x5.251mm ² (10AWG) 105°C 300V FT-2. Black plug
59.630	US	C (UL)US E90155-D SJTW 3x5.26mm (10AWG) 105°C 300V VW-1 WELL SHIN
61.167	US	Southwire Viper (S) 3/C 10 AWG (5.26mm ²) SOOW (UL) 600V 74 12/
62.240	US	CCI SEOPRENE 105 10AWG (5.26mm) 3/C SJEOOW E54864 (UL) 300V -50°C TO 105°C (-58°F to 221°F) CSA LL39753 SJTOOW (TPE) -50°C TO 105°C (-58°F to 221°F) WATER-RESISTANT
63.900	US	(UL) E166124 SJT 3x5.251mm ² (10AWG) 105°C (221°F) 300V VW-1 SWAIN CSA LL105054 TYPE SJT 3x5.251mm ² (10AWG) 105°C 300V FT-2. White plug
64.030	US	CCI 10AWG (5.26mm) 3/C ST E54864 (UL) 60°C (140°F) 600V – CSA LL39753 ST 60°C (140°F) 600V FT1
67.160	US	CAROL 10/3 90C (UL) WATER RESISTANT SOOW CSA (-40) FT-2 P-7K-123033 MSHA MADE IN USA 600V
74.000	US	Southwire Viper (S) 3/C 12 AWG (3.31mm ²) SOOW (UL) 600V
88.150	US	HELUKABEL <VDE><HAR> CE E192384 (UL) SJT 3x12 AWG 60C 300V FT2 LL113926 CSA SJT 60C FT2
102.000	US	Southwire Viper (S) 3/C 14 AWG (3.58mm ²) SOOW (UL) 600V
109.370	US	Southwire Viper (S) 3/C 12 AWG (3.31mm ²) SJOOV (UL) 300V
113.330	US	(UL) SJT E159216 VW-1 3X14AWG BAOHING CSA SJJ LL112007-1 3X14AWG LF

SmartZone™ Clamp Meter

cable types supported – Japan

Calibration B-Values

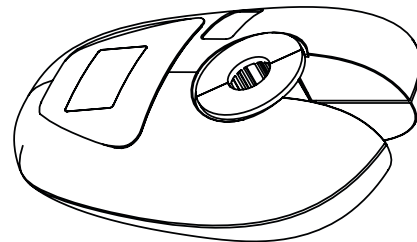
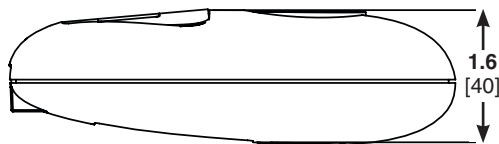
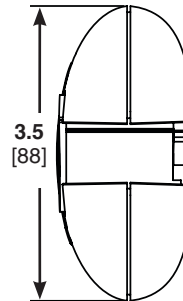
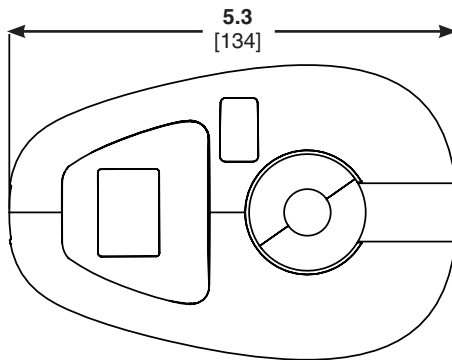
Value	Region	Cable Type
56.9	JAPAN	13245006 (VCT 5.5mm ² <PS> E FUJI E.W.C 2011)
60.4	JAPAN	5.5mm VCT <PS>E JCT TEIKOKU 2014 LFV [VCT 3x5.5 (WBG/Y)]
64.5	JAPAN	<PS>E MITSUBOSHI VCT 5.5mm 200 [VCT 3x5.5 (WBG)]
68.700	JAPAN	<PS> E JET HOKUETSU.D 2012 V7
92.500	JAPAN	<PS>E <> KAWAI VCT 2012 DAN-SOFT 3.5mm ² LFV-R
92.1	JAPAN	13245005 (VCT 3.5mm ² <PS> E FUJI E.W.C 2012)
102.2	JAPAN	<PS>E MITSUBOSHI VCT 3.5mm 2013 P [VCT 3.5x3 (WBG)]
119.100	JAPAN	T<PS>E JET YUKITA S.BAOXING.D.D.Z S-VCT 2.0mm ² 2013 LF
144.7	JAPAN	<PS> E JET HOKUETSU.D 2013 2.0mm ²
146.5	JAPAN	<PS>E JET YUKITA 300V 2013 LFV [VCTF (KZ-VCTFS-2M)]
147.3	JAPAN	13245007 (VCT 2mm ² <PS> E FUJI E.W.C 2012 -F-)
Not supported	JAPAN	<PS>E JET YUKITA VCT 2013 LFV) SVCT-IV

part numbers

Clamp Meter	
ZACLAMP-01	Clamp Meter
Included in SmartZone™ Rack Energy Kits	
RMSC2T2PCLA01	(2) Clamp Meter (non-invasive), (1) Gateway, (2) Temperature Sensors, and Rack Monitoring Software
SmartZone™ Gateway Devices	
ZARKMS-01-NA	SmartZone™ Gateway EP042 with IEC – NEMA 5-15 power cable
ZARKMS-01-UNI	SmartZone™ Gateway EP042 with IEC – IEC power cable
ZARKMS-01-99	SmartZone™ Gateway EP042 (no power cable)
ZAH13-01-NA	SmartZone™ Gateway EPA064 with IEC – NEMA 5-15 power cable
ZAH13-01-UNI	SmartZone™ Gateway EPA064 with IEC – IEC power cable
ZAH13-01-99	SmartZone™ Gateway EPA064 (no power cable)
ZAEI-01-NA	SmartZone™ Gateway EPA126 with IEC – NEMA 5-15 power cable
ZAEI-01-UNI	SmartZone™ Gateway EPA126 with IEC – IEC power cable
ZAEI-01-99	SmartZone™ Gateway EPA126 (no power cable)
ZAEIEXP01NA	SmartZone™ Gateway Expansion Unit EPAX18 with IEC – NEMA 5-15 power cable
ZAEIEXP01UNI	SmartZone™ Gateway Expansion Unit EPAX18 with IEC power leads
ZAEIEXP-01-99	SmartZone™ Gateway Expansion Unit EPAX18 (no power cable)

SmartZone™ Clamp Meter

clamp meter



Dimensions are in inches. [Dimensions in brackets are metric].

WORLDWIDE SUBSIDIARIES AND SALES OFFICES

PANDUIT CANADA
Markham, Ontario
cs-cdn@panduit.com
Phone: 800.777.3300

PANDUIT EUROPE LTD.
London, UK
cs-emea@panduit.com
Phone: 44.20.8601.7200

PANDUIT SINGAPORE PTE. LTD.
Republic of Singapore
cs-ap@panduit.com
Phone: 65.6305.7575

PANDUIT JAPAN
Tokyo, Japan
cs-japan@panduit.com
Phone: 81.3.6863.6000

PANDUIT LATIN AMERICA
Guadalajara, Mexico
cs-la@panduit.com
Phone: 52.33.3777.6000

PANDUIT AUSTRALIA PTY. LTD.
Victoria, Australia
cs-aus@panduit.com
Phone: 61.3.9794.9020

For a copy of Panduit product warranties, log on to www.panduit.com/warranty

For more information

Visit us at www.panduit.com

Contact Customer Service by email: cs@panduit.com
or by phone: 800.777.3300

PANDUIT®

©2014 Panduit Corp.
ALL RIGHTS RESERVED.
PVSP96--WW-ENG
8/2014