

CATALOG NO	FIG.	STUD THREADING	QTY	CONDUCTORS		CROSS BASE FLATS CF INCH [mm]	MINIMUM STUD LENGTH B MIN. INCH [mm]	BODY HEIGHT H INCH [mm]	OAL L INCH [mm]
				STRANDED	SOLID				
KC15	1	1/4-20 UNC 2A	1	9 AWG - 12 AWG	8 AWG - 12 AWG	.38 [10]	.37 [9]	.69 [18]	1.19 [30]
K2C15			2						
KC17	1	1/4-20 UNC 2A	1	7 AWG - 10 AWG	6 AWG - 10 AWG	.44 [11]	.37 [9]	.84 [21]	1.34 [34]
K2C17			2						
KC20	1	5/16-18 UNC 2A	1	5 AWG - 10 AWG	4 AWG - 10 AWG	.50 [13]	.41 [10]	.86 [22]	1.42 [36]
K2C20			2						
KC22	1	3/8-16 UNC 2A	1	3 AWG - 10 AWG	2 AWG - 10 AWG	.62 [16]	.46 [12]	1.00 [25]	1.62 [41]
K2C22			2						
KC23	1	3/8-16 UNC 2A	1	2 AWG - 8 AWG	1 AWG - 10 AWG	.62 [16]	.46 [12]	1.05 [27]	1.67 [42]
K2C23			2						
KC25	1	1/2-13 UNC 2A	1	1/0 AWG - 2 AWG	--	.75 [19]	.53 [13]	1.19 [30]	1.94 [49]
K2C25			2						
KC26	1	1/2-13 UNC 2A	1	2/0 AWG - 2 AWG	--	.88 [22]	.52 [13]	1.38 [35]	2.12 [54]
K2C26			2						
KC28	2	5/8-11 UNC 2A	1	4/0 AWG - 1 AWG	--	1.18 [30]	.75 [19]	1.94 [49]	2.95 [75]
K2C28			2						
KC31	2	5/8-11 UNC 2A	1	300 kcmil - 1 AWG	--	1.38 [35]	.75 [19]	2.19 [56]	3.29 [84]
K2C31			2						
KC34	2	3/4-10 UNC 2A	1	300 kcmil - 3/0 AWG	--	1.62 [41]	.99 [25]	2.38 [60]	3.52 [89]
K2C34			2						

REV	DATE	DESCRIPTION	ECO	BY	CHK.
D	02/13/2014	UPDATED AS PER MARKUP	34682	SVY	MB

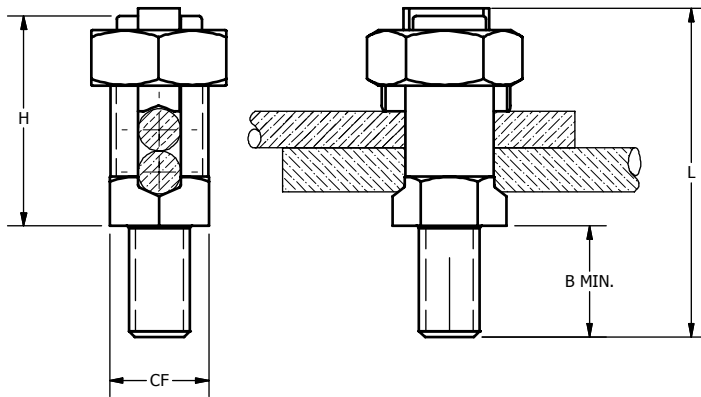


FIG.1

MACHINED PART: FOR ILLUSTRATION PURPOSES ONLY.  
REFER TO TABLE FOR ACTUAL SPECIFICATIONS.

**NOTES:**

- DIMENSIONS IN BRACKETS [ ] ARE IN MILLIMETERS ROUNDED OFF TO THE NEAREST MILLIMETER, UNLESS OTHERWISE SPECIFIED AND ARE FOR REFERENCE ONLY.
- ADD "TN" SUFFIX FOR TIN PLATED VERSION.

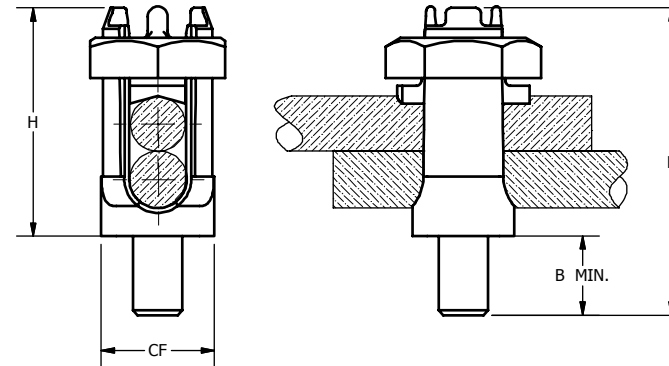


FIG.2

CAST PART: FOR ILLUSTRATION PURPOSES ONLY.  
REFER TO TABLE FOR ACTUAL SPECIFICATIONS.

TO ORDER BURNDY PRODUCTS CALL		KC/K2C SERVIT POST™	
UNITED STATES 1-800-346-4175 (LONDONDERRY, NH)		ITEM NO: --	
CANADA: 1-800-361-6975 (QUEBEC) 1-800-387-6487 (ALL OTHER PROVINCES)		CAT. NO: KC-- & K-2C-- (SEE TABLE)	
FOR PRODUCT INFO: <a href="http://www.burndy.com">http://www.burndy.com</a>		DRAWN BY: B. BOISVERT 8/5/2009	
		CHECKER: P. WASON 8/5/2009	
		DSN APRVL: P. WASON 7/30/2009	
		MFG APRVL:	
		QA APRVL:	
		MKT APRVL:	
		PROD PART: CM&R MECHANICAL	
		DRAWING NO	
		PROJECT #: --	
		SIZE	
		10020944	
		REV	
		D	
		SHEET 1 OF 1	