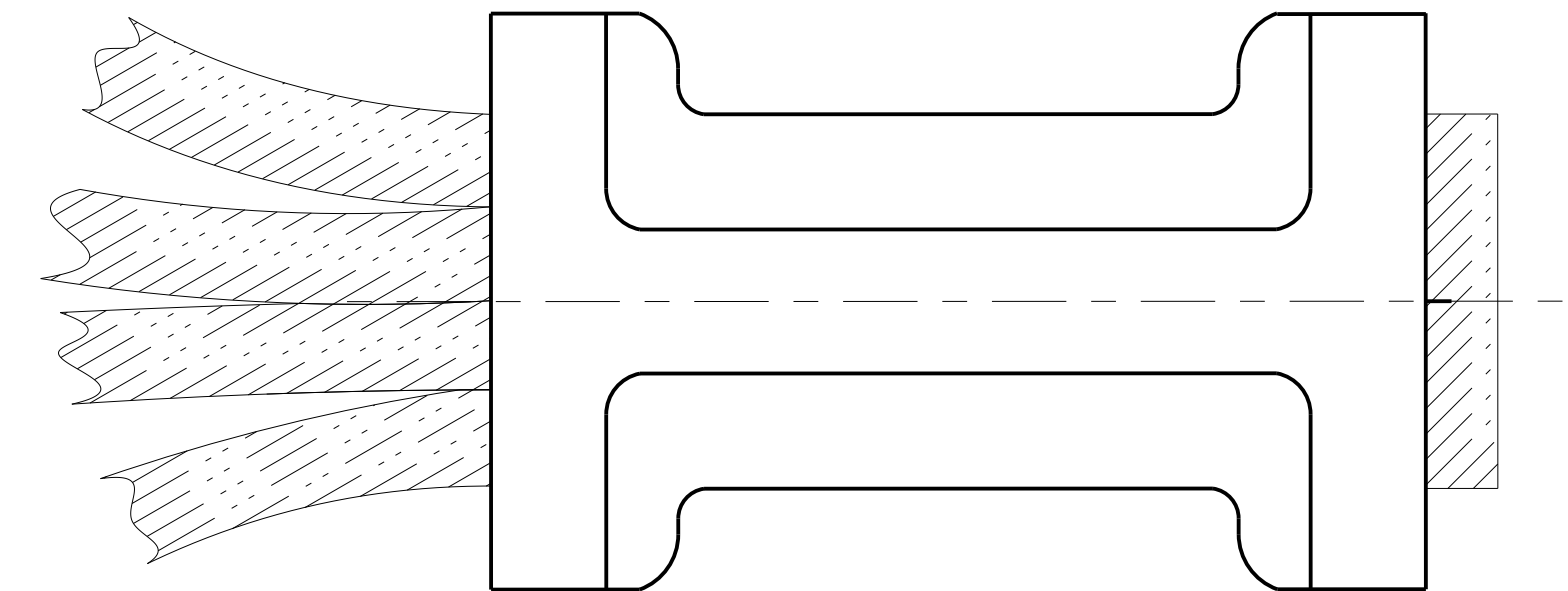


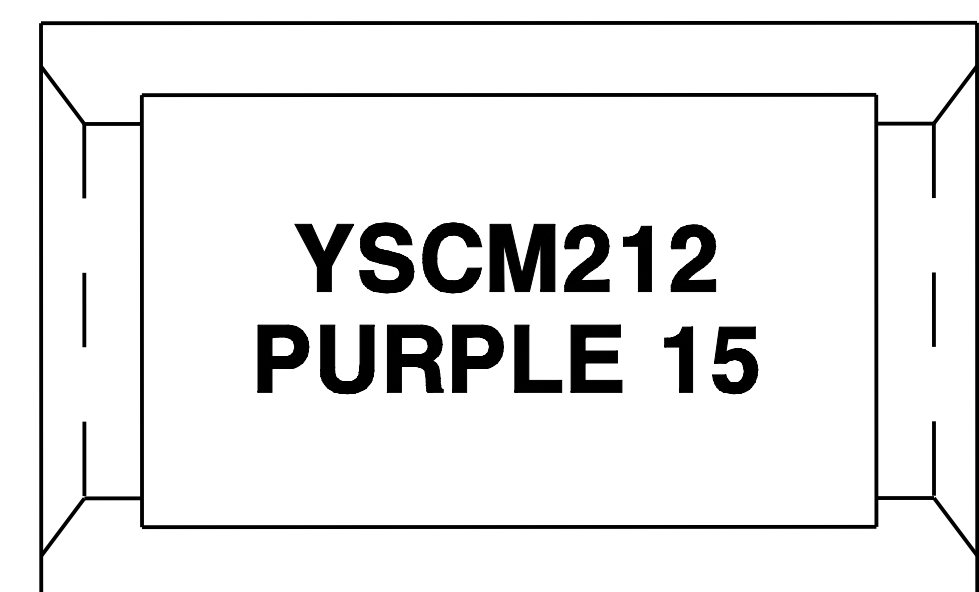
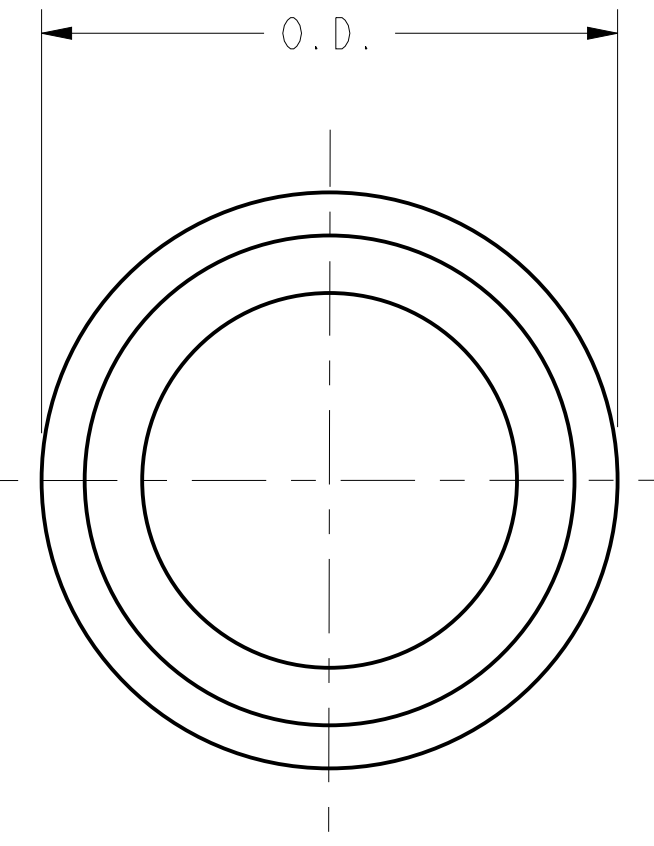
REV	DATE	DESCRIPTION	ECO	BY	CHK.
D	07/18/2012 00:00:00 AM	LOGO UPDATED	28140	DK	MA

CATALOG NUMBER	CONDUCTOR RANGE CABLE		DIMENSIONS		COLOR CODE	DIE INDEX	RECOMMENDED INSTALLATION TOOLING		WIRE STRIP LENGTH
	CIRCULAR MILLS		L ±.03	O.D. ±.01			HYPRESS™		
	MIN.	MAX.					OUR840, Y500CTHS PAT600, MD6, PATMD6.	Y35, Y39, Y750 Y46, PAT46, PAT750	
YSCM17	13,060	16,910	.50 [13]	.27 [7]	RED	49	X8CRT, W8CRT	U8CRT	11/16"
YSCM27	16,910	26,890	.50 [13]	.31 [8]	BLUE	7	X5CRT, W5CRT	U5CRT	11/16"
YSCM42	29,970	41,520	.50 [13]	.38 [10]	GRAY	8	X4CRT, W4CRT	U4CRT	11/16"
YSCM66	42,750	66,040	.62 [16]	.47 [12]	BROWN	10	X2CRT, W2CRT	U2CRT	3/4"
YSCM80	67,980	80,020	.62 [16]	.52 [13]	GREEN	11	X1CRT, W1CRT	U1CRT-1	3/4"
YSCM104	82,870	103,630	.69 [18]	.57 [14]	PINK	12	X25RT, W25RT	U25RT	15/16"
YSCM133	104,960	133,220	.81 [21]	.64 [16]	BLACK	13	X26RT, W26RT	U26RT	1-1/16"
YSCM167	134,340	166,560	.81 [21]	.70 [18]	ORANGE	14	X27RT, W27RT	U27RT	1-1/16"
YSCM212	167,380	211,820	.88 [22]	.78 [20]	PURPLE	15	X28RT, W28RT	U28RT	1-1/16"
YSCM231	230,800	230,800	1.05 [27]	.80 [20]	YELLOW	16	X29RT, W29RT	U29RT	1-1/16"



LAP SPLICE  
(TYPICAL INSTALLATION)

STRANDED COPPER WIRE (ASTM B8 EXCLUDING BREAKING LOADS)										
SIZE		A.S.T.M. STRANDINGS			SIZE		A.S.T.M. STRANDINGS			
STRANDED		CLASS	NO. OF WIRES	CABLE DIAMETER INCHES	STRANDED		CLASS	NO. OF WIRES	CABLE DIAMETER INCHES	
CIRCULAR MILLS	AWG				CIRCULAR MILLS	AWG				
1,022	20	B	7	0.036	3	52,630	3	B&A	7	0.260
1,624	18	B	7	0.045	6	66,370	2	AA	3	0.320
						66,370	2	B&A	7	0.292
2,583	16	B	7	0.057	6	83,690	1	AA	3	0.360
4,107	14	B	7	0.072	6	83,690	1	A	7	0.328
6,530	12	B	7	0.091	5	83,690	1	B	19	0.332
10,380	10	B	7	0.116						
13,090	9	B	7	0.130		105,500	1/0	A&A	7	0.368
16,510	8	B	7	0.146		105,500	1/0	--	12	0.390
						105,500	1/0	B	19	0.373
20,820	7	B	7	0.164		133,100	2/0	A&A	7	0.414
26,250	6	B	7	0.184		133,100	2/0	--	12	0.438
33,100	5	B	7	0.206		133,100	2/0	B	19	0.419
41,740	4	AA	3	0.254						
41,740	4	B&A	7	0.232		167,800	3/0	A&A	7	0.464
52,630	3	AA	3	0.285		167,800	3/0	--	12	0.492
						167,800	3/0	B	19	0.470
						211,600	4/0	A&A	7	0.522
						211,600	4/0	--	12	0.522
						211,600	4/0	B	19	0.528



- NOTES:
- MATERIAL: COPPER PER ASTM B75.
  - FINISH: TIN PLATED FOR NICKEL PLATING AT MINIMUM 200 MICRO INCHES THICK, ADD SUFFIX "NK" TO THE CAT. NO.
  - DIMENSIONS IN BRACKETS [ ] ARE IN MILLIMETERS ROUNDED OFF TO THE NEAREST MILLIMETER, UNLESS OTHERWISE NOTED, AND ARE FOR REFERENCE ONLY.
  - RECOMMENDED STRIP LENGTH. STRIP LENGTH DEPENDENT ON SIZE, NO. OF WIRES AND INSULATION THICKNESS.
  - REFER TO CIRCULAR MIL TABLE FOR TOTAL CLASS B CIRCULAR MIL CALCULATIONS.
  - ONE CIRCULAR MIL COMBINATION FOR THIS SIZE.
  - ALTERNATE MY29-3 TOOL APPROVED.
  - cULus LISTED WIRE CONNECTOR.
  - cULus LISTED FOR GROUNDING AND BONDING.

TO ORDER BURNDY® PRODUCTS CALL		HYLINK™, RANGE TAKING PARALLEL	
UNITED STATES 1-800-346-4175 (LONDONDERRY, NH)		ITEM NO: N/A	CAT. NO: YSM-- (TABLE)
CANADA: 1-800-361-6975 (QUEBEC) 1-800-387-6487 (ALL OTHER PROVINCES)		DRAWN BY: P LAPONIUS 8/25/03	CHECKER: D SHIBILIA 11/25/03
FOR PRODUCT INFO: <a href="http://www.burndy.com">http://www.burndy.com</a>		DSN APPVL: D SHIBILIA 9/11/03	MFG APPVL: --
		GA APPVL: J BRODEUR 11/24/03	MKT APPVL: A ZWIT 11/25/03
		PROD FAM: CM&R	SCALE: 1:1
		PROJECT #: --	SIZE: D
		DOCUMENT TYPE: Sales	DRAWING NO: 10033647
		REL LEVEL: Released	SHEET 1 OF 1

REV: PEG200