


CATALOG #	FIGURE #	DIMENSIONS (INCHES)				ACCOMMODATIONS 
		H	W	WI REF	L	
CCFBG-FR	3	1.16	.85	.76	3.63	FOR "H" COPPER CRIMPIT CONNECTORS, ONLY 3/4 INCH LONG INSTALLED. USE WITH; YH8C8C, YH6C6C
CCFO-FR	2	1.44	1.21	1.09	4.42	FOR "H" COPPER CRIMPIT CONNECTORS, 1 INCH LONG INSTALLED. USE WITH; YH2C2C, YHC2T2C
CCFD-FR	2	1.82	1.48	1.36	5.06	FOR "H" COPPER CRIMPIT CONNECTORS, 1-1/8 INCH LONG INSTALLED. USE WITH; YH2929, -292C, -298C, YHC29TC29, -29TC2.
CCFDX-FR	2	2.46	1.57	1.45	6.00	FOR "H" COPPER CRIMPIT CONNECTORS, 1-1/8 INCH LONG INSTALLED USE WITH YH2929.
CCFN-FR	2	2.76	2.05	1.85	7.25	FOR "H" COPPER CRIMPIT CONNECTORS, 1-1/4 INCH LONG INSTALLED. USE WITH; YH3434, -3429, YHC34TC34, -34TC29, -34TC2.
CCFR-FR	1	3.66	2.58	2.38	8.63	FOR "H" COPPER CRIMPIT CONNECTORS, 1-1/2 INCH LONG INSTALLED. USE WITH; YH4444, -4429, -3939, -3931, YHC44TC44, -39TC39, 39TC31, -39TC2.

REV.	DATE	DESCRIPTION	ECO	BY	C'H'K.
C	3/30/2007 1:33:00 PM	ADDED COVER CCFDX-FR	13926	ATM	DS

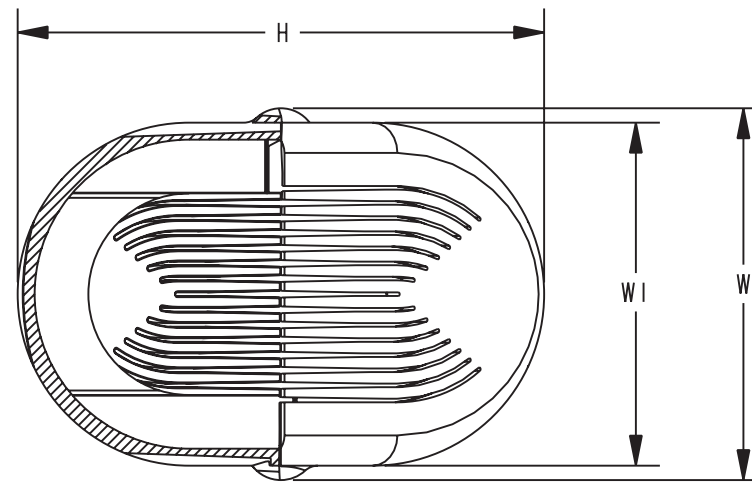
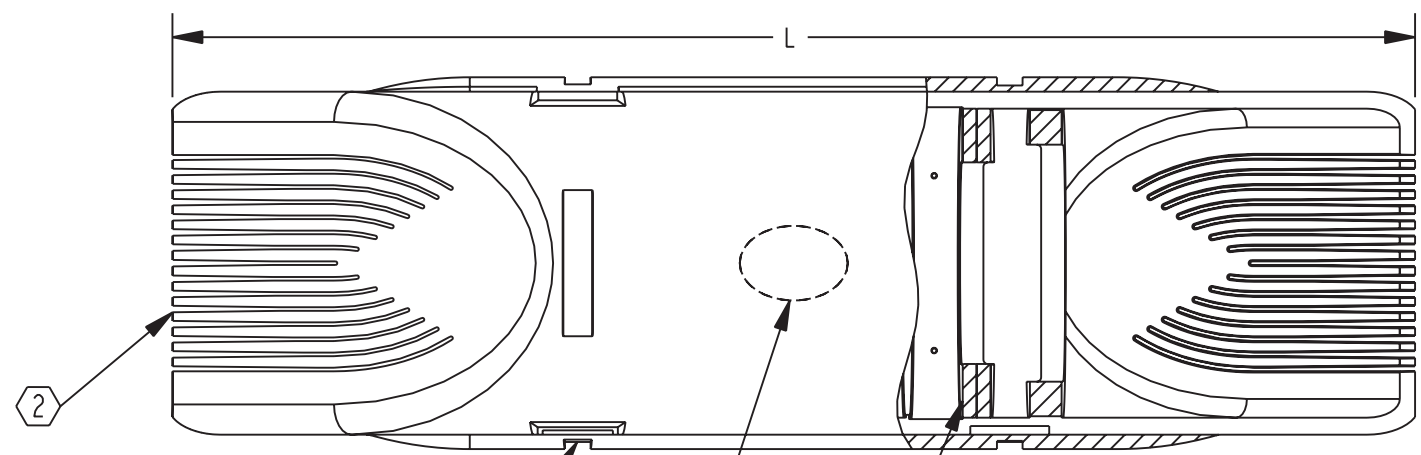
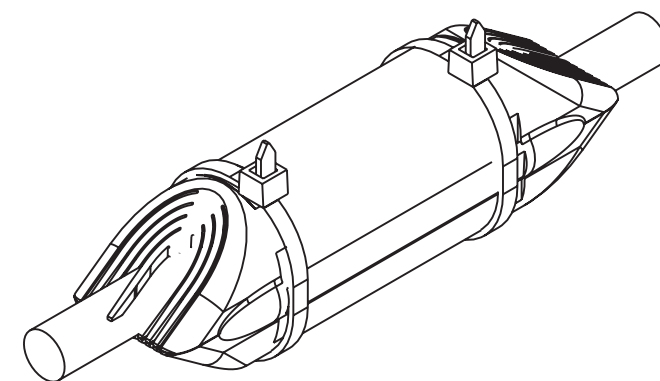


FIGURE 1  
(COVERS SHOWN IN LATCHED POSITION)

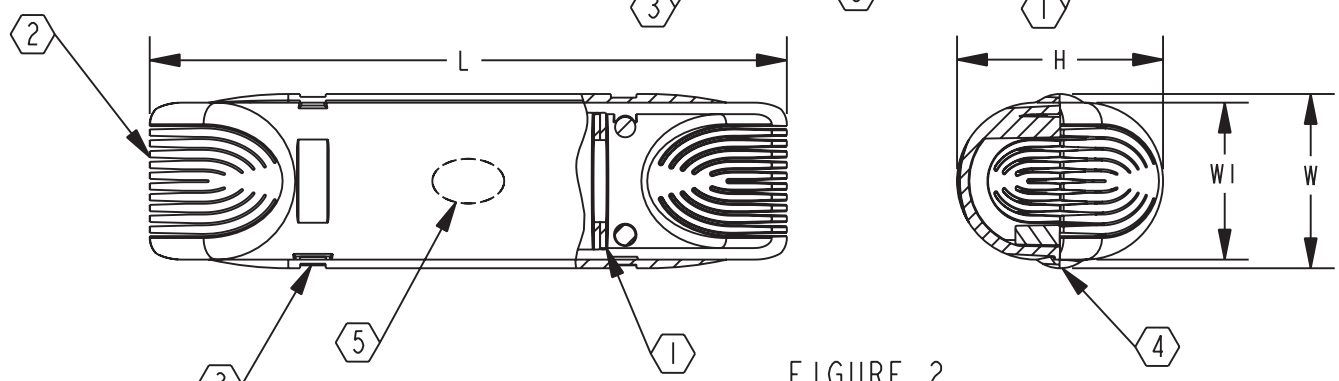


FIGURE 2  
(COVERS SHOWN IN LATCHED POSITION)

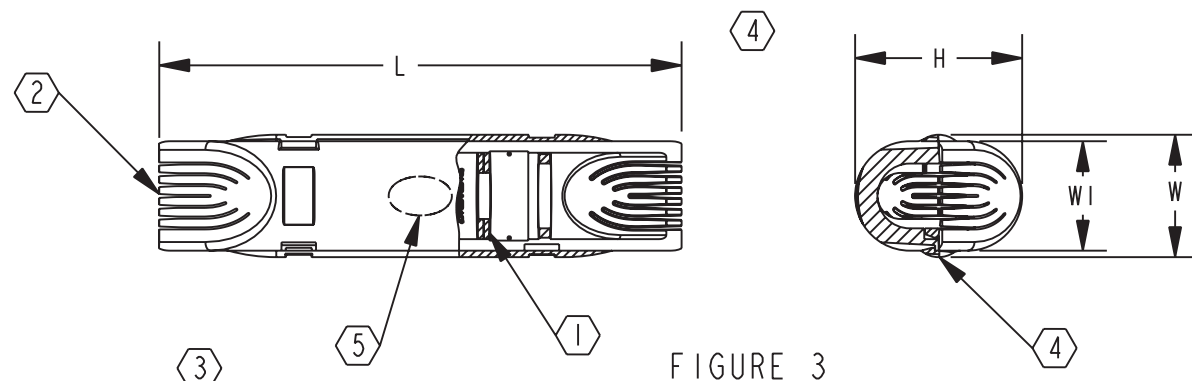


FIGURE 3  
(COVERS SHOWN IN LATCHED POSITION)

NOTES:

1. BARE CONDUCTOR MUST NOT EXCEED .125 BEYOND ENDS OF CRIMPED CONNECTOR.


2. MATERIAL SPECIFICATION:  
CCF\_-FR SERIES = FLAME RETARDANT, CLEAR POLYCARBONATE.

3. FUNCTIONAL SPECIFICATIONS:  
MAXIMUM VOLTAGE = 600 VOLTS  
MAXIMUM OPERATING TEMPERATURE = 90°C  
FLAME RETARDANT, CCF\_-FR  
MATERIAL IS UL94 V-O RATED

4. SEE ALSO SD206566, SD206624.

FEATURES:

- 1 CONNECTOR END STOPS
- 2 FLEXIBLE FINGERS
- 3 SNAP TIGHT LATCHES
- 4 2 PIECE CONSTRUCTION
- 5 MAGNIFYING LENS
- 6 ALL COVERS ARE U.L. AND CSA LISTED

TO ORDER BURNDY PRODUCTS CALL 1-800-346-4175 MANCHESTER, NH 03109, USA FOR PRODUCT INFO = <a href="http://www.fciconnect.com">http://www.fciconnect.com</a>			
CCF - COVERS			
ITEM NO: N/A			
CAT. NO: CF - SEE TABLE			
DRAWN BY: T. FAUCHER	12/28/2005 8:12:00 AM		SCALE: 1:1
CHECKER: D. SHIBILIA	1/9/2006 1:38:00 PM		
DSN APPVL: D. SHIBILIA	1/4/2006 1:37:00 PM		
MFG APPVL: R. PHELPS	1/7/2006 1:38:00 PM		
QA APPVL: J. BRODEUR	1/5/2006 1:38:00 PM		
MKT APPVL: R. BROOKS	1/4/2006 1:38:00 PM		
PROJ #:	SIZE		
13140	B	10064550	C
DOCUMENT TYPE: Production			
REL LEVEL: Released			

REV: PE0200